

*Larry's* THUNDERBIRD  
& MUSTANG  
PARTS

Featuring  
Outstanding  
Prices &  
More Parts  
Than Ever!



*Serving Mustang  
Enthusiasts for  
Over 40 Years!*



"Like Us" on Facebook

RESTORATION PARTS & ACCESSORIES FOR  
1965-73

# Mustangs

# WELCOME TO LARRY'S THUNDERBIRD & MUSTANG PARTS



## Ordering

(U.S.) 800 854-0393

951-270-3223

(24 Hr. FAX) 951-270-3224

Web Site

[www.larrystbird.com](http://www.larrystbird.com)

e-mail: [info@larrystbird.com](mailto:info@larrystbird.com)

## Our Address

1180 California Ave. #B  
Corona, California 92881

## Store Hours:

Monday - Friday: 7am to 5pm



## After More Than 40 Years, We Are Still Recognized as The Leader in the Industry!

We'd like to thank you for requesting our latest Parts & Accessories Catalog for '65-73 Mustangs. We think you'll find this latest edition to be better than ever, with many new parts added to help your restoration project move forward. We continually strive to offer enthusiasts the finest selection of Mustang parts and accessories available so that each restoration project is an enjoyable experience. Because of your continued patronage, we are able to offer great prices on every item we sell. In fact, we have reduced prices on a number of parts, which means greater buying power for you, our valued customer.

## The Biggest Selection of Parts! And We're Still Growing!

Whether it's a hard to find part or a standard Thunderbird replacement part, Larry's has what you're looking for. Our inventory of parts is concours-quality, and growing all of the time! Give us a call if you can't find the parts you need. Our knowledgeable parts specialists will be happy to help you find them!

## Ordering Is As Easy as a Phone Call Away!

And Now Find Us On the Internet at [www.larrystbird.com](http://www.larrystbird.com)

We offer a number of different ways for you to place your order. You may send in your order on the form enclosed, call in your order using our Toll-Free lines, FAX an order, or order from our website at [www.larrystbird.com](http://www.larrystbird.com). If you need more information via e-mail, contact us at: [info@larrystbird.com](mailto:info@larrystbird.com). Whichever route you choose, we'll process and ship your order as soon as possible.

## A Guarantee Goes Along with Everything We Sell!

Our goal is to make sure each customer is 100% satisfied with every purchase from Larry's Thunderbird & Mustang Parts! If you are not happy with your purchase, for any reason, let us know! We'll be happy to either refund, credit, or exchange the amount. Please take a moment to refer to the Ordering Information page in the center of this catalog for complete details on returns, damaged parts, or any other shipping questions.

## Speedy & Efficient Shipping

Every order we receive gets special attention from the time it comes in to the moment it leaves our warehouse. Need special shipping arrangements? We offer Fed-Ex One Day, Two Day & Three Day Service when requested, as well as regular Fed-Ex Ground Service. Count on our efficient shipping department to get your order to you on time!



# What's New for 1965/73 Mustangs!

**Engine Oil Filter** *Page 36*

**Headlight Switch Nut** *Page 58, 67*

**Ignition Switch Pigtail** *Page 74*

**Instrument Panel Voltage Regulator**  
*Page 81*

**Instrument Cluster Printed  
Circuit Board** *Page 82*

**Windshield Wiper Switch Chrome Nut**  
*Page 84*

**Wiper Motor to Under Dash Loom** *Page 84*

**Window Handle Knob** *Page 97*

**Convertible Top Front Latch Assy.** *Page 112*

**Larry's Logo Hats** *Page 144*



**GO FOR THE QUALITY**

**WE ALSO SELL USED PARTS**

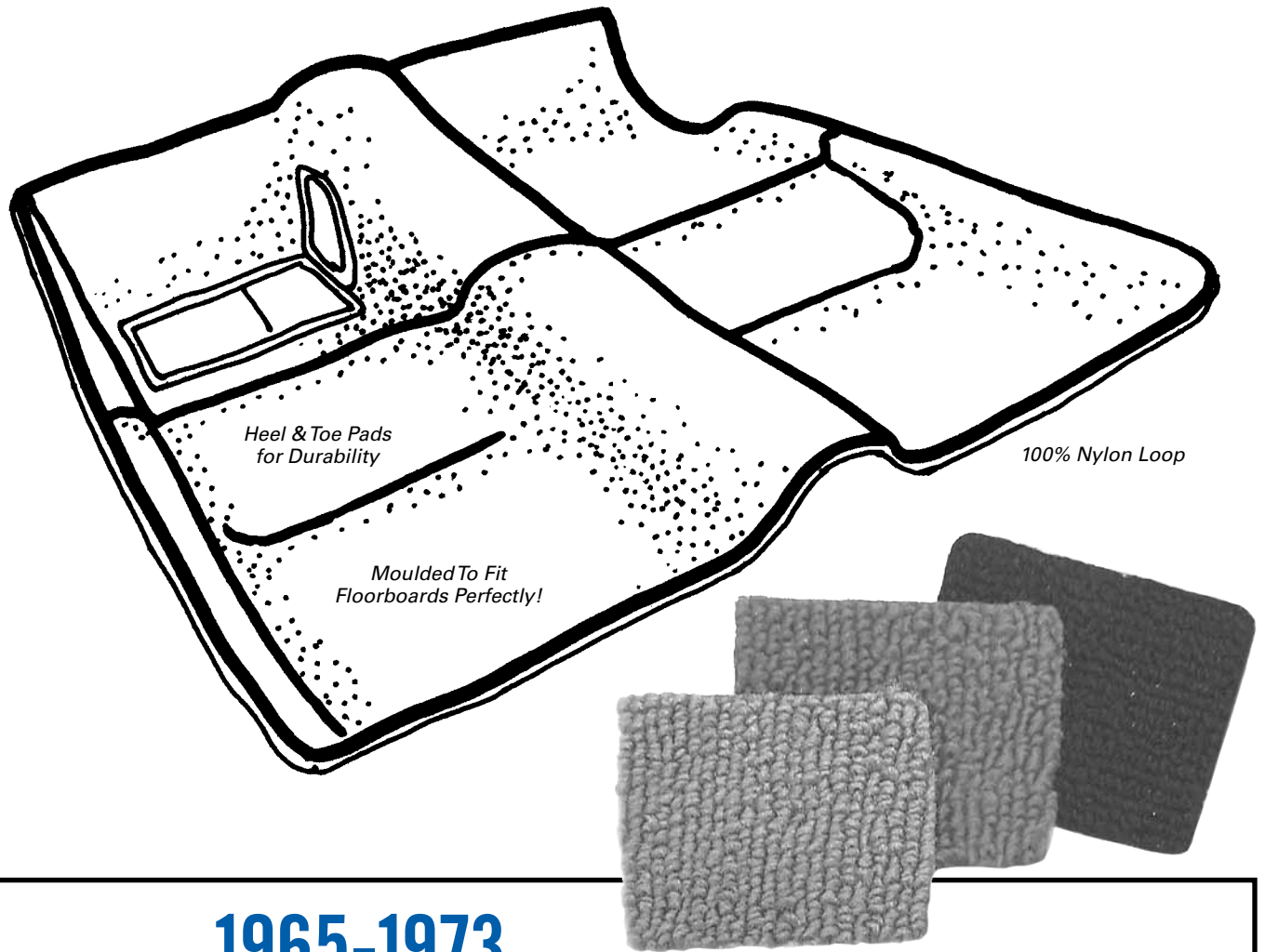
**Mustang Customers Please Note:** Throughout the catalog you will notice a number of parts that are underlined. This designates the part as being obsolete and is limited in quantities. If you are interested in purchasing that particular part, we advise you to call and check on it's availability. A number of these parts are in demand so it's often wise to place your order as soon as possible.

**About Our Pricing:** At Larry's we strive to maintain the lowest prices possible. However, due to constantly changing market conditions, we are not always able to maintain prices listed in this catalog. We reserve the right to change prices without prior notice. Thank you for your understanding.

## Table of Contents

Upholstery & Related Parts.....	2
Wheels & Wheel Covers.....	14
Spare Wheel.....	15
Brake System.....	16
Suspension.....	20
Steering.....	24
Rear Axle & Drive Train.....	28
Exhaust System.....	29
Engine.....	33
Transmission.....	39
Cooling System & Grille.....	43
Fuel & Carburetor System.....	47
Windshield, Windwings & Visors.....	52
Dash, Console & Underdash Area ...	54
Generator & Alternator.....	63
Battery.....	64
Starter.....	64
Ignition & Distributor.....	65
Exterior Lights.....	67
Turn Signal & Horn.....	70
Bulbs & Fuses.....	72
Wiring.....	73
Fenders & Hood Area.....	75
Instruments & Gauges.....	81
Windshield Wipers & Washer.....	83
Mirrors.....	85
Bumpers.....	86
Heating, Ventilation & A/C.....	88
Stripe Kits.....	90
Doors & Windows.....	91
Rear Quarter Panel.....	103
Trunk & Rear Body Area.....	105
Hard & Soft Top Parts.....	110
Seat Hardware.....	114
Plugs, Grommets & Bumpers.....	115
Body Weatherstrip.....	116
Body Panels.....	120
Hardware & Attaching Parts.....	124
Decals.....	126
Emblems.....	130
Literature & Manuals.....	135
Accessories.....	141
Car Care.....	146
Radio.....	147
Paints & Dyes.....	151

# Install Carpet that is Completely Authentic in Appearance & Fit.



## 1965-1973 Moulded Carpet Sets Fit Like a Glove!

Larry's **Moulded Carpet Sets** for '65 through '73 Mustangs are moulded and trimmed to fit just like the authentic original production carpets - only better! Carpet sets are made of tough 100% nylon-loop construction for long-lasting durability and moulded to fit the contours of your floor pan. Includes **Sewn-In Heel/Toe Pads**, **Jute Pad Backing**, **Guide Hole** cut for gear shift selector and **Serge-Bound Edging** to avoid fraying. Installation is easy, as the carpet lays right into place, then attach all other trim items and your job is complete!

**Moulded Carpet Sets are available in the Following Colors:** Dark Aqua, Aqua, Black, Light Blue, Medium Blue, Dark Blue, Emberglo, Dark Green, Moss Green, Olive Green, Maroon, Red, Ivy Gold, Fawn, Parchment, Dark Saddle & Medium Saddle. **Please Be Sure to Specify Body Style & Color When Ordering.** We suggest you order Kick Panel Carpet Sets (**Pony Interior**) when Ordering Carpet Sets for Color-Match Purposes.

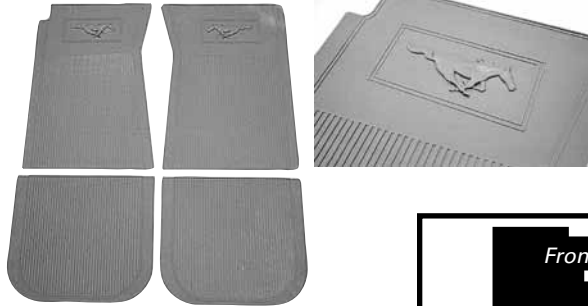
(MMC)	65-68; Coupe, Convertible Or Fastback.....	142.95
(MMC)	69-73; Coupe, Convertible Or Fastback.....	142.95
*Note: Carpets Come As A Complete Set - (Front & Rear).		
(MFD)	Fold-Down Carpet. Specify Color.....	49.95

# UPHOLSTERY & RELATED TRIM

## Custom-Fit Floor Mats Help Preserve Your Carpet's Like-New Appearance!

Keep your Mustang's carpet looking fresh all year long. Our Original-Style Floor Mats are manufactured to the exact specifications. Also try our Carpet/Rubber Combination which adds a more modern look.

**Original-Style Rubber Throw Mats- A Solid Investment!**  
Made of heavy-weight rubber (almost 18 lbs. worth!) and fits years 1965 through '73. These are the ultimate in mats for your Mustang!



**Black Carpet Throw Mats-**  
Made of high quality nylon/rayon mix for durability and comes with the silver Running Horse and red, white & Blue stripes embroidered on the fronts.



**M 13106X..... Set 115.95**

M 13106BK	Black, Front & Rear.....	Set	59.95
M 13106BN	Brown, Front & Rear .....	Set	59.95
M 13106MB	Medium Blue, Front & Rear.....	Set	59.95
M 13106GN	Green, Front & Rear .....	Set	59.95
M 13106MN	Maroon/Dark Red, Front & Rear.....	Set	59.95
M 13106RD	Bright Red, Front & Rear.....	Set	59.95

### Authentic Moulded Carpet For 69/73 Mach I.

The same top-quality carpet that you'll find in all of our Carpet Sets can be found in our **Moulded Carpet Sets (MMC) for '69-73 Mach I's**. Sets are complete with 2 or 4 Heel Pads located in original factory positions. Available In All Original Colors. **Specify Year & Color When Ordering.**

69	Includes 4 Heel Pads (colored same as carpet) Specify Color.....	219.95
70	Includes 2 Heel Pads (colored same as carpet) Specify Color.....	219.95
71/73	Includes 2 Black Heel Pads, with Horse embossed on each pad Specify Color.....	219.95
69/73	Fold-Down Area Carpet. Specify Color.....	49.95

### Kick Panel Carpet-Pony Interior

#### Kick Panel Carpets For Moulded Carpet Sets (MKC)

Authentic reproductions that are manufactured exactly to fit your Mustang's dimensions. Kick Panel Carpets are bound on the edges and are ready for immediate installation. Available in colors to match our Moulded Carpet Sets.

65/66 Specify Year, Color & Body Style.....Pair 24.95

\*We Suggest You Order Kick Panel Carpets With Carpet Sets For Color-Match Purposes.

#### Pony Kick Panel Carpet Mouldings

M 02346A ..... Pair 18.63

\*We Suggest You Order Kick Panel Carpets With Carpet Sets For Color-Match Purposes.



## Under-Carpet Sound Proofing & Insulation

Not only does our Sound Proofing & Insulation help protect you from heat, cold and noise, but helps your carpet fit into place better!

MSD-200	65/68; (Coupe) Includes Front/Rear Floors, Under Rear Seat, Behind Rear Seat & Trunk Floor	74.95
MSD-300	65/68; (Convertible) Includes Front/Rear Floors, Under Rear Seat & Trunk Floor .....	74.95
MSD-400	65/68; (Fastback) Includes Front/Rear Floors, Under Rear Seat & Trunk Floor .....	74.95
MSD-500	69/73; (Coupe) Includes Front/Rear Floors, Under Rear Seat, Behind Rear Seat & Trunk Floor	74.95
MSD-600	69/73; (Convertible) Includes Front/Rear Floors, Under Rear Seat & Trunk Floor .....	74.95
MSD-700	69/73; (Fastback) Includes Front/Rear Floors, Under Rear Seat & Trunk Floor .....	74.95

## Hush Mat

*For the best in sound and thermal insulation treat your vehicle with a combination of HushMat products designed to address specific noise levels and frequencies and heat.*

**Door Kit**—Is configured to effectively treat two doors. You will notice a significant difference!

**Trunk Kit**—Is configured to effectively treat the trunk floor, spare tire well, rear quarter panels, rear deck.

**Floor/Dash Kit**—Is configured to treat the front of the dash panel, driver front and rear floor, passenger front and rear floor, tunnel and interior side of the rear tire wells.

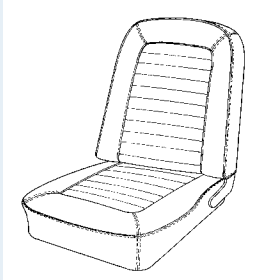
**A Bulk Kit**—contains enough Ultra material to treat approximately 60% of the sheet metal surface area. Utilize a Bulk Kit to supplement the other kits above.

**Quiet Tape**—Secures wire harnesses and cables to door panels, floor, trim panels, back of the headliner and vehicle side walls.

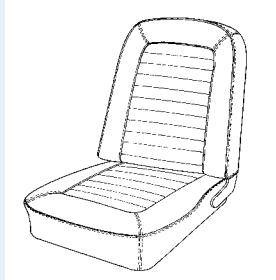
**Ultra Sealing Paste**—Apply to body seams to prevent leaks into the interior, to dampen hard to reach areas of the vehicle such as outer door skins, quarter panel skins and the trunk lid skin above the trunk lid frame.

MAC HMA	Door Kit, 10 Square Feet .....	Kit	89.95
MAC HMB	Trunk Kit, 19 Square Feet .....	Kit	139.95
MAC HMC	Floor/Dash Kit, 38 Square Feet .....	Kit	249.95
MAC HMD	Bulk Kit, 58 Square Feet .....	Kit	399.95
MAC HME	Quiet Tape, 1" x 30' .....	Roll	49.95
MAC HMF	Ultra Sealing Paste, Pint Tube.....	Tube	29.95

## 1965/68 Standard Vinyl Seat Cover Sets



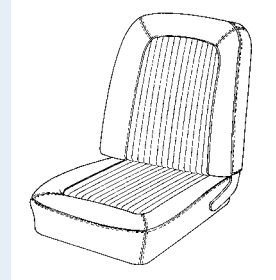
1965 Standard



1966 Standard



1967 Standard



1968 Standard

If you are looking for some completely original-style seat cover sets for your '65/69 Mustang, look no further! Larry's offers the finest in craftsmanship and authenticity. Each set is constructed with the sturdiest vinyls available, with correct grains and colors. Each Standard Seat Cover Set is

carefully hand-crafted with welt and seams finished to original specifications

**\*Note: We Suggest you order Full Seat Cover Sets for Color-Match Purposes.**

### [Front & Rear Set]

MSC SFR6563BK	65	Black	2 + 2.....Set	215.00
MSC SFR6563BU	65	Blue	2 + 2.....Set	215.00
MSC SFR6563IG	65	Ivy Gold	2 + 2.....Set	215.00
MSC SFR6563PO	65	Palomino	2 + 2.....Set	215.00
MSC SFR6563RD	65	Red	2 + 2.....Set	215.00
MSC SFR6563WT	65	White	2 + 2.....Set	215.00
MSC SFR6565BK	65	Black	Coupe.....Set	215.00
MSC SFR6565BU	65	Blue	Coupe.....Set	215.00
MSC SFR6565IG	65	Ivy Gold	Coupe.....Set	215.00
MSC SFR6565PO	65	Palomino	Coupe.....Set	215.00
MSC SFR6565RD	65	Red	Coupe.....Set	215.00
MSC SFR6565WT	65	White	Coupe.....Set	215.00
MSC SFR6576BK	65	Black	Convertible.....Set	215.00
MSC SFR6576BU	65	Blue	Convertible.....Set	215.00
MSC SFR6576IG	65	Ivy Gold	Convertible.....Set	215.00
MSC SFR6576PO	65	Palomino	Convertible.....Set	215.00
MSC SFR6576RD	65	Red	Convertible.....Set	215.00
MSC SFR6576WT	65	White	Convertible.....Set	215.00
MSC SFR6663AQ	66	Aqua	2 + 2.....Set	215.00
MSC SFR6663BK	66	Black	2 + 2.....Set	215.00
MSC SFR6663BU	66	Blue	2 + 2.....Set	215.00
MSC SFR6663PT	66	Parchment	2 + 2.....Set	215.00
MSC SFR6663RD	66	Red	2 + 2.....Set	215.00
MSC SFR6665AQ	66	Aqua	Coupe.....Set	215.00
MSC SFR6665BK	66	Black	Coupe.....Set	215.00
MSC SFR6665BU	66	Blue	Coupe.....Set	215.00
MSC SFR6665PT	66	Parchment	Coupe.....Set	215.00
MSC SFR6665RD	66	Red	Coupe.....Set	215.00
MSC SFR6676AQ	66	Aqua	Convertible.....Set	215.00
MSC SFR6676BK	66	Black	Convertible.....Set	215.00
MSC SFR6676BU	66	Blue	Convertible.....Set	215.00
MSC SFR6676PT	66	Parchment	Convertible.....Set	215.00
MSC SFR6676RD	66	Red	Convertible.....Set	215.00
MSC SFR6763AQ	67	Aqua	2 + 2.....Set	215.00
MSC SFR6763BK	67	Black	2 + 2.....Set	215.00
MSC SFR6763BU	67	Blue	2 + 2.....Set	215.00
MSC SFR6763IG	67	Ivy Gold	2 + 2.....Set	215.00
MSC SFR6763PT	67	Parchment	2 + 2.....Set	215.00
MSC SFR6763RD	67	Red	2 + 2.....Set	215.00
MSC SFR6763SD	67	Saddle	2 + 2.....Set	215.00

### Seat Covers are also available in Front Only Sets.

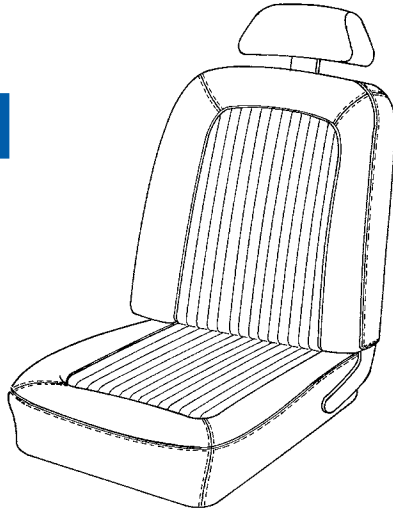
Available in colors listed below.

MSC SF 65/68..... 145.00

MSC SFR6765AQ	67	Aqua	Coupe.....Set	215.00
MSC SFR6765BK	67	Black	Coupe.....Set	215.00
MSC SFR6765BU	67	Blue	Coupe.....Set	215.00
MSC SFR6765IG	67	Ivy Gold	Coupe.....Set	215.00
MSC SFR6765PT	67	Parchment	Coupe.....Set	215.00
MSC SFR6765MN	67	Maroon	Coupe.....Set	215.00
MSC SFR6765SD	67	Saddle	Coupe.....Set	215.00
MSC SFR6776AQ	67	Aqua	Convertible.....Set	215.00
MSC SFR6776BK	67	Black	Convertible.....Set	215.00
MSC SFR6776BU	67	Blue	Convertible.....Set	215.00
MSC SFR6776IG	67	Ivy Gold	Convertible.....Set	215.00
MSC SFR6776PT	67	Parchment	Convertible.....Set	215.00
MSC SFR6776RD	67	Red	Convertible.....Set	215.00
MSC SFR6776SD	67	Saddle	Convertible.....Set	215.00
MSC SFR6863AQ	68	Aqua	2 + 2.....Set	215.00
MSC SFR6863BK	68	Black	2 + 2.....Set	215.00
MSC SFR6863BU	68	Blue	2 + 2.....Set	215.00
MSC SFR6863IG	68	Ivy Gold	2 + 2.....Set	215.00
MSC SFR6863NG	68	Nugget Gold	2 + 2.....Set	215.00
MSC SFR6863PT	68	Parchment	2 + 2.....Set	215.00
MSC SFR6863RD	68	Red	2 + 2.....Set	215.00
MSC SFR6863SD	68	Saddle	2 + 2.....Set	215.00
MSC SFR6865AQ	68	Aqua	Coupe.....Set	215.00
MSC SFR6865BK	68	Black	Coupe.....Set	215.00
MSC SFR6865BU	68	Blue	Coupe.....Set	215.00
MSC SFR6865IG	68	Ivy Gold	Coupe.....Set	215.00
MSC SFR6865MN	68	Maroon	Coupe.....Set	215.00
MSC SFR6865NG	68	Nugget Gold	Coupe.....Set	215.00
MSC SFR6865PT	68	Parchment	Coupe.....Set	215.00
MSC SFR6865SD	68	Saddle	Coupe.....Set	215.00
MSC SFR6876AQ	68	Aqua	Convertible.....Set	215.00
MSC SFR6876BK	68	Black	Convertible.....Set	215.00
MSC SFR6876BU	68	Blue	Convertible.....Set	215.00
MSC SFR6876IG	68	Ivy Gold	Convertible.....Set	215.00
MSC SFR6876NG	68	Nugget Gold	Convertible.....Set	215.00
MSC SFR6876PT	68	Parchment	Convertible.....Set	215.00
MSC SFR6876RD	68	Red	Convertible.....Set	215.00
MSC SFR6876SD	68	Saddle	Convertible.....Set	215.00

# UPHOLSTERY & RELATED TRIM

## 1969 Standard Vinyl Seat Covers



### Front Only

MSC69SF Two Buckets Only ..... Set 121.99  
Colors available as shown in sets below.

### Front & Rear Set

MSC SFR6963BK	69	Black	2 + 2 .....	Set	215.00
MSC SFR6963BU	69	Blue	2 + 2 .....	Set	215.00
MSC SFR6963IG	69	Ivy Gold	2 + 2 .....	Set	215.00
MSC SFR6963MN	69	Maroon	2 + 2 .....	Set	215.00
MSC SFR6963NG	69	Nugget Gold	2 + 2 .....	Set	215.00
MSC SFR6965BK	69	Black	Coupe .....	Set	215.00
MSC SFR6965BU	69	Blue	Coupe .....	Set	215.00
MSC SFR6965IG	69	Ivy Gold	Coupe .....	Set	215.00
MSC SFR6965NG	69	Nugget Gold	Coupe .....	Set	215.00
MSC SFR6965RD	69	Red	Coupe .....	Set	215.00
MSC SFR6976BK	69	Black	Convertible.....	Set	215.00
MSC SFR6976BU	69	Blue	Convertible.....	Set	215.00
MSC SFR6976IG	69	Ivy Gold	Convertible.....	Set	215.00
MSC SFR6976NG	69	Nugget Gold	Convertible.....	Set	215.00
MSC SFR6976RD	69	Red	Convertible.....	Set	215.00

## 1965/66 Pony Interior Seat Cover Sets



We are your source for upholstery on '65/'66 Mustangs with Pony Interiors. Pony Seat Covers are manufactured to the same exacting standards as all of our Mustang upholstery items. Pony Seat Covers Feature Premium Grade Vinyls, Proper Grain Patterns & Detailed Craftsmanship!

1965	Black, White, Blue/ White, Red, Palomino & Ivy Gold/White.
1966	Black, Parchment, Blue/White, Red, Aqua/White & Emberglo/Parchment.

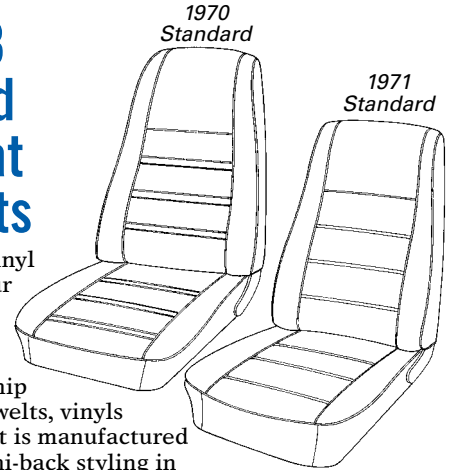
MSC PF	Two Buckets Only .....	195.00
MSC PFR	Complete Set, With Front Buckets.....	269.95

\*Note: We Suggest You Order Full Seat Cover Sets For Color-Match Purposes.  
See Page 125 For Attaching Parts Kits MHK 9, 10, 11, 17, 19, 50, 114, 277 & 279

## 1970/73 Standard Vinyl Seat Cover Sets

Larry's Standard Vinyl Seat Covers for your '70/'73 Mustang are the finest on the market! You'll find superb craftsmanship

in seams, threads, welts, vinyls and colors. Each set is manufactured to match original hi-back styling in every way possible. \*Note: We suggest you order Full Seat Cover Sets for Color-Match Purposes.



### Front Only

MSC SF Two Buckets Only .....Set 185.00  
Colors available as shown in sets below.

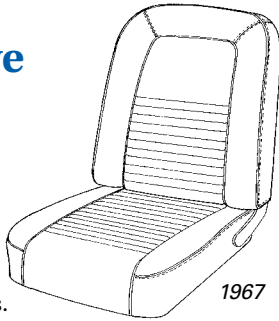
### Front & Rear Set

MSC SFR7063BK	70	Black	2 + 2 .....	Set	245.00
MSC SFR7063BU	70	Blue	2 + 2 .....	Set	245.00
MSC SFR7063DKGN	70	Dk. Green	2 + 2 .....	Set	245.00
MSC SFR7063GI	70	Ginger	2 + 2 .....	Set	245.00
MSC SFR7063MDGN	70	Med. Green	2 + 2 .....	Set	245.00
MSC SFR7063RD	70	Red	2 + 2 .....	Set	245.00
MSC SFR7063WT	70	White	2 + 2 .....	Set	245.00
MSC SFR7065BK	70	Black	Coupe .....	Set	245.00
MSC SFR7065BU	70	Blue	Coupe .....	Set	245.00
MSC SFR7065DKGN	70	Dk. Green	Coupe .....	Set	245.00
MSC SFR7065GI	70	Ginger	Coupe .....	Set	245.00
MSC SFR7065MDGN	70	Med. Green	Coupe .....	Set	245.00
MSC SFR7065RD	70	Red	Coupe .....	Set	245.00
MSC SFR7065WT	70	White	Coupe .....	Set	245.00
MSC SFR7076BK	70	Black	Conv. ....	Set	245.00
MSC SFR7076BU	70	Blue	Conv. ....	Set	245.00
MSC SFR7076DKGN	70	Dk. Green	Conv. ....	Set	245.00
MSC SFR7076GI	70	Ginger	Conv. ....	Set	245.00
MSC SFR7076MDGN	70	Med. Green	Conv. ....	Set	245.00
MSC SFR7076RD	70	Red	Conv. ....	Set	245.00
MSC SFR7076WT	70	White	Conv. ....	Set	245.00
MSC SFR7163BK	71/73	Black	2 + 2 .....	Set	245.00
MSC SFR7163BU	71/73	Blue	2 + 2 .....	Set	245.00
MSC SFR7163DKGN	71/73	Dk. Green	2 + 2 .....	Set	245.00
MSC SFR7163GI	71/73	Ginger	2 + 2 .....	Set	245.00
MSC SFR7163MDGN	71/73	Med. Green	2 + 2 .....	Set	245.00
MSC SFR7163RD	71/73	Red	2 + 2 .....	Set	245.00
MSC SFR7163WT	71/73	White	2 + 2 .....	Set	245.00
MSC SFR7165BK	71/73	Black	Coupe .....	Set	245.00
MSC SFR7165BU	71/73	Blue	Coupe .....	Set	245.00
MSC SFR7165DKGN	71/73	Dk. Green	Coupe .....	Set	245.00
MSC SFR7165GI	71/73	Ginger	Coupe .....	Set	245.00
MSC SFR7165MDGN	71/73	Med. Green	Coupe .....	Set	245.00
MSC SFR7165RD	71/73	Red	Coupe .....	Set	245.00
MSC SFR7165WT	71/73	White	Coupe .....	Set	245.00
MSC SFR7176BK	71/73	Black	Conv. ....	Set	245.00
MSC SFR7176BU	71/73	Blue	Conv. ....	Set	245.00
MSC SFR7176DKGN	71/73	Dk. Green	Conv. ....	Set	245.00
MSC SFR7176GI	71/73	Ginger	Conv. ....	Set	245.00
MSC SFR7176MDGN	71/73	Med. Green	Conv. ....	Set	245.00
MSC SFR7176RD	71/73	Red	Conv. ....	Set	245.00
MSC SFR7176WT	71/73	White	Conv. ....	Set	245.00

# UPHOLSTERY & RELATED TRIM

## 1967/73 Deluxe Comfortweave Seat Cover Sets

Our Deluxe Comfortweave Seat Covers set the standard for workmanship and authenticity! Only the best materials are used to create these special covers. Install a set of replacement seat covers to help your interior look brand new again! 67/68; Includes Shelby Mustangs.



1967

*\*Note: We Suggest You Order Full Seat Cover Sets For Color-Match Purposes.*

### Complete Sets-Front & Rear

MSC CFR6763BK	67	Black	2 + 2.....	Set	439.95
MSC CFR6765BK	67	Black	Coupe.....	Set	439.95
MSC CFR6765BU	67	Blue	Coupe.....	Set	439.95
MSC CFR6776BK	67	Black	Conv. ....	Set	439.95
MSC CFR6776PT	67	Parchment	Conv. ....	Set	439.95
MSC CFR6776RD	67	Red	Conv. ....	Set	439.95
MSC CFR6863BK	68	Black	2 + 2.....	Set	439.95
MSC CFR6865BK	68	Black	Coupe.....	Set	439.95
MSC CFR6876BK	68	Black	Conv. ....	Set	439.95
MSC CFR6963BK	69	Black	2 + 2.....	Set	439.95
MSC CFR6965BK	69	Black	Coupe.....	Set	439.95
MSC CFR6965WT	69	White	Coupe.....	Set	439.95
MSC CFR6976BK	69	Black	Conv. ....	Set	439.95
MSC CFR7063BK	70	Black	2 + 2.....	Set	439.95
MSC CFR7063WT	70	White	2 + 2.....	Set	439.95
MSC CFR7065BK	70	Black	Coupe.....	Set	439.95
MSC CFR7076BK	70	Black	Conv. ....	Set	439.95
MSC CFR7163BK	71	Black	2 + 2.....	Set	439.95
MSC CFR7165BK	71	Black	Coupe.....	Set	439.95
MSC CFR7165BU	71	Blue	Coupe.....	Set	439.95
MSC CFR7165WT	71	White	Coupe.....	Set	439.95
MSC CFR7176BK	71	Black	Conv. ....	Set	439.95
MSC CFR7176BU	71	Blue	Conv. ....	Set	439.95
MSC CFR7176RD	71	Red	Conv. ....	Set	439.95
MSC CFR7176WT	71	White	Conv. ....	Set	439.95

MSC CF Two Buckets Only..... 299.00

## 1969/73 Grande Vinyl Seat Cover Sets



1969/73  
Grande

You'll find our Grande Vinyl Seat Covers to be the finest in hand-craftsmanship and authenticity. Only the best materials are used to create these special covers, with complete attention to all details for a factory-finished look! The Best Anywhere!

69 High-Back Style without Headrest. Black only.  
70/73 High-Back Style without Headrest.  
Black, Medium Blue, Dark Green, & Nugget Gold.

*\*Note: We suggest you order full seat cover sets for color-match purposes.*

### (Front & Rear Set)

MSC GFR6965BK	69	Black	Coupe .....	Set	299.95
MSC GFR6965BU	69	Blue	Coupe .....	Set	299.95
MSC GFR7065BK	70	Black	Coupe .....	Set	299.95
MSC GFR7165BK	71/73	Black	Coupe .....	Set	299.95

## Standard Vinyl Bench Seat Covers

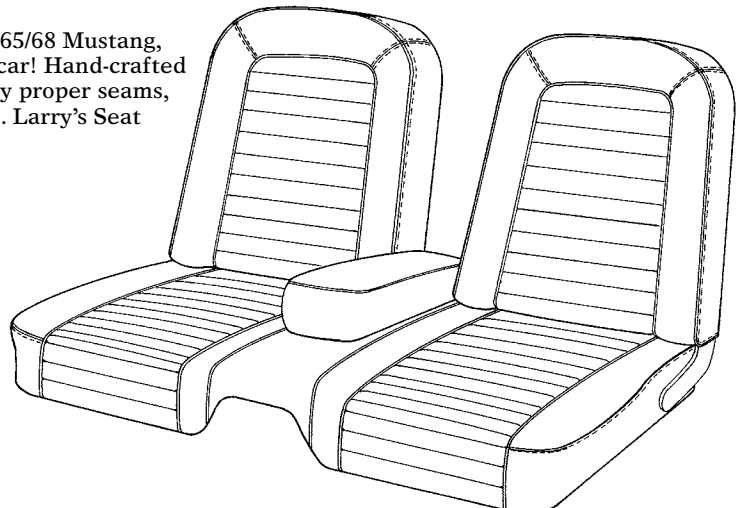
If you are one of the lucky ones to have a bench seat in your '65/68 Mustang, we have Standard Vinyl Bench Seat Cover sets for your pony car! Hand-crafted from sturdy vinyls, with complete attention to all details. Only proper seams, welts and colors on our Standard Vinyl Bench Seat Cover sets. Larry's Seat Covers are simply the best available!

### Colors Available:

- 65 Black, White, Blue, Red, Palomino & Ivy Gold.
- 66 Black, Parchment, Blue, Red & Aqua.
- 67 Black, Parchment, Blue, Red, Turquoise, Saddle & Ivy Gold.
- 68 Black, Parchment, Blue, Red, Turquoise, Saddle, Ivy Gold & Nugget Gold.

MSC BF	Front Only.....	199.95
MSC BFR	Complete Set.....	269.95

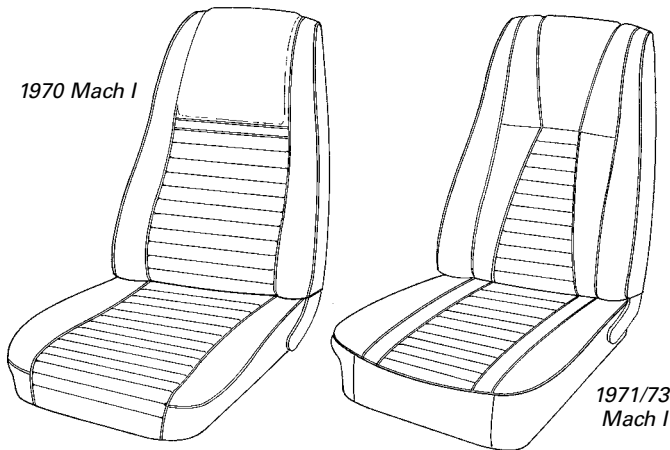
*\*Note: We suggest you order full seat cover sets for color-match purposes.*





# UPHOLSTERY & RELATED TRIM

## Authentic Style 1969/73 Mach I Seat Cover Sets



All of our Mach I Seat Cover sets are hand-crafted to match original specifications and looks, with proper seams, welts and stitching to complete their authentic quality. \*Note: We Suggest You Order Full Seat Cover Sets For Color-Match Purposes.

MSC MF Two Buckets Only ..... Pair 299.95

### (Front & Rear Set)

MSC MFR6963BKBK	69	Black/Black	2 + 2.....	Set	449.95
MSC MFR6963BKRD	69	Black/Red	2 + 2.....	Set	449.95
MSC MFR6963BKSI	69	Black/Gray	2 + 2.....	Set	449.95
MSC MFR6963BU	69	Blue/Blue	2 + 2.....	Set	449.95
MSC MFR6963RD	69	Red/Red	2 + 2.....	Set	449.95
MSC MFR6963WTRD	69	White/Red	2 + 2.....	Set	449.95
MSC MFR6963WTWT	69	White/White	2 + 2.....	Set	449.95
MSC MFR7063BKBK	70	Black/Black	2 + 2.....	Set	449.95
MSC MFR7063BKSI	70	Black/Gray	2 + 2.....	Set	449.95
MSC MFR7063DKBU	70	Dk. Blue/Blue	2 + 2.....	Set	449.95
MSC MFR7063RD	70	Red/Red	2 + 2.....	Set	449.95
MSC MFR7063WTWT	70	White/White	2 + 2.....	Set	449.95
MSC MFR7163BK	71/73	Black/Black	2 + 2.....	Set	449.95
MSC MFR7163BKRD	71/73	Black/Red	2 + 2.....	Set	449.95
MSC MFR7163BKSI	71/73	Black/Gray	2 + 2.....	Set	449.95
MSC MFR7163DKBU	71/73	Dk. Blue/Blue	2 + 2.....	Set	449.95
MSC MFR7163DKRD	71/73	Dk. red/Red	2 + 2.....	Set	449.95
MSC MFR7163RD	71/73	Red/Red	2 + 2.....	Set	449.95
MSC MFR7163RDBK	71/73	Red/Black	2 + 2.....	Set	449.95
MSC MFR7163WT	71/73	White/White	2 + 2.....	Set	449.95
MSC MFR7163WTBK	71/73	White/Black	2 + 2.....	Set	449.95

## Upholstery Installation Kit



Our Upholstery Installation Kit allows you to upholster like a pro! Kit includes one Hog Ring Plier Set & 250 Hog Rings. Set is enough to do a complete interior.

MAC 8 Complete Kit..... 12.63

## Seat Belts

Larry's Seat Belts feature a chrome 'lift' type latch buckle to give them a nice '60's look. Each belt includes mounting hardware.



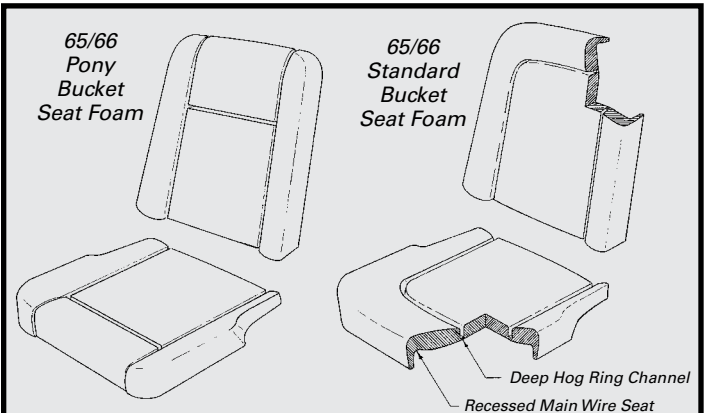
MSB BK	65/73	Black	Per Side .....	Each	24.19
MSB BU	65/73	Blue	Per Side .....	Each	24.19
MSB GI	65/73	Ginger	Per Side .....	Each	24.19
MSB GN	65/73	Green	Per Side .....	Each	24.19
MSB IG	65/73	Ivy Gold	Per Side .....	Each	24.19
MSB MN	65/73	Maroon	Per Side .....	Each	24.19
MSB PO	65/73	Palomino	Per Side .....	Each	24.19
MSB PT	65/73	Parchment	Per Side .....	Each	24.19
MSB RD	65/73	Red	Per Side .....	Each	24.19
MSBTQ	65/73	Turquoise	Per Side .....	Each	24.19
MSBWT	65/73	White	Per Side .....	Each	24.19
MSB KT		Seat Belt Bolt Kit (1 Required Per Belt) .....			5.00

## 1967 Lower Seat Shield

M 62186A 67; Lower, RH/LH Deluxe ..... Pair 86.95

## Seat Side Moulding Spacers

M 61610A 65/67 ..... Set 7.50



## Front Bucket Seat Foam (MSF)

The key to your Mustang's seat's good looks and riding comfort is in the seat foam. Any seating restoration project is incomplete without new foam and its revitalizing characteristics. Larry's features seat foam elements that are duplicated from OEM parts to ensure an authentic fit of new seat covers, with quality and appearance that exceeds original standards. Don't purchase a new seat cover set without considering new seat foam!

MSF S65	65/66; Standard; One Bucket .....	Each	50.45
MSF P65	65/66; Pony; One Bucket.....	Each	50.45
MSF S67	67; Standard; One Bucket .....	Each	50.45
MSF S68	68/69; Standard Low-Back Style Will Fit Shelby Low-Back Seat.....	Each	50.45
MSF D69	69/70; Mach I/Shelby, High-Back .....	Each	125.00
MSF D70	70; Standard & Deluxe High-Back Grande .....	Each	125.00
MSF D71	71/73.....	Each	125.00

\*Note: See Page 125 For Attaching Hardware Kits  
MHK 9, 10, 11, 17, 19, 50, 114, 277 & 279.

# UPHOLSTERY & RELATED TRIM

## Door Panels

### 65/73 Standard Door Panels (MDP)

1965	Black, White, Blue, Red, Palomino & Ivy Gold.	
1966	Black, Parchment, Blue, Red & Aqua.	
1967	Black, Parchment, Blue, Aqua, Ivy Gold, Saddle & Red.	
1968	Black, Parchment, Blue, Red, Aqua, Ivy Gold, Nugget Gold & Saddle.	
1965/68	Standard Door Panels.....	Pair 74.95
<i>See Page 125 For Attaching Part Kits MHK 37, 38 &amp; 280.</i>		
1969	Black, Blue, Red, Dark Ivy Gold & Nugget Gold.....	Pair 125.00
1970	Black, Blue, Ginger, Ivy, Vermillion (Red), White.....	Pair 125.00
1971/73	Black, Blue, Ginger, Green, Vermillion (Red), White.....	Pair 125.00
<i>See Page 125 For Attaching Part Kits MHK 37, 38 &amp; 280.</i>		

### 65/66 Pony Stainless Door Panel Moulding

65/66	M 23944A; RH & LH .....	4-Piece Set 121.15
-------	-------------------------	--------------------

### 65/66 Pony Door Panels (MDP P)

65/66	These panels are a full vinyl moulded door panel for the Deluxe Pony Interior. They are moulded in original factory colors and match original patterns perfectly.	
	<i>Note: Does Not Include Cup Or Insert.</i>	
	<i>See Part Number 24046 &amp; 24142 for these items.</i>	
	Available in Black, White, Parchment & Red.	
	Specify Year & Color.....	Pair 195.00
<i>See Page 125 For Attaching Part Kits MHK 38A &amp; 280.</i>		

### 67/68 Deluxe Door Panels (MDP D)

67	These panels are a full vinyl moulded door panel for the Deluxe Interior. They are moulded in original factory colors and match original patterns perfectly. <i>Note: Does Not Include Cups &amp; Inserts.</i>	
	Black only.....	Pair 195.00
68	These Are The Exact Deluxe Door Panels!	
	Available In: Black, Red, Aqua, Parchment, Blue & Ivy Gold.	
	<i>Note: Includes Woodgrain Panel.</i>	
	Specify Year & Color.....	Pair 149.95

### 69/73 Deluxe Door Panels (MDP D)

A semi-complete panel that features a sturdy plastic backing (which is an improvement over originals!) and have black carpet mounted on the lower portion. Panels also feature correct-size door pull hand cup opening as well as correct indent for remote control mirror bezels. Your original parts\* will re-install without any modifications.

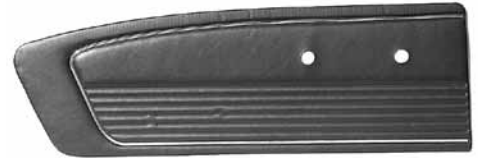
1969	Specify Black or White .....	Pair 319.95
1970	Specify Black or White .....	Pair 319.95
1971/73	Specify Black or White .....	Pair 365.00
<i>*Note: Your Existing Door Cosmetics Must Be Re-Used.</i>		

### 67 Deluxe Door Panel Insert

M 23722A	1967; Brushed aluminum. Complete with raised bead and attaching spikes on the back. Ready to install .....	Pair 139.95
----------	--	-------------



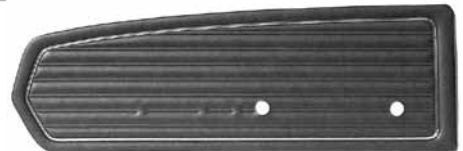
65 Standard Door Panel



66 Standard Door Panel



67 Standard Door Panel



68 Standard Door Panel



67 Deluxe Door Panel

### 67 Deluxe Door Panel Trim

M 23944B	1967; Stainless Steel.....	Pair 131.25
----------	----------------------------	-------------

### 69/70 Deluxe Interior Door Trim Panel

M 23943A	69/70; Dark Walnut Insert .....	Pair 89.95
M 23943B	69/70; Light Teak Insert .....	Pair 89.95

### Watershields for Interior of Doors & Quarters

M 23942A	65/66; Coupe, 4-Piece Kit .....	11.95
M 23942B	65/66; Convertible, 4-Piece Kit .....	11.95
M 23942C	65/66; Fastback, Coupe & Conv., Doors Only 2-Piece Kit .....	9.95
M 23942D	67/68; Coupe, 4-Piece Kit .....	11.95
M 23942E	67/68; Convertible, 4-Piece Kit .....	11.95
M 23942F	67/68; Fastback, Coupe & Conv., Doors Only 2-Piece Kit .....	9.95
M 23942G	69/70; Coupe, 4-Piece Kit .....	11.95
M 23942H	69/70; Convertible, 4-Piece Kit .....	11.95
M 23942I	69/70; Fastback, Coupe & Conv., Doors Only 2-Piece Kit .....	9.95

## Door Pull Braces

M 22606A	68; For Deluxe Interior .....	Pair 16.75
----------	-------------------------------	------------

## Door Handle Bezel

M 22634D	69/70; Trim Behind The Inside Door Handle.....	Pair 26.95
----------	--	------------

## Door Pull End Cap, Deluxe Interior

M 22670A	69/70; Includes Woodgrain Insert, 20 pc. ....	Kit 42.37
----------	---	-----------

## Deluxe Door Armrest Screw Hole Plug

M 24056A	67; Black, 2 Pieces.....	Pair 7.02
M 24056B	68; Black, 4 Pieces.....	Set 8.03

## Door/Trim Attaching Hardware



### M 24046/7 Door Panel Armrest Cup Insert

M 24046A	65/66; Black.....	Each 3.99
M 24046B	65; Red .....	Each 3.99
M 24046C	65/66; White .....	Each 3.99
M 24046E	65/66; Parchment .....	Each 3.99
★M 24046/7F	69; Black.....	Pair 4.95
M 24046G	66; Red .....	Each 3.99

# UPHOLSTERY & RELATED TRIM

## Pony Stainless Door Trim Moulding

M 23944A 65/66; RH & LH, Stainless, 4-Piece Kit..... 121.15

## Color-Matched Windlace Trim

An oft-overlooked item for final detailing but nevertheless an important one for that final touch! Just pinch it into place around door jambs and the grabber edge keeps it locked into place. Color-Matched to go with all interior vinyls and carpets. **Be Sure To Specify Year & Color When Ordering.**

All Sold Per Foot ..... 1.45

### Windlace Application Chart

Model Year	Coupe	Fastback	Convertible
1965/1968	16 ft. Required	16 ft. Required	10 ft. Required
1969/1970	13 ft. Required	13 ft. Required	6 ft. Required

## Door Panel Arm Rest Pad



MAR 65BU	65; Blue	Each	9.59
MAR 65RD	65; Red	Each	9.59
MAR 65BK	65/66; Black	Each	9.59
MAR 65IG	65; Ivy Gold	Each	9.59
MAR 65PO	65; Palomino	Each	9.59
MAR 65WT	65; White	Each	9.59
MAR 66RD	66; Red	Each	9.59
MAR 66AQ	66; Aqua	Each	9.59
MAR 66PT	66; Parchment	Each	9.59
MAR 66BU	66; Blue	Each	9.59

## Door Panel Arm Rest

MAR 67AQ	67; RH or LH; Aqua	Each	23.51
MAR 67BU	67; RH or LH; Blue	Each	17.95
MAR 67BK	67; RH or LH; Black	Each	17.95
MAR 67IG	67; RH or LH; Ivy Gold	Each	23.51
MAR 67MN	67; RH or LH; Maroon	Each	17.95
MAR 67PT	67; RH or LH; Parchment	Each	17.95
MAR 67SD	67; RH or LH; Saddle	Each	23.51
MAR 68AQR	68; RH; Aqua (Std. Interior)	Each	31.01
MAR 68AQL	68; LH; Aqua (Std. Interior)	Each	31.01
MAR 68BKR	68; RH; Black (Std. Interior)	Each	19.95
MAR 68BKL	68; LH; Black (Std. Interior)	Each	19.95
MAR 68BKDR	68; RH; Black (Deluxe. Interior)	Each	65.60
MAR 68BKDL	68; LH; Black (Deluxe. Interior)	Each	65.60
MAR 68BUR	68; RH; Blue (Std. Interior)	Each	19.95
MAR 68BUL	68; LH; Blue (Std. Interior)	Each	19.95
MAR 68BUDR	68; RH; Blue (Deluxe. Interior)	Each	65.60
MAR 68BUDL	68; LH; Blue (Deluxe. Interior)	Each	65.60
MAR 68IGR	68; RH; Ivy Gold (Std. Interior)	Each	19.95
MAR 68IGL	68; LH; Ivy Gold (Std. Interior)	Each	19.95
MAR 68MNDR	68; RH; Red (Deluxe. Interior)	Each	65.60
MAR 68MNDL	68; LH; Red (Deluxe. Interior)	Each	65.60
MAR 68MNR	68; RH; Maroon (Std. Interior)	Each	19.95
MAR 68MNL	68; LH; Maroon (Std. Interior)	Each	19.95
MAR 68NGR	68; RH; Nugget (Std. Interior)	Each	19.95
MAR 68NGL	68; LH; Nugget (Std. Interior)	Each	19.95
MAR 68PTR	68; RH; Parchment (Std. Interior)	Each	19.95
MAR 68PTL	68; LH; Parchment (Std. Interior)	Each	19.95

## Door Panel Arm Rest continued

MAR 68PTDR	68; RH	Parch. (Deluxe. Interior)	Each	65.60
MAR 68PTDL	68; LH	Parch. (Deluxe. Interior)	Each	65.60
MAR 68SDR	68; RH	Saddle (Std. Interior)	Each	19.95
MAR 68SDL	68; LH	Saddle (Std. Interior)	Each	19.95
MAR 69BKR 69/70;	RH	Black	Each	21.95
MAR 69BKL 69/70;	LH	Black	Each	21.95
MAR 69BUR	69; RH	Blue	Each	21.95
MAR 69BUL	69; LH	Blue	Each	21.95
MAR 69IVR	69; RH	Ivy Gold	Each	21.95
MAR 69IVL	69; LH	Ivy Gold	Each	21.95
MAR 69MNR	69; RH	Maroon (Red)	Each	21.95
MAR 69MNL	69; LH	Maroon (Red)	Each	21.95
MAR 69NGR	69; RH	Nugget Gold	Each	21.95
MAR 69NGL	69; LH	Nugget Gold	Each	21.95
MAR 70BUR	70; RH	Blue	Each	21.95
MAR 70BUL	70; LH	Blue	Each	21.95
MAR 70GIR	70; RH	Ginger	Each	21.95
MAR 70GIL	70; LH	Ginger	Each	21.95
MAR 70IVR	70; RH	Ivy Gold	Each	21.95
MAR 70IVL	70; LH	Ivy Gold	Each	21.95
MAR 70RDR	70; RH	Red	Each	21.95
MAR 70RDL	70; LH	Red	Each	21.95
MAR 70WTR	70; RH	White	Each	21.95
MAR 70WTL	70; LH	White	Each	21.95
MAR 71BKR 71/73;	RH	Black	Each	21.95
MAR 71BKL 71/73;	LH	Black	Each	21.95
MAR 71BUR 71/73;	RH	Blue	Each	21.95
MAR 71BUL 71/73;	LH	Blue	Each	21.95
MAR 71GIR 71/73;	RH	Ginger	Each	21.95
MAR 71GIL 71/73;	LH	Ginger	Each	21.95
MAR 71GNR 71/73;	RH	Green	Each	21.95
MAR 71GNL 71/73;	LH	Green	Each	21.95
MAR 71RDR 71/73;	RH	Red	Each	21.95
MAR 71RDL 71/73;	LH	Red	Each	21.95
MAR 71WTR 71/73;	RH	White	Each	21.95
MAR 71WTL 71/73;	LH	White	Each	21.95

## Pony/Deluxe Door Panel Arm Rest Cup

M 24142A	65/67; Black	Each	10.75
M 24142B	65/67; White	Each	10.75
M 24142C	65; Red	Each	10.75
M 24142D	66; Red	Each	10.75
M 24142E	66; Parchment	Each	10.75
M 24142F	69; Long-Style	Pair	20.15
M 24142G	70; Short-Style	Pair	20.15

## Chrome Door Arm Rest Base

M 24144A	65/66; Chrome	Each	6.97
M 24144B	71/73; Chrome	Each	18.95

See Page 125 For Attaching Parts Kit MHK 41.

## Door Panel Cup Bracket

M 24143A	65/66	Each	3.99
----------	-------	------	------

## Arm Rest Mounting Clip

M 24146A	67/68	Each	.86
M 24146B	69/70; 6 Piece Set	Set	23.23

## Door Pulls (Deluxe Interiors)

M 26656A	68; Maroon	Each	25.20
M 26656B	68; Blue	Each	25.20
M 26656C	68; Parchment	Each	25.20
M 26656D	68; Saddle	Each	25.20
M 26656E	68; Ivy Gold	Each	25.20
M 26656F	68; Nugget Gold	Each	25.20
M 26656G	68; Aqua	Each	25.20
M 26656H	68; Black	Each	32.57

# UPHOLSTERY & RELATED TRIM

## Dash Mat (MDM)

Helps prevent direct sunlight from cracking your Dash. Colors may not match perfectly, but you'll find these to be essential for saving your dash!

MDM 65BK	65	Black	33.23
MDM 65BU	65	Blue	33.23
MDM 65DKGN	65	Dark Green	33.23
MDM 65GY	65	Gray	33.23
MDM 65LTBU	65	Light Blue	33.23
MDM 65MN	65	Maroon	33.23
MDM 65PO	65	Palomino	33.23
MDM 65RD	65	Red	33.23

MDM 66AQ	66	Aqua	33.23
MDM 66BK	66	Black	33.23
MDM 66BU	66	Dark Blue	33.23
MDM 66LTBU	66	Light Blue	33.23
MDM 66MN	66	Maroon	33.23
MDM 66TN	66	Tan	33.23
MDM 67AQ	67/68	Aqua	33.23
MDM 67BK	67/68	Black	33.23
MDM 67BU	67/68	Dark Blue	33.23
MDM 67DKGN	67/68	Dark Green	33.23
MDM 67GY	67/68	Gray	33.23
MDM 67MN	67/68	Maroon	33.23
MDM 67PO	67/68	Palomino	33.23
MDM 67TN	67/68	Tan	33.23

MDM 69BK	69/70	Black	33.23
MDM 69BU	69/70	Blue	33.23
MDM 69DKGN	69/70	Dark Green	33.23
MDM 69GY	69/70	Gray	33.23
MDM 69MN	69/70	Maroon	33.23
MDM 69PO	69/70	Palomino	33.23
MDM 69RD	69/70	Red	33.23

MDM 71BK	71/73	Black	33.23
MDM 71BU	71/73	Blue	33.23
MDM 71MN	71/73	Maroon	33.23

## Original-Style Sun Visors



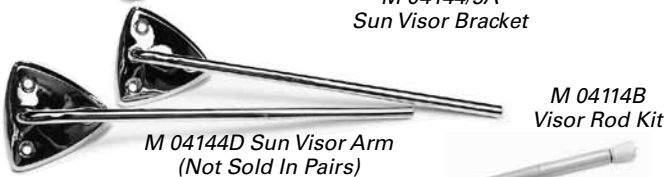
MSV-C  
Convertible  
Sun Visor

Each Original-Style Sun Visor is hand-crafted to original specifications, with completely detailed seams and stitching. Colors: Available to match Upholstery Sets in this catalog. Specify Year, Body Style & Color When Ordering.

(MSV) 65/73; Sun Visor ..... Pair 54.95



M 04144/5A  
Sun Visor Bracket



M 04114B  
Visor Rod Kit

M 04144D Sun Visor Arm  
(Not Sold In Pairs)

**M 04114 Visor Anchor Pin**  
M 04114B 70/73..... Each 5.71

**M 04114 Convertible Sun Visor Rod Kit**  
M 04114C 65/66; 4-Pieces..... 14.09

Note: Does Not Include Part Number 04115-A Rubber Tip.

**M 04115 Visor Pin - Rubber Tip**  
M 04115A 65/73..... Each .75

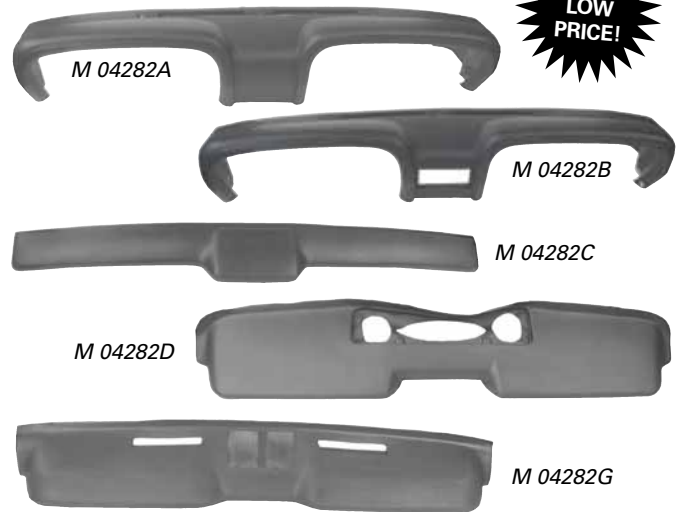
**M 04144 Sun Visor Arm**  
M 04144D 65/66; Coupe & Fastback..... Each 13.44  
M 04144E 67/70; Coupe & Fastback..... Each 11.06  
See Page 125 For Attaching Parts Kit MHK 53.

**M 04144/5 Convertible Top Visor Bracket Assembly**  
M 04144/A 65/66;  
Top Hold-Down & Sun Visor Bracket (less rod)  
..... Pair 85.63

M 04144B 67/68;  
Top Hold-Down & Sun Visor Bracket (with rod)  
..... Pair 79.95

M 04146C 65/66; Pivot Only..... Pair 20.15

## Padded Dash



M 04282A	69/70	Black Without A/C	Each	275.00
M 04282B	69/70	Black w/A/C	Each	275.00
M 04282C	71/73	Black	Each	115.00
M 04290A	65	Blue	Each	125.00
M 04290B	65	Red	Each	125.00
M 04290C	65	Black	Each	125.00
M 04290D	66	Blue	Each	125.00
M 04290E	66	Dark Red	Each	125.00
M 04290F	66	Black	Each	125.00
M 04290G	67/68	Blue	Each	175.00
M 04290H	67/68	Red	Each	175.00
M 04290I	67/68	Black	Each	159.95
M 04290J	67/68	Dark Ivy Gold	Each	175.00
M 04290K	67/68	Aqua	Each	175.00

# UPHOLSTERY & RELATED TRIM

## Landau Vinyl Top

Each Landau Vinyl Top features correct grain and is available in Black or White only. Each top is handcrafted, dielectrically seamed and guaranteed to fit properly!  
**Please Specify Year & Color Required When Ordering.**

MLD 65BK 65/70.....	Black Coupe	145.00
MLD 65WT 65/70.....	White Coupe	145.00
MLD 71BK 71/73.....	Black Coupe	145.00
MLD 71WT 71/73.....	White Coupe	145.00

## Mustang Convertible Tonneau Cover

Convertible Tonneau Covers are an extra source of protection for your classic convertible's interior. Cover comes complete with all necessary attaching hardware.

MTC 65BK 65/66 Black.....	Each	159.95
MTC 65WT 65/66 White.....	Each	159.95

## Headliner Pillar Trim

M 52136A 65/68; Black Only, Includes Screws.....	Pair	9.95
--	------	------

## Convertible Top Well Liner

Convertible Well Covers fit between the rear seat and the trunk. Soft Top folds down into the Conv. Well Cover. **Be sure to specify Year & Color when ordering.**

M 54486A 65/66; Black.....	Each	36.95
M 54486B 65/66; White.....	Each	36.95
M 54486D 67/68; Black.....	Each	36.95
M 54486E 67/68; White.....	Each	36.95
M 54486F 69/70; Black.....	Each	36.95
M 54486G 71/73; Black.....	Each	36.95
M 54486H 71/73; White.....	Each	36.95

See Page 125 For Attaching Parts Kit MHK 95.

## Convertible Top Pad

Manufactured from the highest-quality materials with complete attention to detail and workmanship.

MTP 65BK 65/73; Black.....	Pair	25.95
----------------------------	------	-------

## Lower Dash Knee Pad

M 04292A 67/68; Blue.....	34.00
M 04292B 67/68; Red.....	34.00
M 04292C 67/68; Black.....	34.00
M 04292D 67/68; Ivy Gold.....	34.00
M 04292E 67/68; Parchment.....	34.00
M 04292F 67/68; Aqua.....	34.00

## Windshield Pillar Pad

M 03598A 67/68; RH, Blue.....	Each	35.00
M 03599A 67/68; LH, Blue.....	Each	35.00
M 03598B 67/68; RH, Red.....	Each	35.00
M 03599B 67/68; LH, Red.....	Each	35.00
M 03598C 67/68; RH, Black.....	Each	35.00
M 03599C 67/68; LH, Black.....	Each	35.00
M 03598D 67/68; RH, Ivy Gold.....	Each	35.00
M 03599D 67/68; LH, Ivy Gold.....	Each	35.00
M 03598E 67/68; RH, Parchment.....	Each	35.00
M 03599E 67/68; LH, Parchment.....	Each	35.00
M 03599F 69/70; Correct Grain, Injected Plastic Like The Original Part From Ford.....	Pair	100.95



## Convertible Top Boot

The finest quality Convertible Top Boot to protect your Mustang's convertible top, complete with all correct attaching hardware. Available in the following colors:

MBT 65BK 65/66 Black.....	Each	89.95
MBT 65BU 65 Blue.....	Each	89.95
MBT 65IG 65 Ivy Gold.....	Each	89.95
MBT 65PO 65 Palomino.....	Each	89.95
MBT 65RD 65 Red.....	Each	89.95
MBT 65WT 65/66 White.....	Each	89.95
MBT 66AQ 66 Aqua.....	Each	89.95
MBT 66BU 66 Blue.....	Each	89.95
MBT 66MN 66 Maroon.....	Each	89.95
MBT 66PT 66 Parchment.....	Each	89.95
MBT 67AQ 67 Aqua.....	Each	89.95
MBT 67BK 67 Black.....	Each	89.95
MBT 67BU 67 Blue.....	Each	89.95
MBT 67IG 67 Ivy Gold.....	Each	89.95
MBT 67MN 67 Maroon.....	Each	89.95
MBT 67PT 67 Parchment.....	Each	89.95
MBT 67SD 67 Saddle.....	Each	89.95
MBT 67WT 67 White.....	Each	89.95
MBT 68AQ 68 Aqua.....	Each	89.95
MBT 68BK 68 Black.....	Each	89.95
MBT 68BU 68 Blue.....	Each	89.95
MBT 68MN 68 Maroon.....	Each	89.95
MBT 68NG 68 Nugget Gold.....	Each	89.95
MBT 68PT 68 Parchment.....	Each	89.95
MBT 68WT 68 White.....	Each	89.95
MBT 69BK 69/70 Black.....	Each	89.95
MBT 69MN 69/70 Maroon.....	Each	89.95
MBT 69WT 69/70 White.....	Each	89.95
MBT 71BK 71/73 Black.....	Each	89.95
MBT 71BU 71/73 Blue.....	Each	89.95
MBT 71GN 71/73 Green.....	Each	89.95
MBT 71MN 71/73 Maroon.....	Each	89.95
MBT 71WT 71/73 White.....	Each	89.95

### MSP 359274K Snap Stud Kit.

Includes (17) Snap Studs w/Retainers.....	14.09
---	-------

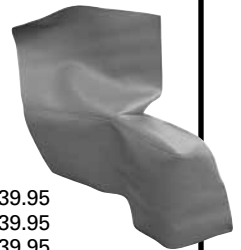
See Page 125 For Attaching Parts Kits MHK 425.

## Quarter Trim Cover

Quarter Trim Covers are available in the same colors as Seat Cover Sets listed in this catalog. **Specify Color When Ordering.**

MQT 65/66; Pony Interior (Coupe.....)	Pair	39.95
MQT 67; Dlx. Interior.....	Pair	39.95
MQTC 65/68; Conv. (All).....	Pair	39.95

See Page 125 For Attaching Parts Kits MHK 54 & 54A.  
MSP 359275 Snap Stud Kit. 65/68 Quarter Trim Cover..... 9.04



# UPHOLSTERY & RELATED TRIM

## Headliners

These Headliners are crafted from proper original-type vinyls, right grains and colors.

MHL 65AQC	65/70	Aqua	Coupe	Each	42.95
MHL 65AQF	65/68	Aqua	Fastback	Each	42.95
MHL 65BKC	65/70	Black	Coupe	Each	42.95
MHL 65BKF	65/68	Black	Fastback	Each	42.95
MHL 65DKAQC	65/70	Dk. Aqua	Coupe	Each	42.95
MHL 65DKAQF	65/68	Dk. Aqua	Fastback	Each	42.95
MHL 65DKGNC	65/70	Dk. Green	Coupe	Each	42.95
MHL 65IGF	65/68	Ivy Gold	Fastback	Each	42.95
MHL 65LTBUC	65/70	Lt. Blue	Coupe	Each	42.95
MHL 65LTBUF	65/68	Lt. Blue	Fastback	Each	42.95
MHL 65LTGNC	65/70	Lt. Green	Coupe	Each	42.95
MHL 65MDBUC	65/70	Med. Blue	Coupe	Each	42.95
MHL 65MDBUF	65/68	Med. Blue	Fastback	Each	42.95
MHL 65POC	65/70	Palomino	Coupe	Each	42.95
MHL 65POF	65/68	Palomino	Fastback	Each	42.95
MHL 65RDC	65/70	Red	Coupe	Each	42.95
MHL 65RDF	65/68	Red	Fastback	Each	42.95
MHL 65WTC	65/70	White	Coupe	Each	42.95
MHL 65WTF	65/68	White	Fastback	Each	42.95
MHL 66MNC	65/70	Maroon	Coupe	Each	42.95
MHL 66MNF	65/68	Maroon	Fastback	Each	42.95
MHL 66PTC	65/70	Parchment	Coupe	Each	42.95
MHL 66PTF	65/68	Parchment	Fastback	Each	42.95
MHL 67NGC	65/70	Nugget Gold	Coupe	Each	42.95
MHL 69BKF	69/70	Black	Fastback	Each	42.95
MHL 69DKGNF	69/70	Dk. Green	Fastback	Each	42.95
MHL 69IGF	69/70	Ivy Gold	Fastback	Each	42.95
MHL 69LTBUF	69/70	Lt. Blue	Fastback	Each	42.95
MHL 69MDBUF	69/70	Med. Blue	Fastback	Each	42.95
MHL 69MNF	69/70	Maroon	Fastback	Each	42.95
MHL 69PTF	69/70	Parchment	Fastback	Each	42.95
MHL 69RDF	69/70	Red	Fastback	Each	42.95
MHL 69WTF	69/70	White	Fastback	Each	42.95
MHL 70GIF	69/70	Ginger	Fastback	Each	42.95
MHL 71BKC	71/73	Black	Coupe	Each	42.95
MHL 71BKF	71/73	Black	Fastback	Each	42.95
MHL 71DKBUC	71/73	Dk. Blue	Coupe	Each	42.95
MHL 71DKBUF	71/73	Dk. Blue	Fastback	Each	42.95
MHL 71GIC	71/73	Ginger	Coupe	Each	42.95
MHL 71GIF	71/73	Ginger	Fastback	Each	42.95
MHL 71GNC	71/73	Dk. Green	Coupe	Each	42.95
MHL 71GNF	71/73	Dk. Green	Fastback	Each	42.95
MHL 71LTBUF	71/73	Lt. Blue	Fastback	Each	42.95
MHL 71MDBUC	71/73	Med. Blue	Coupe	Each	42.95
MHL 71MNF	71/73	Maroon	Fastback	Each	42.95
MHL 71PTF	71/73	Parchment	Fastback	Each	42.95
MHL 71RDC	71/73	Red	Coupe	Each	42.95
MHL 71RDF	71/73	Red	Fastback	Each	42.95
MHL 71SDC	71/73	Saddle	Coupe	Each	42.95
MHL 71SDF	71/73	Saddle	Fastback	Each	42.95
MHL 71TNC	71/73	Tan	Coupe	Each	42.95
MHL 71WTC	71/73	White	Coupe	Each	42.95
MHL 71WTF	71/73	White	Fastback	Each	42.95

See Page 125 For Attaching Parts Kits MHK 177, 178 & 179.

### Headliner Installation Kit

Kit includes instructions and glue.

MHL KT	65/73				3.54
--------	-------	--	--	--	------

### Fold Down Seat Moulding Set

M 13018AK	65/68	Fastback, 14PC Set	230.95
M 13018BK	69/70	Fastback, 13PC Set	230.95

### Front Parking Lamp Bezel

M 13212A	67/68; RH	Each	18.95
M 13212B	67/68; LH	Each	18.95

### Dome Lamp Lens

M 13783A	67/70; Coupe	Each	3.48
M 13783D	71/73	Each	6.25

### Quarter Pillar Lamp Lens

M 13783B	65/69; Fastback	Each	1.25
----------	-----------------	------	------

### Dome Lamp Bezel

M 13788A	67/70; Coupe	Each	6.38
M 13788C	71/73; After 6/1/71	Each	38.88

### Coat Hook

M 29025A	65/66; Coupe/Fastback	Pair	7.95
M 29025B	65/66; Convertible	Pair	10.05
M 29025C	68/73; Black Plastic	Each	2.98
M 29025D	68/73; Coat Hook Base	Each	2.98

### Inside Quarter Ash Tray Lid

M 30701A	65/68; Convertible	Each	21.16
----------	--------------------	------	-------

### Inside Quarter Ash Tray

M 30702A	65/68; Convertible	Each	16.11
----------	--------------------	------	-------

### Fastback Interior Quarter Vent Panels

M 31006B	67/68; 2+2 Made of High Quality Plastic	Pair	298.95
----------	---	------	--------

### Fastback Upper Back Trim Set

M 31112BK	67/68; 2+2 Made of High Quality Plastic	Set	258.95
-----------	---	-----	--------

### Inside Quarter Trim Cap

M 31192A	69; Fastback	Pair	19.95
M 31490A	65/66; Coupe, Pony Interior	Pair	13.08

### Inside Quarter Trim Panel

M 31486A	65/66; Fastback	Pair	230.23
M 31486B	65/68; Convertible	Pair	141.35
M 31486C	67/68; Fastback	Pair	195.50
M 31486D	69/70; Fastback	Pair	224.95

## Package Tray

M 46656A	65/68; (Coupe); Unpainted. You paint to match. See Paints & Dyes on Page 144 for complete application	12.80
M 46656B	69/70; (Coupe); Black	36.31
M 46656C	69/70; (Fastback), Black	36.31
M 46656D	71/73; (Fastback), Black	26.95

## 1965-68 Vinyl Covered Package Tray

- Package Trays To Match Your Interior
- No More Painting the Fiberboard • Ready to Install

No Speaker Holes		With Speaker Holes	
MPS 65 ABK	65/68 Black	MPS 65 BBK	65/67 Black
MPS 65 ABU	65 Blue	MPS 65 BBU	65 Blue
MPS 65 AEM	65/66 Emberglo	MPS 65 BEM	65/66 Emberglo
MPS 65 AIG	65/68 Ivy Gold	MPS 65 BIG	65/67 Ivy Gold
MPS 65 APO	65 Palomino	MPS 65 BPO	65 Palomino
MPS 65 ARD	65 Red	MPS 65 BWT	65/66 White
MPS 65 AWT	65/66 White	MPS 66 BBU	66/67 Blue
MPS 66 ABU	66/68 Blue	MPS 66 BPT	66 Parch
MPS 66 APT	66 Parch	MPS 66 BRD	66/67 Red
MPS 66 ARD	66/67 Red	MPS 66 BTQ	66/67 Turq
MPS 66 ATQ	66/68 Turq	MPS 67 BPT	67 Parch
MPS 67 APT	67/68 Parch	MPS 67 BSD	67 Saddle
MPS 67 ASD	67/68 Saddle	MPS 68 BBK	68 Black
MPS 68 AMN	68 Maroon	MPS 68 BBU	68 Blue
MPS 68 ANG	67/68 Nugg Gold	MPS 68 BIG	68 Ivy Gold
		MPS 68 BMN	68 Maroon
		MPS 68 BNG	68 Nugg Gold
		MPS 68 BPT	68 Parch
		MPS 68 BSD	68 Saddle
		MPS 68 BTQ	68 Turq

Call For Pricing

### Package Tray Insulation

M 46657A	65/68; Coupe	Each	7.02
M 46657B	69/70; Coupe	Each	7.02
M 46657C	71/73; Coupe	Each	7.02
M 46657D	69/70; Fastback	Each	8.59
M 46657E	71/73; Fastback	Each	8.59

### Interior Sail Panels

M 52018A	69/70; Blue, 2 + 2	Pair	32.39
M 52018B	69/70; Red, 2 + 2	Pair	32.39
M 52018C	69/70; Black, 2 + 2	Pair	32.39
M 52018E	69/70; White, 2 + 2	Pair	32.39

### Headliner Bow Set

M 52104C	67/68; Fastback, 5PC Set	40.00
----------	--------------------------	-------

### Headliner Pillar Trim

M 52136A	65/68	Pair	9.95
----------	-------	------	------

# UPHOLSTERY & RELATED TRIM



## Door Scuff Plates

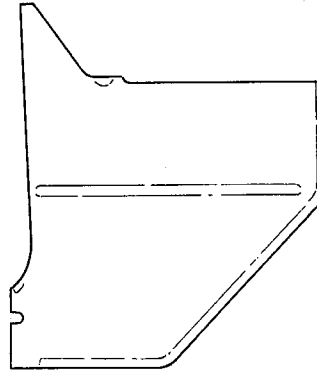
M 13208E	65/68; RH & LH Accessory	Pair	32.83
M 13208F	65/66; (Coupe & Fastback), with black label	Each	14.50
M 13208G	65/66; (Convertible), with black label	Each	14.50
M 13208H	67/68; (Coupe & Fastback), with blue label	Each	14.50
M 13208I	67/68; (Convertible), with blue label	Each	14.50
M 13208J	69/70; RH or LH	Each	16.50
M 13208K	71/73; RH or LH	Each	19.50
M 13208P	65/68; Coupe & Convertible, Lighted	Pair	124.95
M 13208Q	65/68; Fastback, Lighted	Pair	124.95
M 13208R	69/70; All, Lighted	Pair	129.95

See Page 125 For Attaching Parts Kits MHK 49, 58 & 182.

## Attaching Hardware for Upholstery Section

MHK 9	Screw Kit, 65/66; Convertible Interior Trim with screw location identified	14.65
MHK 9A	Screw Kit, 67/68; Convertible Interior Trim	13.11
MHK 9B	Screw Kit, 69/70; Convertible Interior Trim	14.39
MHK 10	Screw Kit, 65/66; Coupe Interior Trim with screw location identified	14.65
MHK 10A	Screw Kit, 67/68; Coupe Interior Trim	13.11
MHK 10B	Screw Kit, 69/70; Coupe Interior Trim	14.39
MHK 11	Screw Kit, 65/66; Fastback Interior Trim with screw location identified	15.93
MHK 11A	Screw Kit, 67/68; Fastback Interior Trim	13.11
MHK 11B	Screw Kit, 69/70; Fastback Interior Trim	14.39
MHK 19	Screw Kit, Pony Interior Trim Kit, 65/66	14.72
MHK 20	Screw Kit, Console Mounting; 65/66, (set of 6)	3.21
MHK 20R	Screw Kit, Console Mounting; 65/66, (kit of 4)	2.18
MHK 37	Door Panel Clip w/Foam Insulation, 65/68 (kit of 15)	17.61
MHK 38	Clip Kit, Door Panel Clips (set of 15- Enough for one door panel), 65/69	5.33
MHK 38A	Clip Kit, Pony Door Panels, 65/66, 69/73 Deluxe Also (kit of 15)	9.19
MHK 41	Screw Kit, Arm Rest; Base to Door, (Std. Interior) 65/66, (kit of 2)	1.93
MHK 49	Screw Kit, Step Plate; 65/69, (kit of 9)	4.37
MHK 50	Screw Kit, Seat Trim Plate; 65/67, (kit of 6)	3.21
MHK 54	Screw Kit, Interior Rear Quarter; 65/68, (kit of 4)	2.96
MHK 54A	Screw Kit, Rear Quarter Trim - Pony; 65/66, (kit of 4)	2.96
MHK 55	Screw Kit, Kick Panel; 65/68, (kit of 4)	2.96
MHK 58	Screw Kit, Sill Plate Repair, 65/69	2.18
MHK 95	Screw Kit, Well Liner, black; 65/73, (kit of 11)	9.89
MHK 135	Screw Kit, Auto Shifter Housing; 65/68, (kit of 4)	2.18
MHK 175	Screw Kit, Coat Hook; 65/67, (kit of 2)	1.48
MHK 177	Screw Kit, Rear Weatherstrip - Fastback; 65/66, (kit of 7)	3.47
MHK 178	Screw Kit, Vent & Side Panel - Fastback, 65/66, (kit of 10)	4.75
MHK 179	Screw Kit, Headliner & Wrap Band - Fstbk., 65/66, (kit of 10)	4.75
MHK 182	Screw Kit, Lower Sill Plate, 65/68	2.18
MHK 287	Mounting Bolt Kit, Convertible Plate, 65/66	6.04
MHK 293	Screws, Shift Plate, 65/66	5.33

## Standard Kick Panels



While restoring the interior of your Mustang you'll want to replace your beat up and worn out kick panels. Our reproduction Kick Panel Sets (MKP) bring new life to the floor/firewall area of your Mustang and are easy to install. Specify Year, Color & Body Style When Ordering.

MKP 65BK	65/66	Black	Coupe/2 + 2...	Pair	24.58
MKP 65BU	65	Blue	Coupe/2 + 2...	Pair	24.58
MKP 65IG	65	Ivy Gold	Coupe/2 + 2...	Pair	24.58
MKP 65PO	65	Palomino	Coupe/2 + 2...	Pair	24.58
MKP 65RD	65	Red	Coupe/2 + 2...	Pair	24.58
MKP 65WT	65	White	Coupe/2 + 2...	Pair	24.58
MKP 66AQ	66	Aqua	Coupe/2 + 2...	Pair	24.58
MKP 66LTBU	66	Lt. Blue	Coupe/2 + 2...	Pair	24.58
MKP 66MN	66	Maroon	Coupe/2 + 2...	Pair	24.58
MKP 66PT	66	Parchment	Coupe/2 + 2...	Pair	24.58
MKP 67BK	67/68	Black	Coupe/2 + 2...	Pair	24.58
MKP 67BU	67/68	Blue	Coupe/2 + 2...	Pair	24.58
MKP 67IG	67/68	Ivy Gold	Coupe/2 + 2...	Pair	24.58
MKP 67PT	67/68	Parchment	Coupe/2 + 2...	Pair	24.58
MKP 67RD	67	Red	Coupe/2 + 2...	Pair	24.58
MKP 67SD	67/68	Saddle	Coupe/2 + 2...	Pair	24.58
MKP 67TQ	67/68	Turquoise	Coupe/2 + 2...	Pair	24.58
MKP 68MN	68	Maroon	Coupe/2 + 2...	Pair	24.58
MKP 68NG	68	Nugget	Coupe/2 + 2...	Pair	24.58
MKP 69BK	69/70	Black	All	Pair	70.65
MKPC 65BK	65/66	Black	Convertible	Pair	24.58
MKPC 65BU	65	Blue	Convertible	Pair	24.58
MKPC 65IG	65	Ivy Gold	Convertible	Pair	24.58
MKPC 65PO	65	Palomino	Convertible	Pair	24.58
MKPC 65RD	65	Red	Convertible	Pair	24.58
MKPC 65WT	65	White	Convertible	Pair	24.58
MKPC 66AQ	66	Aqua	Convertible	Pair	24.58
MKPC 66BU	66	Blue	Convertible	Pair	24.58
MKPC 66MN	66	Maroon	Convertible	Pair	24.58
MKPC 66PT	66	Parchment	Convertible	Pair	24.58
MKPC 67AQ	67/68	Aqua	Convertible	Pair	24.58
MKPC 67BK	67/68	Black	Convertible	Pair	24.58
MKPC 67BU	67/68	Blue	Convertible	Pair	24.58
MKPC 67IG	67/68	Ivy Gold	Convertible	Pair	24.58
MKPC 67PT	67/68	Parchment	Convertible	Pair	24.58
MKPC 67RD	67/68	Red	Convertible	Pair	24.58
MKPC 67SD	67/68	Saddle	Convertible	Pair	24.58
MKPC 68MN	67/68	Maroon	Convertible	Pair	24.58

## Kick Panel Insulation

MKP IN This Insulation pad is made to fit coupe or convertible kick panel and just needs to be glued in place. Glue is sold separately. Use part # MHL KT. 65/68

65/68	Pair	7.23
-------	------	------

## Kick Panel Moulding for 65/66 Pony Interior

M 02346A	Pony Interior 65/66	Pair	18.63
----------	---------------------	------	-------

# WHEELS & WHEEL COVERS



M 1007B Wheel

M 1007A Wheel

M 1007H Wheel

M 1130A Wheel Center

<b>M 1007</b>	<b>Styled Steel &amp; "Magnum 500" Wheel Assemblies</b>		
M 1007	65/73; Magnum 500 Wheel; 14" x 7, (5-Lug Pattern) Each	189.00	
M 1007A	65; Styled Steel Wheel, 14" x 5, (5-Lug Pattern) .....	Each	165.00
M 1007B	66; Styled Steel Wheel, 14" x 5, (5-Lug Pattern) .....	Each	149.95
M 1007C	67; Styled Steel Wheel, 14" x 5, (5-Lug Pattern) .....	Each	149.95
M 1007E	69/72; Magnum 500 Wheel; 15" x 7, (5-Lug Pattern) Each	199.95	
M 1007F	68/69; Styled Steel Wheel, 14" x 6 (5-Lug Pattern) ...	Each	179.95
M 1007G	65/73; Vintage 45 Wheel 15" x 7 with a 3 7/8" Back Space.....	Each	225.00
M 1007H	65/73; Vintage 45 Wheel 17" x 7 with a 3 3/4" Back Space.....	Each	325.00
M 1007J	65/73; Vintage 50 Wheel 15" x 7 with a 3 7/8" Back Space.....	Each	225.00
M 1007K	65/73; Styled Steel Wheel 15" x 7 .....	Each	179.95
M 1007L	65/73; Styled Steel Wheel 15" x 8 .....	Each	189.95

\*Note: The above wheels will be shipped plus freight.

## Wheel Covers & Center Caps

M 1130A	65/66; Reproduction; 3-Ear Knock-Off Type Center w/Blue Emblem, as used on wire wheel covers. ....	Each	35.68
M 1130B	65; Metal Knock-Off Type Center for Standard Wheel Cover .....	Each	36.95
M 1130C	66; Metal Knock-Off Type Center for Standard Wheel Cover .....	Each	36.95
M 1130E	66; 14" Less Center .....	Each	59.95
M 1130EC	65; Center For Standard Wheel Cover, Black With Running Horse .....	Each	17.29
M 1130F	65; 14" Less Center .....	Each	65.95
M 1130FC	65; Center For Standard Wheel Cover, Black With "Mustang" .....	Each	17.29
M 1130G	65/66; (GT), 2 1/2" Imprinted "Mustang", Red Center, Use On Styled Steel Wheel .....	Each	23.18
M 1130H	65/66; Blue Center.....	Each	24.95
M 1130I	67; 3 3/4" Diameter, Push-In Type; (Stamped C7ZA-E).....	Each	32.27
M 1130J	65/66; Black Center .....	Each	24.95
M 1130K	68/69; 7 1/2" Dia., GT Emblem, (Stamped C80A-C, D) .....	Each	36.31
M 1130L	68/71; 7 1/2" Diameter, Plain Center, Use With Styled Steel Wheel, (Stamped C80A-J) .....	Each	30.25
M 1130Q	69/70; GT350/500, 2 7/8" Dia., Use w/Styled Steel Wheels Black Center with Gold Cobra Snake; (Stamped S9MS-B) .....	Each	49.95
M 1130S	71/73, From 4/2/71, 2 3/4"; Use With 15"x7" Magnum 500 Wheel; Mustang Emblem, Black Center Fits 2 1/8" Center Hole .....	Each	39.95
M 1130W	64/67; 14" Hub Cap, Simulates Style Steel Wheel. Does Not Include Centers. (Set of 4) Order Part # M 1130G .....	Per Set	156.50
M 1130-2	65/66; Wire Wheel Less Center .....	Each	98.95
M 1130-3	67/69; Wire Wheel Cover With Red Center .....	Each	149.95
M 1130-4	65; Knock-Off Type Center Insert Red, White & Blue With Black Center .....	Each	17.75
M 1130-5	66; Knock-Off Type Center Insert; Deep Dish, Black & Silver Ribs With Running Horse Center .....	Each	17.75
M 1130-7	67; Hub & Insert For Wire Wheel Cover; Red, Deep Dish .....	Each	17.75
M 1132B	67; GT350/500, Emblem, "Shelby Cobra," 2 3/8", Use With 2 3/4" Wheel Cap .....	Each	6.95

M 1130B Wheel Center (Part M 1130-4 Shown Below Must Be Purchased Separately)



M 1130-4 Wheel Insert



M 1130-5 Wheel Insert

M 1130C Wheel Center (Part M 1130-5 Shown Below Must Be Purchased Separately)



M 1130E



M 1130K



M 1130L



M 1130F



M 1130-3



M 1130-4



M 1130-5



M 1130G



M 1130I



M 1130S



M 1130Q



# WHEELS & WHEEL COVERS

## GT Wheel Paint

Give your 65/67 GTWheels a like-new luster with a coat of our GTWheel Paint. Formulated to match the original factory look. Used on inset sections of GTWheels that were finished in metallic charcoal. Also protects those expensive wheels from rust and pitting along the way.

M 1007S GT Wheel Paint for '65/67 GTWheels..... Each 8.95

### Wheel Hub

M 1104A 65/67; Drum Brakes (5-Lug) ..... Each 25.95  
 M 1104B 65/66; Drum Brakes (4-Lug) ..... Each 69.75

### M 1107 Wheel Hub Bolt

M 1107B 65/72, 1/2" - 20 x 1 5/8", Rear..... Each 1.95  
 M 1107C 65/72, Drum Brakes, 1/2" - 20 x 1 9/16", Front Each 3.80  
 M 1107D 65/72 Front 1 9/16" ..... Each 2.37  
 M 1107E 68, Disc Brakes, 1/2" - 20 x 1 5/8", Front..... Each 4.15

### M 1131 Grease Cap

M 1131A 65/73; V8, Front Wheel Grease Cap ..... Each 2.53  
 M 1131B 65/66; 6 Cyl., Front Wheel Grease Cap..... Each 2.02  
 M 1131C 69; Boss 302, Front Wheel Grease Cap ..... Each 3.45

### M 1177 Rear Wheel Bearing Oil Seal

M 1177A 65/66, 6 Cylinder ..... Each 6.95  
 M 1177B 65/66, 8 Cylinder ..... Each 6.95  
 M 1177C 69/72; 1 1/2" I.D., 2 17/64" O.D.;  
 To Seal 1 1/2" Shaft with 31-Spline Axle ..... Each 11.06  
 M 1177D 67/68, to seal; 1 1/2" shaft  
 69/72, (exc. 7 1/4" ring gear) to seal 1 3/8" shaft;  
 Use with 28-Spline Axle..... Each 3.74

### M 1190 Front Wheel Hub Grease Retainer

M 1190A 65/66, 8 Cylinder, Drum brakes & 67/69,  
 Drum Brakes ..... Each 3.59  
 M 1190B 69 Boss 302, 429, Disc Brakes ..... Each 3.59  
 M 1190C 65/69, Disc brakes, (Except Boss);  
 70/73, All..... Each 2.93

### M 1195 Front Wheel Outer Bearing Retainer Washer

M 1195A 65/66, 8 Cylinder;  
 67/69, All..... Each 8.75  
 M 1195B 70/73, All..... Each 4.75

### M 1201 Front Wheel Inner Bearing

M 1201A 65/66, 6 Cylinder; (Stamped L-44649)..... Each 7.58  
 M 1201B 65/66, 8 cyl., 67/69 (exc. Boss), 70 - GT350/500;  
 (Stamped LM67048) ..... Each 8.89  
 M 1201C 65/72; (Stamped LM68149) ..... Each 8.99  
 M 1201D 69, Boss 302, 429 disc brakes;  
 (Stamped LM 48548) ..... Each 9.60

### M 1202 Front Wheel Bearing Inner Cup

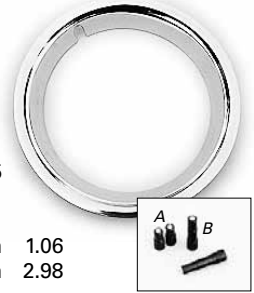
M 1202A 65/66, 6 Cylinder; (Stamped L44610) ..... Each 6.01  
 M 1202B 65/70, 8 Cylinder; (Stamped LM67010) ..... Each 4.55  
 M 1202C 65/70, 8 Cylinder; (Stamped LM 68110) ..... Each 5.00  
 M 1202D 69, Boss 302, 429, disc brakes;  
 (Stamped LM48510) ..... Each 6.57



### Product Licensing

Larry's Thunderbird & Mustang Parts manufactures, sells and distributes a number of official Ford-Licensed & Approved parts and accessories. The logo shown above identifies these officially licensed products and our commitment to offering only the finest products available for your vehicle.

## Styled Steel Wheel Trim Rings



M 1210A 66/67 ..... 17.95

### Tire Valve Stem Extension

M 1705A 7/8" long ..... Each 1.06  
 M 1705B 1 1/4" long ..... Each 2.98

### M 1216 Front Wheel Outer Bearing

M 1216A 65/66, 6 Cylinder; (Stamped LM11749) ..... Each 6.95  
 M 1216B 65/70; (Stamped LM11949)..... Each 6.95  
 M 1216C 67/70; (Stamped LM12749) ..... Each 6.95  
 M 1216D 69, Boss 302, 429, disc brakes;  
 (Stamped M12649) ..... Each 6.95

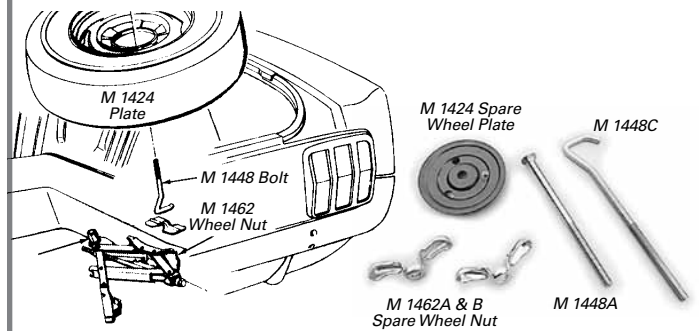
### M 1217 Front Wheel Bearing Outer Cup

M 1217A 65/66, 6 Cylinder; (Stamped LA11710) ..... Each 3.99  
 M 1217B 65/70; (Stamped LM11910)..... Each 3.99  
 M 1217C 65/70; (Stamped LM12700)..... Each 3.99  
 M 1217D 69, Boss 302 & 429, disc brakes;  
 (Stamped M12610) ..... Each 3.99

### M 1225 Rear Axle Bearing

M 1225A 65/72; 8 Cyl., 1 3/8" I.D. - 2 13/16" O.D.  
 • #207CC, 207DD ..... 9.95  
 M 1225B 65/72; 6/8 Cyl., 1 5/16" I.D. - 2 11/16" O.D.  
 • #RWF34R, F206KK..... 9.95

## Spare Wheel Parts



### M 1424 Spare Wheel Mounting Plate

M 1424A 65/67 ..... 3.50

### M 1448 Spare Wheel Mounting Bolt

M 1448A 64 1/2", Carriage Bolt Type ..... 3.25  
 M 1448C 65/66, Standard wheel,  
 67 styled steel wheel ..... 4.65

### M 1462 Spare Wheel Mounting Mounting Nut

M 1462A 65/67 ..... 3.95  
 M 1462B 68/73 ..... 3.65

### M 17032 Jack Handle

M 17032A 65/73; Rachets Like the Original ..... Each 49.95

### M 17080 Jack Assembly

M 17080A 65/73; Scissors-type..... Each 75.70

# BRAKE SYSTEM

<b>M 1012</b>	<b>Wheel Hub Bolt Nut</b>		
★M 1012A	65/73, Standard Rim.....	Each	.30
★M 1012B	65/69, Styled Steel Wheel (exc. GT350/500) 70, Boss Styled Steel Wheel.....	Each	1.75
<b>M 1102</b>	<b>Hub &amp; Rotor - Front Wheel Disc Brakes</b>		
M 1102A	65/67.....	Each	59.95
M 1102B	68/69.....	Each	80.27
M 1102C	70/73.....	Each	59.95
<b>M 1107</b>	<b>Wheel Hub Bolt</b>		
M 1107B	65/72, 1/2" - 20 x 1 5/8", Rear.....	Each	1.95
M 1107C	65/72, Drum Brakes, 1/2" - 20 x 1 9/16", Front.....	Each	3.80
M 1107D	65/72 Front, 1 9/16".....	Each	2.37
M 1107E	68, Disc Brakes, 1/2" - 20 x 1 5/8", Front.....	Each	4.15
<b>M 1125</b>	<b>Front Brake Drum</b>		
M 1125A	65/66; 6 Cylinder, 9" x 1 1/4".....	Each	58.85
M 1125B	67/71; 6 Cylinder, 9" x 1 1/2".....	Each	49.95
M 1125C	65/73; 8 Cylinder, 10" x 2 3/4".....	Each	55.50
	<i>See Page 125 For Attaching Parts Kit MHK 133.</i>		
<b>M 1126</b>	<b>Rear Brake Drum</b>		
M 1126A	65/70; 6 Cylinder; 9" x 1 1/2".....	Each	58.85
M 1126B	65/72; 8 Cylinder; 10" x 1 3/4".....	Each	58.85
M 1126C	65/66; 6 Cylinder; 9" x 2 1/4".....	Each	58.85
M 1126D	69/72; 8 Cylinder; 10" x 2".....	Each	61.00
	<i>See Page 125 For Attaching Parts Kit MHK 133.</i>		
<b>M 1131</b>	<b>Front Hub Grease Cap</b>		
M 1131A	65/66, 8 Cylinder; 67/73 (exc. Boss); 1 25/32" O.D.....	Each	2.53
M 1131B	65/66, 6 Cylinder; 1 37/64" O.D.....	Each	2.02
M 1131C	69, Boss 302; 1 31/32" O.D.....	Each	3.45
<b>M 1190</b>	<b>Front Wheel Hub Grease Retainer</b>		
M 1190A	65/66, 8 Cylinder, Drum brakes; 67/69, Drum Brakes.....	Each	3.59
M 1190B	69 Boss 302, 429, Disc Brakes.....	Each	3.59
M 1190C	65/69, Disc brakes, (Except Boss); & 70/73, All.....	Each	2.93
<b>M 1195</b>	<b>Front Wheel Outer Bearing Retainer Washer</b>		
M 1195A	65/66, 8 Cylinder; & 67/69, All.....	Each	8.75
M 1195B	70/73, All.....	Each	4.75
<b>M 1201</b>	<b>Front Wheel Inner Bearing</b>		
M 1201A	65/66, 6 Cylinder; (Stamped L-44649).....	Each	7.58
M 1201B	65/66, 8 cyl., 67/69 (exc. Boss), 70 - GT350/500; (Stamped LM67048).....	Each	8.89
M 1201C	65/72; (Stamped LM68149).....	Each	8.99
M 1201D	69, Boss 302, 429 disc brakes; (Stamped LM 48548).....	Each	9.60
<b>M 1202</b>	<b>Front Wheel Bearing Inner Cup</b>		
M 1202A	65/66, 6 Cylinder; (Stamped L44610).....	Each	6.01
M 1202B	65/70, 8 Cylinder; (Stamped LM67010).....	Each	4.55
M 1202C	65/70, 8 Cylinder; (Stamped LM 68110).....	Each	5.00
M 1202D	69, Boss 302, 429, disc brakes; (Stamped LM48510).....	Each	6.57
<b>M 1216</b>	<b>Front Wheel Outer Bearing</b>		
M 1216A	65/66, 6 Cylinder; (Stamped LM11749).....	Each	6.95
M 1216B	65/70; (Stamped LM11949).....	Each	6.95
M 1216C	67/70; (Stamped LM12749).....	Each	6.95
M 1216D	69, Boss 302, 429, disc brakes; (Stamped M12649).....	Each	6.95
<b>M 1217</b>	<b>Front Wheel Bearing Outer Cup</b>		
M 1217A	65/66, 6 Cylinder; (Stamped LA11710).....	Each	3.99
M 1217B	65/70; (Stamped LM11910).....	Each	3.99
M 1217C	65/70; (Stamped LM12700).....	Each	3.99
M 1217D	69, Boss 302 & 429, disc brakes; (Stamped M12610).....	Each	3.99
<b>M 2021</b>	<b>Brake Booster Rod Boot</b>		
M 2021A	65/66.....		7.95
<b>M 2034</b>	<b>Brake Spring &amp; Adjuster Kit</b>		
M 2034AK	64/71; 8 Cyl., 10" Front Drum, Includes Both Sides.....		29.95
M 2034BK	64/71; 6 Cyl., 9" Front Drum, Includes Both Sides.....		29.95
M 2034CK	72/73; 6 & 8 Cyl.(All), Front Drum, Incl. Both Sides.....		29.95
M 2034DK	64/70; 6 Cyl.(All), 9" Rear Drum, Includes Both Sides.....		29.95
M 2034EK	64/71; 8 Cyl., 10 x 1 3/4" Rear Drum, Incl. Both Sides.....		29.95
M 2034FK	64/71; 8 Cyl., 10 x 2" Rear Drum, Includes Both Sides.....		29.95
M 2034GK	72/73; 8 Cyl.(All), 10 x 1 3/4" Rear Drum, Incl. Both Sides.....		29.95
M 2034HK	72/73; 8 Cyl., 10 x 2" Rear Drum, Includes Both Sides.....		29.95

## Increase your Mustang's Stopping Power with Replacement Brake Pads

All Brake Pad Sets install directly into original equipment brake systems. Don't overlook this essential maintenance item when working on your Mustang!

<b>M 2001</b>	<b>Brake Shoes - Front</b>		
M 2001A	65/68; 6 Cylinder & 69/72; 200.....	Per Set	19.23
M 2001B	65/68; 289 & 302 69/71; 250 & 302 (before 5/21/71)10 x 2 1/4".....	Per Set	21.37
M 2001C	67/72; 351C, Big Block (before 10/20/70) 73; All.....	Per Set	20.15
M 2001D	65/67; Disc Brakes.....	Per Set	29.95
M 2001E	68/73; Disc Brakes.....	Per Set	27.49
<b>M 2200</b>	<b>Brake Shoes - Rear</b>		
M 2200A	64/68; 6 Cylinder & 69/72; 200.....	Per Set	28.75
M 2200B	64/68; Small Block 67/68; 390 69/72; 250 & 302, 10 x 1 3/4".....	Per Set	23.51
M 2200C	69/72; 351, 390 & 428, 73; All, 10 x 2".....	Per Set	23.51

## Power Brake Conversion Systems

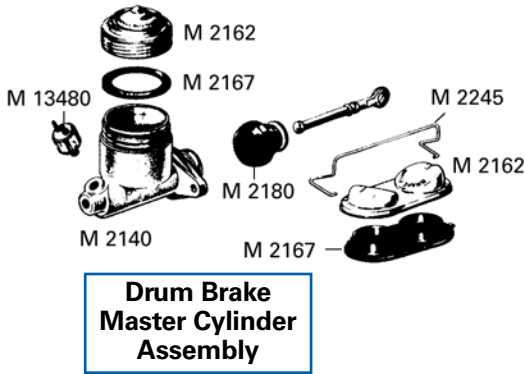


These Power Brake Conversion Systems include a dual-reservoir Master Cylinder, Brake Booster, Mounting Bracket & Adjustable Pedal Rod. Changing the brake pedal is not required on these units. Kit does not require a proportioning valve.

M 2005A	65/66; A/T, Front Disc/Rear Drum.....	Each	373.65
M 2005B	65/66; M/T, Front Disc/Rear Drum.....	Each	373.65
M 2005C	65/66; A/T, Front Disc/Rear Disc.....	Each	373.65
M 2005D	65/66; M/T, Front Disc/Rear Disc.....	Each	373.65
M 2005E	65/66; A/T, Front Drum/Rear Drum.....	Each	373.65
M 2005F	65/66; M/T, Front Drum/Rear Drum.....	Each	373.65
M 2005G	67/70; Front Disc/Rear Drum.....	Each	373.65
M 2005H	67/70; Front Drum/Rear Drum.....	Each	373.65
M 2005I	67/70; Front Disc/Rear Disc.....	Each	373.65

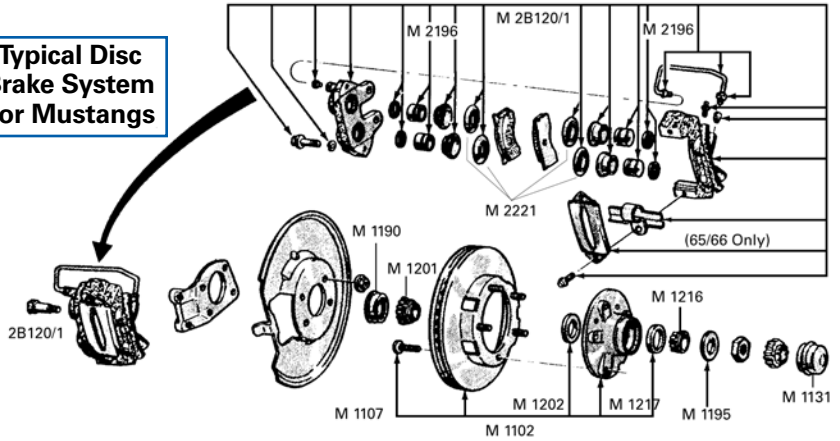
<b>M 2061/2</b>	<b>Front Wheel Brake Cylinder</b>		
M 2061A	65/70, RH; 9" x 2 1/4" Brake, 1 1/16" Diameter • 6 Cylinder.....		23.18
M 2062B	65/70, LH; 9" x 2 1/4" Brake, 1 1/16" Diameter • 6 Cylinder.....		25.20
M 2061C	65/71, RH; 10" x 2 1/4" Brake, 1 1/8" Diameter • 8 Cylinder.....		25.20
M 2062D	65/71, LH; 10" x 2 1/4" Brake, 1 1/8" Diameter • 8 Cylinder.....		23.18
M 2061E	66/69, RH; 10" x 2 1/2" Brake, 1 3/32" Diameter • 8 Cylinder.....		23.18
M 2062F	66/69, LH; 10" x 2 1/2" Brake, 1 3/32" Diameter • 8 Cylinder.....		23.18
<b>M 2078</b>	<b>Front Brake Hose</b>		
M 2078A	64/65, RH or LH, 15" long, drum brakes; before 8/17/64.....	Each	14.95
M 2078B	65/66, RH or LH, 13 1/4" long, drum brakes; after 8/17/64.....	Each	14.95
M 2078C	67/70, RH or LH, 13 1/4" long, drum brakes..	Each	14.95
M 2078D	65/66, RH or LH, 15" long, disc brakes.....	Each	17.50
M 2078E	68/70, RH, 13 13/16" long, disc brakes.....	Each	26.21
M 2078F	67, RH or LH, disc brakes only; 14 1/4" long..	Each	34.95
M 2078G	68/70, LH, 13 13/16" long, disc brakes.....	Each	26.21
M 2078H	71/73; RH.....	Each	28.95
M 2078I	71/73; LH.....	Each	28.95

# BRAKE SYSTEM



**Drum Brake Master Cylinder Assembly**

**Typical Disc Brake System For Mustangs**



<b>M 2091</b>	<b>Disc Brake Pressure Control Valve</b>	
M 2091B	65/67; Adjustable Replacement Type.....	55.50
<b>M 2092</b>	<b>Brake Adjusting Hole Plug</b>	
M 2092A	65/73, Front & Rear, Rubber.....	Each .26
<b>M 2106</b>	<b>Parking Brake Lever Pin Retainer</b>	
M 2106A	65/73 .....	Each .97
<b>M 2120/1</b>	<b>Front Disc Brake, Remanufactured Caliper Assembly</b>	
M 2120A	65/66, RH .....	145.00
M 2121B	65/66, LH.....	145.00
M 2120C	67, RH; Need Core in Advance .....	159.95
M 2121D	67, LH; Need Core in Advance .....	159.95
M 2120E	68/73, RH.....	99.95
M 2121F	68/73, LH.....	99.95
	<i>Note: Core Charge Per Caliper .....</i>	60.00
<b>M 2127</b>	<b>Disc Brake Pad Retainer Plate</b>	
M 2127A	65/66 .....	Each 32.27
<b>M 2129</b>	<b>Brake Master Cylinder Push Rod Spacer</b>	
M 2129A	65/73 .....	.85

## Disc Brake Conversion Kits



M2123A

### Front Kits

M 2123A	64 1/2/66; Non-Power, Single M/C, V-8.....	Kit 1075.00
M 2123B	67; Non-Power, 4-Piston.....	Kit 1075.00
M 2123C*	68/69; Non-Power, Single-Piston.....	Kit 1075.00
M 2123D*	68/69; With Power, Single-Piston .....	Kit 1425.00
M 2123E**	65/70; V8, 5-Lug .....	Kit 895.00
M 2123F	65/66; 6 Cylinder, 4-Lug.....	Kit 825.00
M 2123G	67/69; 6 Cylinder, 4-Lug.....	Kit 825.00

\*Note: If converting from Non-Power to Power you must change the brake pedal under the dash. \*\*Note: Single Piston Aftermarket Kit. Note: Above Kits Will Not Fit With Stock Wheels. 65/66 Only.

### Rear Kits

M 2124A	64 1/2/73; 8" & 9" Axle - 28 Spline, Small Bearing (RWF 34R) - 14" Wheels.....	Kit 945.00
M 2124B	65/70, V8, 5-Lug.....	Kit 825.00

## Master Cylinder Filler Caps



M 2162A & E Caps    M 2162B & F Caps    M 2162C & G Caps

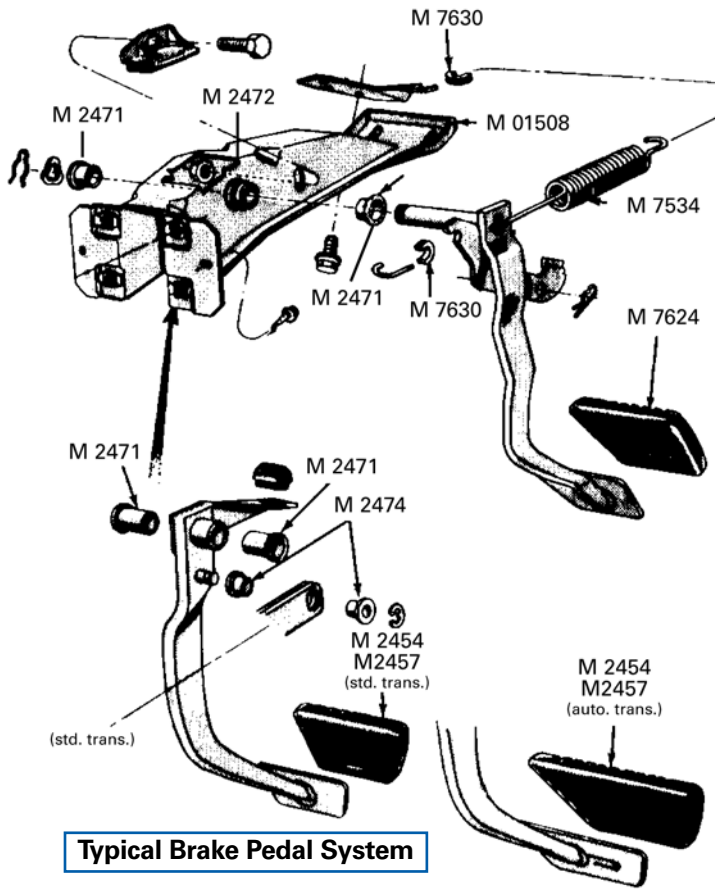


M 2162D & H Caps    M 2167C    M 2167D

M 2162A	65/66, Disc Brakes.....	19.95
M 2162B	65/66, Drum Brakes .....	15.10
M 2162C	67/73, Disc Brakes.....	17.25
M 2162D	67/73, Drum Brakes .....	18.95
M 2162E	65/66, Disc Brakes.....	Chrome 28.95
M 2162F	65/66, Drum Brakes .....	Chrome 20.35
M 2162G	67/73, Disc Brakes.....	Chrome 21.95
M 2162H	67/73, Drum Brakes .....	Chrome 24.95
	<i>Note: Please see diagram above for this part.</i>	
<b>M 2167</b>	<b>Brake Master Cylinder Filler Cap Gasket</b>	
M 2167B	65/66; Disc Brakes.....	8.43
M 2167C	67/73, Drum Brakes, 72/73, Disc Brakes; 5" long	6.95
M 2167D	67/71, Disc Brakes .....	5.66

<b>M 2140</b>	<b>Brake Master Cylinder</b>	
M 2140A	65; Manual Drum Brakes .....	60.55
M 2140B	65/66; Disc; (Before 1/3/66, Except GT).....	98.95
M 2140C	66; Manual Drum Brakes .....	65.60
M 2140D	67/70; Manual Drum Brakes .....	74.95
M 2140E	67/72; Power Disc Brakes.....	69.65
<b>M 2149</b>	<b>Brake Line Connector Gasket</b>	
M 2149A	65/69; (Before 10/15/68); 3/8" I.D. ....	Each .80
<b>M 2164</b>	<b>Disc Brake Pad Retainer Plate</b>	
M 2164A	67 .....	Each 14.75
<b>M 2180</b>	<b>Brake Master Cylinder Boot</b>	
M 2180A	65/73; Drum Brakes Only .....	5.04
<b>M 2196</b>	<b>Disc Brake Caliper Piston</b>	
M 2196A	65/66 .....	12.95
M 2196B	67 .....	15.40
M 2196C	68/73 .....	22.22
<b>M 2200</b>	<b>Rear Brake Shoes</b>	
M 2200A	64/72; 170, 200 .....	Each 28.75
M 2200B	64/72; 250, 289 .....	Each 23.51
M 2200C	69/72; 351, 390 .....	Each 23.51

# BRAKE SYSTEM



## Heavy-Duty Brake Line Sets

Larry's Brake Line Sets include all lines necessary to make your installation as per original set up. Lines are made of seamless stainless steel and have a burst strength of 6000 PSI. All lines are pre-bent and come with correct flared-ends and fittings. Please check your lines to ensure optimal safety of your Mustang.

M 2269A	64 1/2-65; W/O Power Drum Brakes, 8 Cylinder, Single Exhaust	121.15
M 2269B	64 1/2-65; With Power Drum Brakes, 8 Cylinder, Dual Exhaust...	121.15
M 2269C	65/66; Without Power Drum Brakes, 8 Cylinder, Single Exhaust	121.15
M 2269D	65/66; Without Power Drum Brakes, 8 Cylinder, Dual Exhaust ...	121.15
M 2269E	65/66; With Disc Brakes; 8" rear end & Single exhaust.....	121.15
M 2269F	65/66; With Disc Brakes; 9" rear end & original exhaust.....	121.15
M 2269G	67, With Power Disc Brakes; 8" or 9" rear end, before 2/67 .....	121.15
M 2269H	67, With Power Disc Brakes; 8" or 9" rear end, after 2/67.....	121.15
M 2269I	67, With Power Drum Brakes; 8" or 9" rear end, before 2/67 .....	121.15
M 2269J	67, With Power Drum Brakes; 8" or 9" rear end, after 2/67 .....	121.15
M 2269K	67, With Standard Drum Brakes; 8" or 9" rear end, before 2/67 .	121.15
M 2269L	67, With Standard Drum Brakes; 8" or 9" rear end, after 2/67 ....	121.15
M 2269M	68/69, With Power Drum Brakes; 8" rear end.....	121.15
M 2269N	68/69, With Standard Drum Brakes; 8" rear end .....	121.15
M 2269O	68/69, With Power Disc Brakes; 8" rear end .....	121.15
M 2269P	68/69, With Power Disc Brakes; 9" rear end with 28-spline axle.	121.15
M 2269Q	68/69, With Power Disc Brakes; 9" rear end with 31-spline axle.	121.15

See Page 125 For Attaching Parts Kit MHK 242.

### M 2365 Power Brake Booster Check Valve

M 2365A	67/68, Midland Ross Booster.....	7.65
M 2365B	69/73, Disc brakes w/Bendix booster.....	8.75



M 2454A



M 2454B



M 2454C



M 2454D

### M 2454 Brake Pedal With Disc Brake Pads

M 2454A	65/67; Automatic Transmission.....	10.66
M 2454B	65/73; Standard Transmission.....	17.40
M 2454C	69/73; Parking Brake.....	14.94
M 2454D	68/73; Auto & Disc Brakes.....	11.73
M 2454E	70 .....	Each 3.99

## Brake Pedal Pads



M 2457B



M 2457D



M 2457E

### M 2457 Brake Pedal Without Disc Brake Pads

M 2457B	65/73; M/T, Manual Brakes.....	2.25
M 2457C	65/67; A/T, Power Drum.....	Each 13.58
M 2457D	65/67; A/T, Manual Brakes.....	7.45
M 2457E	68/73; A/T, Drum Brakes.....	3.95

<b>M 2221</b>	<b>Disc Brake Caliper Seal Kit</b>		
M 2221A	65/66; (2 Required Per Car) .....	Each	18.94
M 2221B	67; (2 Required Per Car) .....	Each	22.95
M 2221C	68/73; (2 Required Per Car) .....	Each	12.95
<b>M 2257</b>	<b>Distribution Block Valve</b>		
M 2257B	65/66; Disc Brakes .....		49.95
M 2257C	67 .....		74.95
M 2257E	70-July 72.....		89.95
<b>M 2261/2</b>	<b>Rear Wheel Brake Cylinder</b>		
M 2261A	64 1/2; (Before 8/17/64), 6 Cyl., RH or LH; 13/16" .....	Each	23.18
M 2261B	64 1/2/70; (From 8/17/64), RH or LH; 27/32", 6 Cyl. ....	Each	23.18
M 2261C	64/66; RH, (Before 4/15/66), 29/32"; 8 Cylinder .....		23.18
	70/72; RH, Boss 302, 351, 428, 429 .....		23.18
M 2262D	64 1/2/66; LH, (Before 4/15/66), 29/32"; 8 Cylinder .....		23.18
	70/72; LH, Boss 302, 351, 428, 429 .....		23.18
M 2261E	66/73; RH, (From 4/25/66; Except 67/68 289 4-Bbl.) .....		23.18
	250, 289, 302, 351, 390, 428 .....		23.18
M 2262F	66/73; LH, (From 4/15/66), 250, 289, 302, 351, 390, 428 .....		23.18
	67/68; RH or LH, 289 4-Bbl .....		23.18
M 2262H	67/68; RH or LH; 13/16"; 390 .....	Each	24.19
<b>M 2264</b>	<b>Brake Pressure Valve Warning Lamp Switch</b>		
M 2264B	67/69 .....		26.95
M 2264C	70/72 .....		26.95
<b>M 2282</b>	<b>Rear Brake Hose</b>		
M 2282A	65/66; 8 Cylinder 260 & 289 .....		24.94
M 2282B	65/66; 6 Cylinder, 13 1/2" Long .....		23.50
M 2282C	67/69 .....		29.75
M 2282D	71/73 .....		39.95
M 2282E	70 .....		34.29
M 2282F	65/66; GT 8 Cylinder .....		29.95
<b>MHK 60</b>	<b>Clip Kit, Brake &amp; Fuel Line, 65/67</b>		
	(1) pc. 5/16" Fuel Line, 21 pcs.....		21.15

# BRAKE SYSTEM

## Brake & Clutch Pedal Support Bushing



<b>M 2471</b>	<b>Brake and Clutch Pedal Support Bushing</b>		
M 2471A	65/68; Brake & Clutch 69/73; Brake Only .....	Each	1.65
<b>M 2472</b>	<b>Brake &amp; Clutch Pedal Support Repair Kit</b>		
M 2472A	65/70; Includes (2) Nylon Bushings.....	Set	19.95
	Note: Also See Part Number 7520.		
M 2472B	65/73; Includes (2) Roller Bearings, (1) Shaft, ..	Set	49.44
	(2) Nylon Bushings, (5) Washers, (1) Cotter Pin and (2) Snap Rings.		
<b>M 2474</b>	<b>Brake Master Cylinder Push Rod Bushing</b>		
M 2474A	65, (Before 8/17/64); 1/8" long .....	Each	6.95
M 2474C	65/72; 5/16" long.....	Each	4.99

## Brake Pedal Pad Covers



M 2487A	65/73; M/T .....	9.95
M 2487B	65/67; A/T .....	5.85
M 2487C	68/70; A/T .....	8.75
M 2487D	69/73; Polished Stainless.....	Each 10.50

<b>M 2602</b>	<b>Parking Brake Cable Equalizer</b>		
M 2602A	65 .....	12.75	
M 2602B	66 .....	12.75	
M 2602C	67/70 .....	17.95	
<b>M 2603</b>	<b>Parking Brake Bracket</b>		
M 2603A	67/68; Lever Bracket, LH.....	21.95	
M 2603B	67/68; Idler Bracket, RH.....	21.95	
<b>M 2605</b>	<b>Parking Brake Equalizer Lever</b>		
M 2605A	65/66 .....	19.65	
M 2605B	67/68 .....	12.95	
<b>M 2628</b>	<b>Park Brake Equalizer Rod</b>		
M 2628A	65/73, .....	13.87	
<b>M 2635</b>	<b>Parking Brake Cable Assembly - Rear</b>		
M 2635A	67; RH or LH.....	Each 26.66	
M 2635B	68; RH, 6 cylinder.....	29.90	
M 2635C	66; 1 pc; 160 1/4" long.....	39.95	
M 2635D	68/69; LH; 8 cylinder.....	23.18	
M 2635E	65; 6 or 8 cylinder, RH or LH.....	Each 22.17	
M 2635F	68; RH, 8 cylinder.....	37.07	
M 2635G	68/69; 6 cylinder; 70 200, LH.....	29.24	
M 2635H	69; RH, 6 cylinder; before 2/17/69.....	33.28	
M 2635I	69/70; RH, 6 cylinder; from 2/17/69 .....	25.20	
M 2635J	69; RH, 8 cylinder.....	29.95	
M 2635K	70/73; RH, 133 1/8" long.....	27.22	
M 2635L	70/73; LH, 31" long.....	27.22	
<b>M 2637/8</b>	<b>Parking Brake Cable Brake Shoe Lever</b>		
M 2637A	65/72; RH, V8 .....	26.75	
M 2638A	65/72; LH, V8 .....	26.75	

These are the levers mounted inside the rear drum.

<b>M 2649</b>	<b>Parking Brake Cable Bracket</b>		
M 2649A	64/65; Includes Attaching Parts.....	Set	12.95
M 2649B	66; Includes Attaching Parts.....	Set	14.95
<b>M 2651</b>	<b>Parking Brake Lever Return Spring</b>		
M 2651A	65/68 .....	6.77	
M 2651B	69/70; Black Finish .....	8.77	
M 2651C	71/73; Black Finish .....	9.77	
<b>M 2790</b>	<b>Parking Brake Cable Connector</b>		
M 2790A	67-73 .....	8.50	
<b>M 2808</b>	<b>Parking Brake Cable Idler</b>		
M 2808A	67/73 .....	8.95	
<b>M 2814</b>	<b>Emergency Brake Cable Clip</b>		
M 2814A	65/73 .....	Each 1.59	

## Parking Brake Handles



<b>M 2760</b>	<b>Parking Brake Handle</b>		
M 2760A	65/66; Includes Retaining Pin.....	6.50	
M 2760B	67/68; Includes Retaining Pin.....	6.95	

## Parking Brake Assembly

<b>M 2780</b>	<b>Parking Brake Assembly</b>		
M 2780A	65/66.....	75.00	
M 2780B	67/68.....	75.00	
M 2780C	69.....	75.00	
M 2780D	70.....	75.00	

<b>M 2853</b>	<b>Parking Brake Cable - Front</b>		
M 2853A	65/66 .....	19.95	
M 2853B	67/68 .....	18.95	
M 2853C	69/70 .....	26.95	
M 2853D	71/73 .....	19.95	
<b>M 01508</b>	<b>Brake Pedal Support Bracket - Under Dash</b>		
M 01508A	65/66 .....	69.95	
<b>M 13480</b>	<b>Brake Switch</b>		
M 13480A	64 1/2; Generator .....	Each 14.95	
M 13480B	65/70; Alternator w/o Power .....	Each 12.75	
M 13480C	67/68; Power Disc .....	Each 23.95	
M 13480D	67/68; Power Drum.....	Each 19.95	

## Back Up Lamp Body

<b>M 15500</b>	<b>Back Up Lamp Body</b>		
M 15500A	69/70; RH.....	Each 33.28	
M 15500B	69/70; LH.....	Each 33.28	

<b>M 15852</b>	<b>Parking Brake Warning Light</b>		
M 15852A	64/65;.....	54.95	
M 15852B	67/68;.....	54.95	

These lights look exactly like the originals, but feature state-of-the-art LED light that will not melt the lens like the originals did. The LED light is rated at 100,000 hours and will last for years. Our 64-66 warning light is designed to easily mount on the lower part of the dash without the need to drill the large hole that the original light required. Our 67-68 warning light comes complete with the OE underdash mounting bracket. Both kits come complete with a switch and bracket assembly to install on the parking brake unit.

## Attaching Hardware for this Section

MHK 133	Brake Adjust Hole Plug; 65/73 .....	Each 2.76
MHK 242	Brake Line Grommet; 65/69 .....	Each 1.48

## Front End Suspension Kits

One major ingredient in the handling characteristics of any automobile is the suspension setup. Every suspension system is eventually susceptible to wear; an easy solution is installing our new suspension kit. Your suspension system will be greatly enhanced and will bring greater safety to you and your car. Each kit comes with components manufactured from the finest-grade materials. Isn't it time for your Mustang to handle better?

### #3000 Suspension Kit

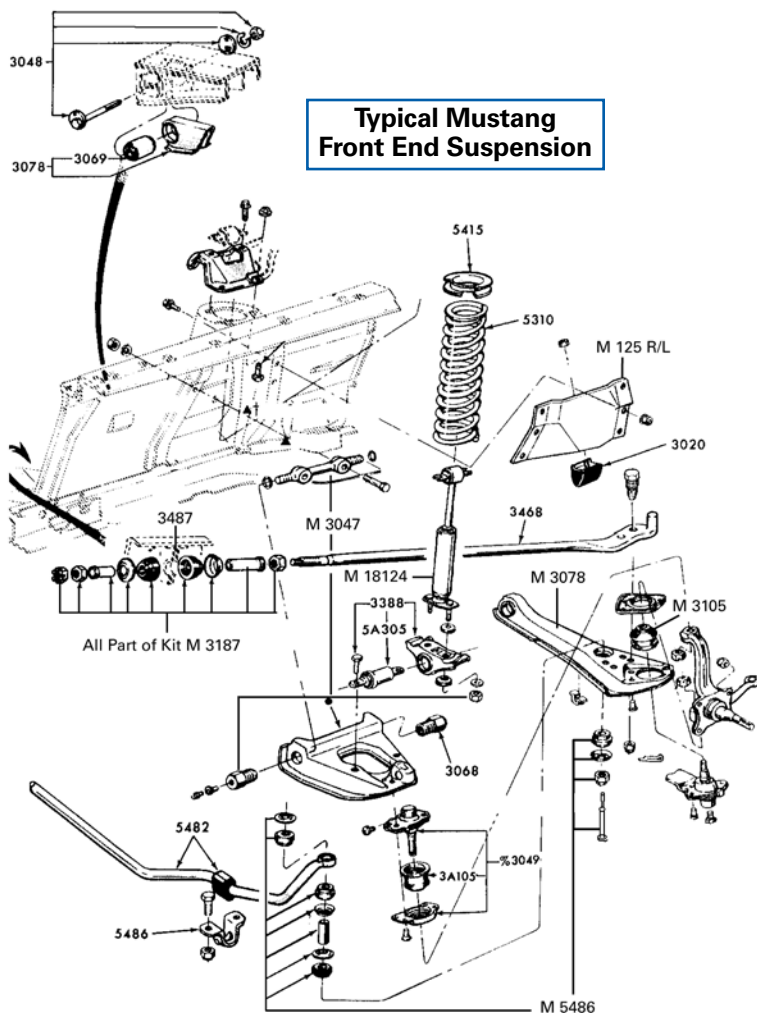
Kit includes: Lower Arms, Upper Arms, Coil Spring Seats, Coil Springs, plus all the parts included in the #3002 kit.

M 3000A	65/66	6 Cylinder.....	379.95
M 3000B	65/66	V8.....	399.00
M 3000C	67	6 Cylinder.....	399.00
M 3000D	67	V8 Small Block.....	419.95
M 3000E	68	6 Cylinder.....	399.95
M 3000F	68	V8 Small Block.....	419.95
M 3000G	69/70	6 Cylinder.....	399.95
M 3000H	69/70	V8 Small Block.....	399.95

### #3002 Suspension Kit

Kit includes: Stabilizer End Kits, Stabilizer Bar Center-Mount Bushings & Strut Rod Bushing Kit.

M 3002A	65/66	Standard Bar .....	50.45
M 3002B	67	3/4" Bar .....	40.35
M 3002C	68/70	3/4" Bar .....	40.35
M 3002E	71/72	3/4" Bar .....	39.34
M 3002F	73	3/4" Bar .....	39.34



## Suspension Arm Bumpers



<b>M 3020</b>	<b>Front Suspension Bumper (Bottom Out)</b>		
M 3020A	65/66.....	Each	7.45
M 3020B	67/69.....	Each	8.75
M 3020C	70/73.....	Each	10.15

### M 3047 Upper Arm Shaft Kit

M 3047A	65/66 .....	Each	25.20
M 3047B	67/73 .....	Each	29.54

### M 3048 Lower Arm Bushing Mounting Kit

M 3048B	65/66; Bushing Only .....	Each	10.50
---------	---------------------------	------	-------

## Upper Control Arm Ball Joint

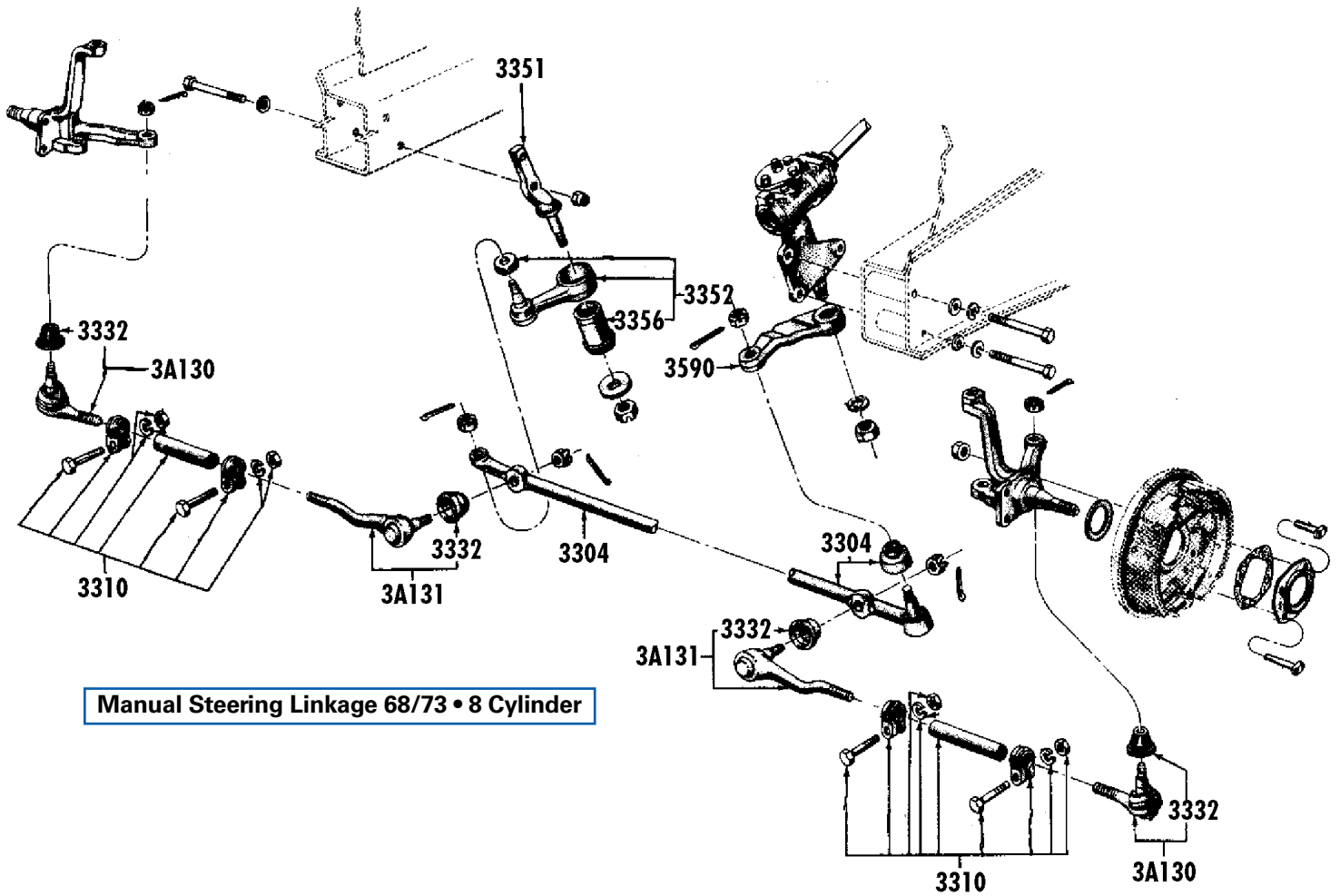


<b>M 3049</b>	<b>Upper Control Arm Ball Joint</b>		
M 3049A	65/69, 4-Bolt Pattern; Use with original control arm .....	Each	20.15
M 3049B	67/69, 3-Bolt Pattern; Use with replacement control arm 70/73, 3-Bolt Pattern.....	Each	21.95



*Dedicated to Excellence*

# SUSPENSION



**Manual Steering Linkage 68/73 • 8 Cylinder**

<b>M 3050</b>	<b>Lower Control Arm Ball Joint</b>		
M 3050A	65/67; Bolt-on.....	Each	30.25
M 3050B	68/73.....	Each	30.25



*M 3078B  
Front Suspension  
Lower Arm*

<b>M 3078</b>	<b>Lower Arm Assembly</b>		
M 3078A	65/66.....	Each	59.95
M 3078B	67.....	Each	64.95
M 3078C	68/73.....	Each	59.95

*M 3082A  
Front Suspension  
Upper Arm*



<b>M 3082</b>	<b>Upper Arm Assembly</b>		
M 3082A	65/66.....	Each	85.80
M 3082C	67/73, 3-bolt pattern; replaces 4-bolt.....	Each	90.85

<b>M 3083</b>	<b>Upper Control Arm Grease Fitting</b>		
M 3083AK	65/73; Includes (4) 90° Fittings & A Positioning Wrench Designed to Fit.....	Kit	16.80

<b>M 3105</b>	<b>Ball Joint Grease Boot</b>		
M 3105A	65/73, Lower.....	Each	7.95
M 3105B	65/73, Upper.....	Each	7.95

<b>M 3187</b>	<b>Strut Rod Bushing &amp; Washer Kit</b>		
M 3187A	65/66.....	Each	18.16
M 3187B	67/72; Before 9/10/71.....	Each	11.50

<b>M 3388</b>	<b>Coil Spring Seat &amp; Bushing</b>		
M 3388A	65/66, All; 67/73, (exc. boss 429, GT350/500) .....	Each	29.94

<b>M 3468</b>	<b>Lower Arm Strut Rod</b>		
M 3468A	65/66.....	Each	69.95
M 3468C	68/73; RH.....	Each	66.80
M 3468D	68/73, LH.....	Each	66.80

<b>M 3487</b>	<b>Strut Rod Support Bracket</b>		
M 3487AR	65/66; RH.....	Each	37.95
M 3487AL	65/66; LH.....	Each	37.95
M 3487BR	67/68, RH.....	Each	51.95
M 3487BL	67/68, LH.....	Each	51.95

<b>M 4730</b>	<b>Rear Axle Bumper</b>		
M 4730A	65/68, 8 cyl. 289 2/B & 4/B, premium fuel; on floor pan.....	Each	6.50
M 4730B	65/67, 6 cylinder; axle to frame (1) 65/70, 8 cylinder; axle to frame (1) 65/70, All; Axle (2) Required 71/73, All; crossmember to frame (2).....	Each	6.50

# SUSPENSION

- M 5305 Bushing - Front Coil Spring Lower Seat**  
**M 5305A 65/73** ..... Each 22.11

## Front Coil Springs



- M 5310 Front Coil Spring**  
**M 5310A 65/66; 6 Cylinder** ..... Pair 75.50  
**M 5310B 65/66; 8 Cylinder** ..... Pair 79.95  
**M 5310C 67/70; 6 Cylinder, No A/C** ..... Pair 80.75  
**M 5310D 67/68; 289 & 302, No A/C** ..... Pair 89.95  
**M 5310F 67/70; 390, 427, 428** ..... Pair 80.75

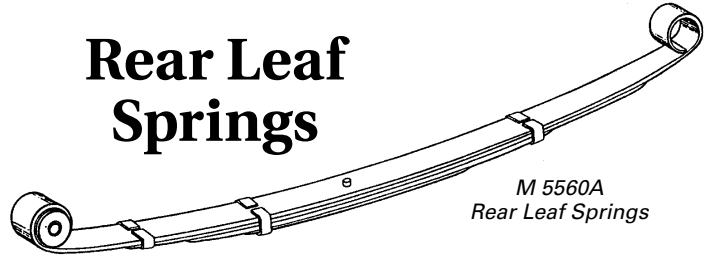
**M 5415A**  
*Front Coil Insulator*



- M 5415 Front Coil Spring Insulator (Upper)**  
**M 5415A 65/73** ..... Each 3.95

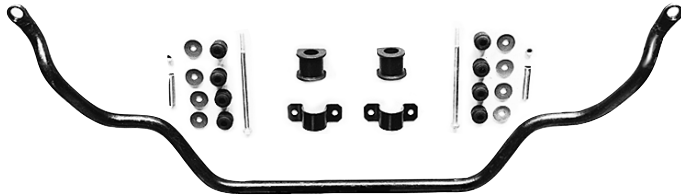


## Rear Leaf Springs



**M 5560A**  
*Rear Leaf Springs*

- M 5560 Rear Leaf Spring**  
**M 5560A 65/73; Heavy Duty** ..... Each 98.50  
**MSP 377366 67/70; Leaf Spring Access Hole Grommet** Each 1.55



**M 5482A** *Front Sway Bar Kit*

## Sway Bar Kits & Accessories

Sway Bars are the answer to help make your Mustang handle better and safer through normal or heavy cornering. Our Shelby-Type Heavy Duty Front Sway Bar Kits come complete with 1" Diameter Sway Bar & All Necessary Attaching Parts. To really get the full benefits of suspension upgrades, be sure to install a new Rear Sway Bar Kit. Use these bars to help tighten up your suspension for safer driving under most all conditions. A great investment for your car's aging suspension and handling.

### Front Sway Bar Kit

- M 5482A 65/66** ..... 114.95  
**M 5482B 67/70** ..... 115.95

### Rear Sway Bar Kit

- M 5482C 65/73; Complete Rear Sway Bar Kit** ..... 119.95

### Sway Bar End Repair Kit

- M 5486A 65/67; Complete kit for each end of front sway bar (2 Required)** ..... Each 5.95  
**M 5486B 68/73; Complete kit for each end of front sway bar (2 Required)** ..... Each 7.45  
**M 5486C 70/73; Complete kit for each end of front sway bar (1 Pair Required)** ..... Pair 18.95

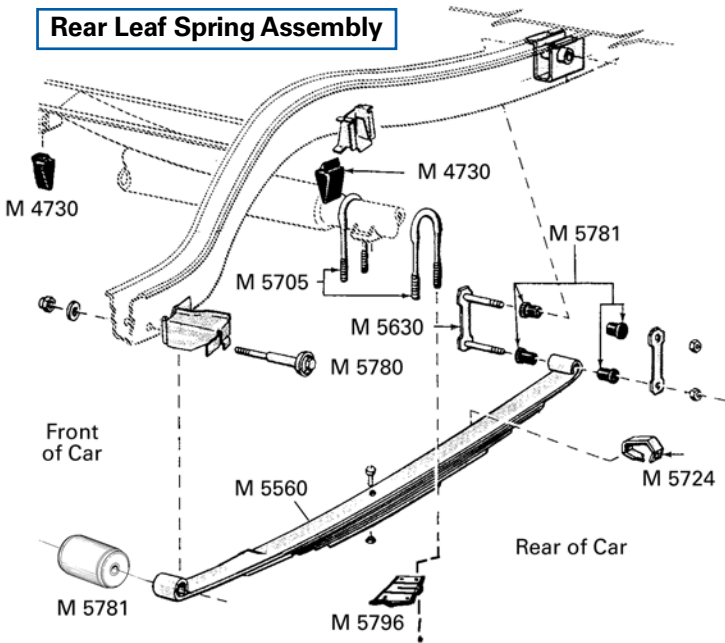
### Sway Bar Insulator

- M 5493A 65/66; 1" Bar** ..... Pair 9.75  
**M 5493B 65/66; 5/8" Bar** ..... Each 14.50  
**M 5493C 67/70; 11/16" Bar** ..... Each 5.30



# SUSPENSION

## Rear Leaf Spring Assembly



- M 5586 Leaf Spring Anti Squeak Pad**  
**M 5586A** 65/73; Requires 4 Per Leaf..... Each 1.25

## Rear Spring Shackle Kit



- M 5630 Rear Spring Shackle Kit**  
**M 5630A** 65; Rear Spring - Rear (2 Required) ..... Each 17.12  
**M 5630B** 65/67; Rear Spring - Front, (2 Required) ..... Each 32.95  
**M 5630D** 66/73; All, Rear Spring - Rear (2 Required).... Each 20.30
- M 5705 Rear Spring to Axle Housing U-Bolt**  
**M 5705A** 65/66 ..... Each 9.95  
**M 5705B** 67/69, (exc. 428)..... Each 5.95  
**M 5705C** 68; 428 CJ, 4 bbl., w/out Ram Air ..... Each 5.75  
**M 5705D** 68/69; 428 CJ, 4 bbl., with Ram Air ..... Each 5.95  
**M 5705E** 70/73 ..... Each 5.75
- M 5780 Front of Leaf Spring Bolt**  
**M 5780A** 65/66 ..... Pair 14.94  
**M 5780B** 67/73 ..... Pair 14.94
- M 5781 Rear Leaf Spring Bushing**  
**M 5781A** 65; Rear Spring - Rear ..... Each 4.25  
**M 5781B** 65/73; Rear Spring - Front..... Each 13.08  
**M 5781C** 66/72; Rear Spring - Rear ..... Each 2.75
- M 5796 Rear Spring Plate**  
**M 5796A** 67/73; RH ..... Each 21.00  
**M 5796B** 67/73; LH..... Each 21.00  
**M 5796C** 64/66; RH ..... 34.29  
**M 5796D** 64/66; LH..... 34.29

## Front & Rear Shock Absorbers

If you want your car to handle properly, replace those worn out shock absorbers. In combination with new springs, your car's suspension will be dramatically improved.

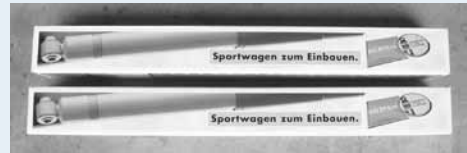
### Shock Tower Cap

- M 18017A** 65/66..... Each 20.15  
**M 18017AC** 65/66; Chrome ..... Each 32.08  
**M 18017B** 67/70 ..... Each 20.15  
**M 18017BC** 67/68; Chrome ..... Each 32.08  
**M 18017C** 71/73..... Each 45.40



### Front Shock Absorbers

- M 18124A** 65/70; Heavy Duty ..... Each 34.95  
**M 18124B** 65/70; KYB™ Brand GR2 Gas Shock ..... Each 34.95  
**M 18124C** 71/73, KYB™ Brand GR2 Gas Shock ..... Each 46.95  
 See Page 125 For Attaching Parts Kit MHK 423.



### Front & Rear Shock Absorbers

- M 18124D** 65/66; (Front) Blistein Brand ..... Each 89.95  
**M 18124E** 67/70; (Front) Blistein Brand ..... Each 89.95  
**M 18125C** 65/70; (Rear) Blistein Brand ..... Each 92.50

• **One Piece Rod Guide & Seal**—Keeps dirt out and maintains a nearly friction-free surface for longer life. • **Self -Adjusting Digressive Piston**—Instantly reacts and adjusts for any road condition. • **Monotube Design**—Provides maximum heat dissipation and shock life. **High Pressure Nitrogen Gas & “Floating” Dividing Piston**—Eliminates the possibility of oil foaming and performance loss.

### Rear Shock Absorbers

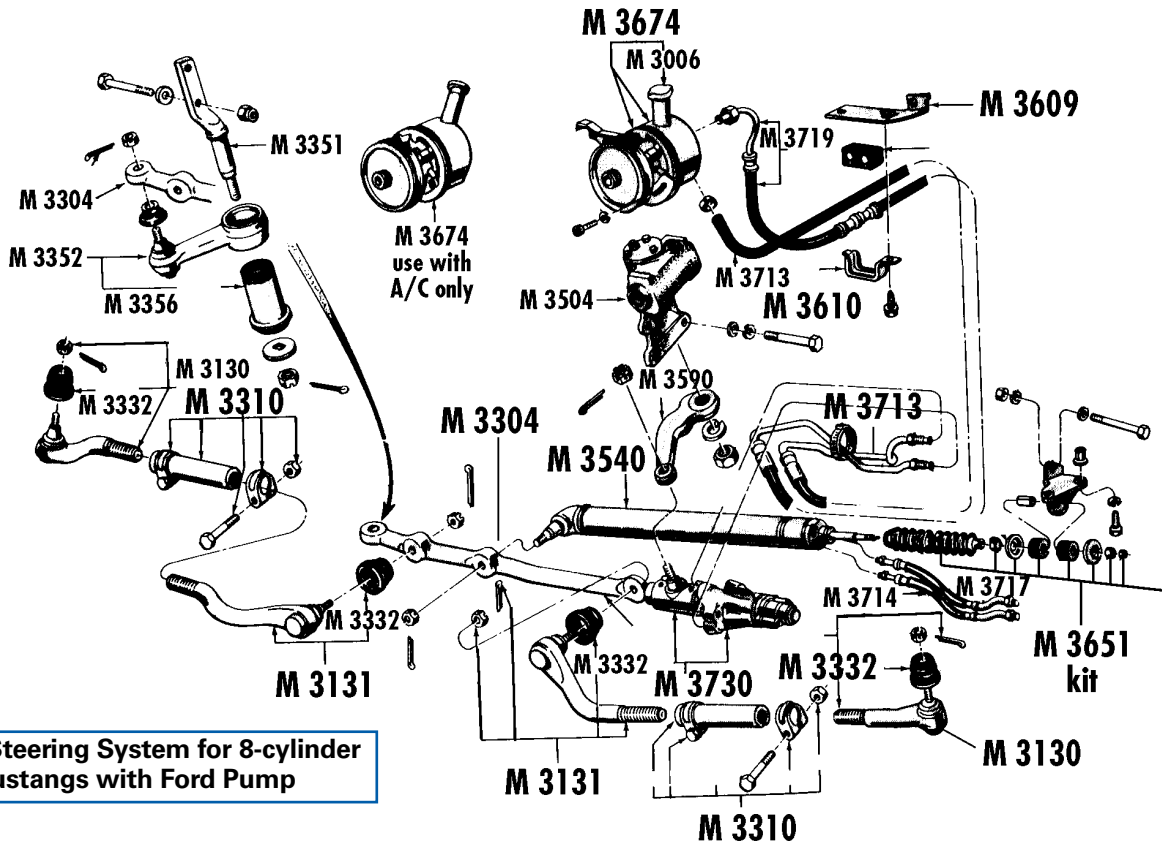
KYB® GR2 Gas Shock

- M 18125A** 65/73; Heavy Duty ..... Each 34.95  
**M 18125B** 64/73; KYB™ GR2 Gas Shock ..... Each 32.95

### Attaching Hardware for this Section

- MHK 270** Nut Kit, Shock Tower; 65/66, Kit of 6..... Kit 5.33  
**MHK 271** Bolt Kit, Shock Tower; 65/66, Kit of 6..... Kit 13.05  
**MHK 272** Bolt Kit, Shock Tower; 67/73, Kit of 6..... Kit 13.05  
**MHK 423** Mounting Bolt Kit, Shock Absorber; 65/66, Kit of 4..... Kit 5.45  
**MSP 377366** Grommet, Leaf Spring Access Hole; 67/73..... Each 1.55

# STEERING



Power Steering System for 8-cylinder Mustangs with Ford Pump

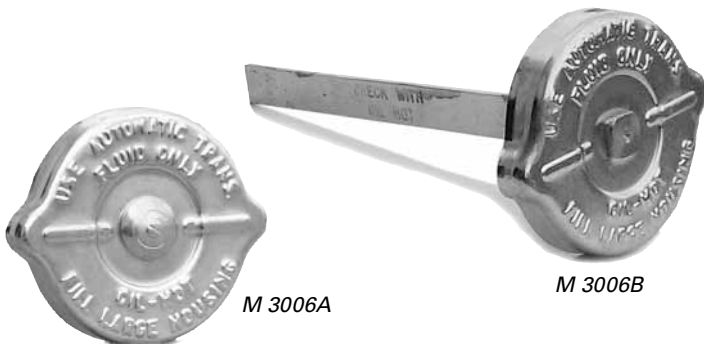
## Front Steering Kit

### #3001 Steering Kit

Kit includes: All Tie Rod Ends, Adjusting Sleeves & Idler Arm.

M 3001A	65/66	V-8, Manual Steering	129.95
M 3001B	65/66	V-8, Power Steering	165.75
M 3001C	67/69	Power Steering	189.95
M 3001D	70	Power & Manual Steering	174.95

## Power Steering Pump Filler Cap



<b>M 3006</b>	<b>Power Steering Pump Filler Cap</b>
M 3006A	65/66; Ford Pump; Tag Number HBA-AC thru ACA, AE thru AE4, AG thru AG4 without Dip Stick ..... 7.85
M 3006B	65/66; Ford Pump; Tag Number HBA-AD thru AD4, AF thru AF4, AH thru AH4, AU thru AU3, BB thru BB3. 9.75

## Tie Rod End

M 3130A	65/66; RH or LH, 6-Cylinder; Manual, Outer..	Each	27.22
M 3130B	65/66; RH or LH, 6-Cylinder; Manual, Inner...	Each	27.22
M 3130C	65/66; RH, 8-Cylinder; P/S, Outer;		
M 3130D	65/66; RH or LH, 8-Cylinder; Manual, Outer..	Each	15.95
M 3130E	67/69; RH or LH (exc. Boss); All, outer .....	Each	30.25
M 3130F	69; Boss 302, 429, RH & LH; Outer		
M 3130G	70/73; RH or LH; Outer .....	Each	20.15
M 3130H	65/66; LH, 8-Cylinder; P/S, Outer .....	Each	30.25
M 3130I	65/66; RH, Outer, P/S, 6-Cylinder .....	Each	109.95
M 3130J	65/66; RH, Inner, P/S, 6-Cylinder .....	Each	109.95
M 3131A	65/66; RH or LH, 8-Cylinder; Manual, Inner.		
M 3131B	RH, 8-Cylinder, P/S, Inner .....	Each	17.95
M 3131C	65/66; LH, 8-Cylinder; P/S, Inner .....	Each	30.25
M 3131D	67/69; All, Inner (exc. Boss) .....	Each	35.86
M 3131E	69; RH or LH, Boss 302, 429, Inner.		
M 3131F	70; All; Inner .....	Each	39.34
M 3131G	71/73; All; Inner .....	Each	54.75
M 3131H	65/66; LH, Inner, P/S, 6-Cylinder .....	Each	109.95
M 3131I	65/66; LH, Outer, P/S, 6-Cylinder .....	Each	109.95
<b>M 3304</b>	<b>Steering Arm to Idler Arm Drag Link</b>		
M 3304A	65/66; 8 Cylinder, Manual .....	Each	85.63
M 3304B	65/66; 8 Cylinder, P/S, Center Link .....	Each	110.75
M 3304C	67/69; 8 Cylinder, Manual Steering (Exc. Boss) .....	Each	99.50
M 3304D	67/69; 8 Cylinder, Boss & 70 Manual Steering. .....	Each	124.18
M 3304E	67/69; Power Steering .....	Each	115.00
M 3304F	65/66; 6 Cylinder, Manual Steering .....	Each	50.45
<b>M 3310</b>	<b>Tie Rod Adjusting Sleeve</b>		
M 3310A	65/66; 8-Cylinder M/S; 65/66, 6 & 8-Cylinder P/S; RH 67/73, All .....	Each	5.75
M 3310B	65/66; 8-Cylinder, P/S, LH .....	Each	21.50
M 3310C	65/66; 6-Cylinder, P/S, LH .....	Each	13.50
M 3310D	65/66; 6-Cylinder, Manual Steering, RH or LH..	Each	20.15
<b>M 3332</b>	<b>Tie Rod Dust Boot</b>		
M 3332A	65/66; 8-Cylinder .....	Each	4.75
M 3332C	70/73 .....	Each	5.95

# STEERING

<b>M 3350</b>	<b>Steering Idler Arm &amp; Bracket Assembly</b>	
M 3350A	67/70; P/S .....	45.50
	65/66; See Part Number 3352.	
M 3350B	67/70; M/S V8 .....	52.52
<b>M 3351</b>	<b>Steering Idler Arm Bracket</b>	
M 3351A	65/66; Use with Part Number 3352 (8-Cylinder) .....	Each 43.68
<b>M 3352</b>	<b>Steering Idler Arm &amp; Bushing Kit</b>	
M 3352A	65/66; 6-Cylinder; M/S .....	73.95
M 3352B	65/66; 8-Cylinder; M/S & P/S .....	48.95
	67/70; See Part Number 3350.	
M 3352C	65/66; 6-Cylinder w/Power Steering .....	159.95
<b>M 3356/8</b>	<b>Idler Arm Bushing</b>	
M 3356A	65/66; Power Steering (Upper), 8 Cylinder .....	11.25
M 3356B	65/66; Manual Steering (Upper) 67/68; (Upper), 8 Cylinder .....	18.95

<b>M 3491</b>	<b>Horn Ring Lower Collar</b>	
M 3491A	65/67; Use with woodgrain steering wheel .....	36.75

<b>M 3494</b>	<b>Power Steering Pressure Line to Valve Tube Assembly</b>	
M 3494B	67/69; 390; 68; 428 CJ; 69/70; 302, 351, 428 CJ & 429 Boss, 17 1/2" Long...	35.30

## Power Steering Kit

M 3500AK	65/66; V8, Auto Trans Only .....	Kit 1375.00
M 3500BK	65/66; 6 CYL, Auto Trans Only .....	Kit 1375.00
M 3500CK	67/70; 289, 302 & 351W, Auto Trans Only .....	Kit 1375.00
M 3500DK	67/70; 6 CYL, Auto Trans Only .....	Kit 1375.00

*Note: These kits are for Mustangs that have factory manual steering and automatic transmissions. The kits come with all needed parts to convert your Mustang to modern power steering with out all the clutter of the original power steering componets.*

## Steering Boxes



<b>M 3504</b>	<b>Steering Box</b>	
	These Steering Boxes are brand new, Not Rebuilt! They feature a ratio of 16:1, providing more responsive steering input than the factory original.	
M 3504A	65/67; 1" Sector Shaft, 41 7/8" long .....	545.00
M 3504B	67/70; 1 1/8" Sector Shaft, 6 3/16" long .....	450.00

## Steering Column Grommet



<b>M 3512</b>	<b>Steering Column to Firewall Grommet</b>	
M 3512A	65/67 .....	7.30

<b>M 3513</b>	<b>Steering Column to Firewall Opening Seal</b>	
M 3513A	64 1/2 to 66 .....	3.16
M 3513B	67; Without Tilt Wheel .....	3.16
M 3513C	67; With Tilt; • 68; All .....	3.16
<b>M 3517</b>	<b>Steering Column Shaft Bearing</b>	
M 3517A	65/66 .....	11.76
M 3517C	67/73; Tilt wheel; lower .....	29.50
M 3517D	67/73; Tilt wheel; upper; fixed wheel .....	19.95
<b>M 3518</b>	<b>Steering Column Shaft Bearing Sleeve</b>	
M 3518A	68/73; Fixed Steering Wheel .....	5.00
M 3518B	65/73; Fixed Steering Wheel .....	9.50
<b>M 3533</b>	<b>Steering Drag Link Ball Stud Kit</b>	
M 3533A	65/70; Includes All Seals & Ball Stud .....	29.50
<b>M 33538</b>	<b>Power Steering Pump Reservoir Filter</b>	
M 33538A	65, Eaton Pump .....	11.06



<b>M 3540</b>	<b>Ram Cylinder</b>	
M 3540A	65/70 .....	175.00
	Core Deposit .....	150.00
	Note: Core Must Be Drained Of ALL FLUIDS To Receive Refund!	
M 3540B	65/70; New, Not Rebuilt. No Core Required .....	198.50
<b>M 3541</b>	<b>Ram Cylinder Boot</b>	
M 3541A	65/70; Elbow Boot .....	10.75
<b>M 3552</b>	<b>Steering Gear Worm Bearing Cup</b>	
M 3552A	65/73; Upper & lower .....	Each 12.95
<b>M 3564</b>	<b>Column to Gearbox Insulator</b>	
M 3564A	65/67; Steering Column Flange to Gear Box .....	9.04
<b>M 3571</b>	<b>Steering Gear Worm Bearing</b>	
M 3571A	65/73 .....	34.95
<b>M 3581</b>	<b>Steering Gear Housing Cover Gasket</b>	
M 3581A	65/70 .....	1.23
<b>M 3584</b>	<b>Power Steering Pump Seal &amp; Gasket Kit</b>	
M 3584A	65; Eaton Pump .....	28.87
M 3584B	65/73; Ford Pump .....	18.75
<b>M 3590</b>	<b>Pittman Arm</b>	
M 3590A	65/67; 8 Cylinder, 1"; 67 Power Steering .....	Each 72.67
M 3590B	67/70; 8 Cylinder, 1 1/8"; Manual Steering .....	Each 80.75
<b>M 3591</b>	<b>Steering Gear Sector Shaft Housing Oil Seal</b>	
M 3591A	65/70; 1" diameter shaft .....	6.01
M 3591B	65/73; 1 1/8" diameter shaft .....	10.61



*Dedicated to Excellence*

# STEERING

## Factory Color Matched Steering Wheels

M 360064BK	64 1/2	Black	175.00
M 360064BU	64 1/2	Blue	175.00
M 360064RD	64 1/2	Red	175.00
M 360064WT	64 1/2	White	175.00
M 360065BK	65/66	Black	165.00
M 360065BU	65	Dark Blue	165.00
M 360065PO	65	Palomino	165.00
M 360065RD	65	Red	165.00
M 360065WT	65	White	165.00
M 360066AQ	66	Aqua	165.00
M 360066BU	66	Light Blue	165.00
M 360066PT	66	Parchment	165.00
M 360066RD	66	Red	165.00
M 360067BK	67	Black	165.00
M 360067BU	67	Light Blue	165.00
M 360067IG	67	Ivy Gold	165.00
M 360067PT	67	Parchment	165.00
M 360067RD	67	Red	165.00
M 360068BK	68/69	Black; 2-spoke type	175.00
M 360068BU	68/69	Blue; 2-spoke type	175.00
M 360068IG	68/69	Ivy Gold; 2-spoke type	175.00
M 360068RD	68/69	Red; 2-spoke type	175.00
M 3600T	65/73	Grant Steering Wheel; Black Foam	125.50
M 3600U	65/66	Woodgrain, Original Style	325.00
M 3600V	67	Woodgrain, Original Style	352.49
<b>M 3601 Grant Steering Wheel to Steering Shaft Adapter Kit</b>			
M 3601AK	64 1/2		26.45
M 3601BK	65/67		26.45
M 3601CK	68/73		26.45

## Steering Wheel Center Cap



M 3623A

<b>M 3623 Woodgrain Steering Wheel Center</b>			
M 3623A	65/66		74.95
M 3623B	66; Shelby		79.95
M 3623D	69; 3 Spoke, Black Only		89.95
M 3623E	70/73; Pad, 2 Spoke Wheel, Black		60.25
M 3623F	67; Black		72.95
M 3623G	67; Red		72.95
M 3623H	67; Blue		72.95
M 3623J	67; Aqua		72.95
M 3623K	67; Ivy Gold		72.95
M 3623L	67; Parchment		72.95
M 3623M	67; Saddle		72.95
<b>M 3629 Wood Grain Steering Wheel Collar</b>			
M 3629A	67; This is the collar the pad screws into		54.49
<b>M 3656 Steering Wheel Hub Trim</b>			
M 3656A	67; Except woodgrain wheel		13.08



M 3649C



M 3649D



M 3649J

<b>M 3649 Steering Wheel Center Emblem</b>			
M 3649B	68; GT350/500, "Shelby Cobra"		27.95
M 3649C	69/70; GT350/500, "Shelby Cobra"		17.50
M 3649D	67		23.95
M 3649E	68		28.00
M 3649F	69; 3 Spoke Wheel	Each	21.16
M 3649G	70; 3 Spoke Wheel	Each	21.16
M 3649J	65/73; Ford Blue Oval	<b>NEW</b> Each	19.95
M 3649K	65/73; Running Horse	<b>NEW</b> Each	19.95
M 3649L	65/73; "Cobra"	<b>NEW</b> Each	19.95

Note: Center Emblems M 3649J, M 3649K and M 3649L, Are For Use With Parts Numbers M 360065S & M 360067S.

<b>M 3656 Steering Wheel Pad Trim</b>			
M 3656A	67	Each	13.08
<b>M 13816 Steering Wheel Horn Pad</b>			
M 13816A	68; Black	Each	20.15

## Shelby Wood Steering Wheel With Hub



### M 3600 Shelby Wood Steering Wheel With Hub

M 360065S	65/66	<b>NEW</b>	Each	275.00
M 360067S	65/66	<b>NEW</b>	Each	275.00

Note: The Wood Wheels Come With The Hub And The Horn Button Only. The Center Emblem is Sold Separately. See Part Numbers M 3649J, M 3649K, M 3649L.

### M 3609 Power Steering Hose Mounting Insulator

M 3609A	67/70			7.95
---------	-------	--	--	------

### M 3610 Power Steering Hose Bracket

M 3610A	65/66			36.95
M 3610B	67/68; Small Block			38.33
M 3610C	67/68; Big Block			38.33

### M 3650 Power Steering Hydraulic Control Valve Repair Kit

M 3650A	65/70			13.95
---------	-------	--	--	-------

### M 3651 P/S Ram Cylinder Boot & Insulator Kit

M 3651A	65/73			13.08
---------	-------	--	--	-------

### M 3668 Power Steering Control Valve Tube Seat

MSP 87006	68/70			.69
-----------	-------	--	--	-----

## Power Steering Pumps

Our Rebuilt Power Steering Pumps help put you back on the road in no time at all!



### M 3674 Power Steering, Rebuilt Pump

M 3674A	65, Front-mount; Eaton pump, less reservoir	115.00
M 3674B	65, Rear-mount; Eaton pump, less reservoir	115.00
M 3674C	65/66, 6 cylinder & 8 cylinder w/o A/C; Ford pump	115.00
M 3674D	65/66, 8 cylinder w/ A/C; Ford pump	115.00
M 3674E	67/70, (except 70 302, 351)	115.00
M 3674F	70, (302, 351)	115.00
M 3674G	71/73, All	115.00
<b>Core Deposit</b>		75.00

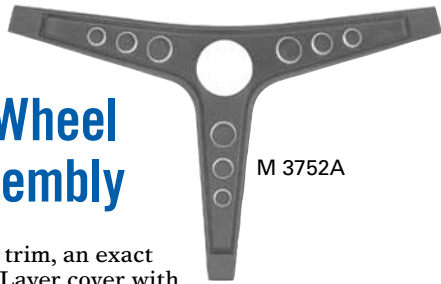
Note: Does Not include Pulley.  
Note: Core Must Be Drained Of ALL FLUIDS To Receive Refund!

## Steering Wheel Center Emblem

<b>M 3649 Steering Wheel Center Emblem</b>			
M 3649H	69/73; 2 Spoke Wheel		19.95

# STEERING

## Steering Wheel Cover Assembly



M 3752A

'69 Black with silver trim, an exact reproduction. Three Layer cover with correct grain texture held together by nine black buttons with anodized button sleeves. Center emblem is not included, must be bought separately. See part number M 3649D.

M 3752A Steering Wheel Cover Assembly..... Each 118.07

## Power Steering Control Valve Centering Spring Cap

M 3705 P/S Control Valve Spool Centering Spring Cap  
M 3705A 65/70..... 28.95

## Control Valve to P/S Pump Return Hose



M 3713H

<b>M 3713 Control Valve to Pump, Return Hose Assembly</b>	
M 3713A 64 1/2/65; 170, 200 With Eaton Pump	
64 1/2/65; 170 With Ford Pump; 260, 289 w/Eaton Pump	
65/66; 200 With Ford Pump	
65; 260 With Ford Pump, w/AC	
65/66; 289 With Ford Pump; Replacement Type	23.95
M 3713G 67/68; 289, 302 & 67/69; 6 Cylinder	18.63
M 3713H 68/69; 390, 70, 428 CJ Without A/C, 428, w/ A/C;	
69/70; 302, With or Without Oil Cooler;	
69/70; 351, 429 Boss	21.95
<b>M 3714 Control Valve to Cylinder Hose Assembly</b>	
M 3714A 65; 170, 200, Before 3/2/64 With Eaton Pump;	
65; 170, 200, With Ford Pump;	
65; 170, 200, From 3/2/64 With Eaton Pump;	
66; 200	
65/66; 260, 289.....	16.75
M 3714C 67/70; All.....	14.09
M 3714AK 65/66; OEM Style for Correct Fit..... Set	42.95
M 3714BK 67/70; OEM Style for Correct Fit..... Set	42.95
<b>M 3719 Pump to Control Valve, Pressure Hose Assembly</b>	
M 3719C 65/66; 200, With Ford Pump.....	30.25
M 3719D 65; 260, 289 With Eaton Pump.....	42.75
M 3719F 65/66; 289, With Ford Pump.....	30.81
M 3719G 67; 289, (Except GT) 1/4" Fitting.....	31.26
M 3719H 68; 289, 302.....	38.95
M 3719I 68/69; 200.....	39.95
M 3719J 69; 302, Without oil cooler & 351.....	22.17
M 3719K 68; 390, 69, 390, 428; 70, 428 CJ;	
Pump End.....	23.58
M 3719L 67; 289, (Except GT) 15/16" Fitting.....	27.22
M 3719M 65; 260, With Ford Pump.....	28.48

M 3729 Power Steering Control Valve Ball Stud Dust Seal  
M 3729A 65/70..... 7.45

## Power Steering Hydraulic Control Valve Assembly



M 3730D

<b>M 3730 Power Steering Hydraulic Control Valve Assembly</b>	
M 3730A 67/70; (Rebuilt) 5/16" pressure line fitting.....	145.00
Core Deposit* .....	350.00
M 3730B 67/70; (Rebuilt) 1/4" pressure line fitting.....	145.00
Core Deposit* .....	350.00
M 3730C 65/66, 6 Cylinder (Rebuilt).....	145.00
Core Deposit* .....	350.00
M 3730D 65/66, 8 Cylinder (Rebuilt)	
Core Required In Advance .....	175.00
Core Deposit* .....	350.00
<b>*Note: Core Must Be Drained Of ALL FLUIDS To Receive Refund!</b>	
M 3730F 67/70; NEW, NOT REBUILT. Has 1/4" pressure hose port .....	and is machined to closer tolerances than original design. .... 365.00
M 3730G 65/66; Valve and Bar, New Unit, No Core Required .....	595.00

M 3732 Manual Steering Conversion Adapter  
M 3732A 67/70; Replaces control valve to eliminate power steering ..... 174.95

M 3733 Power Steering Pump Pulley

M 3733A 67/69; 289/302 .....	Each	59.95
M 3733B 65/66; 289w/AC, 5 1/4 OD, Silver .....	Each	59.95
M 3733C 67/69; 289, 302, 351W, 5 1/4 OD, Silver.....	Each	59.95
M 3733D 67/69; 390, 5 1/4 OD, Silver .....	Each	59.95
M 3733F 68/70; 428, 5 1/4 OD, Silver .....	Each	59.95

M 3738 Steering Gear Housing to Steering Shaft Seal  
M 3738A 65/73; Rubber..... 3.99

M 3754 Power Steering Control Valve Ball Stud Socket  
M 3754C 65/70..... 16.25

## Power Steering Cylinder Seal Kit

M 3764A 65/70..... 14.09

M 9419 Power Steering Drop Bracket  
M 9419A 65/73; This bracket lowers ram cylinder to allow for installation of headers on vehicles with power steering ..... 21.16

M 33538 Power Steering Pump Filter  
M 33538A 65; Eaton ..... Each 11.06

## Attaching Hardware for this Section

MSP 370235 Pin, Power Steering Control Valve Spool Travel Regulator (Use with Part 3560).....	Each	.91
MSP 375474 Crush Nut, Power Steering, 65/70; 2 Req. ....	Each	8.30

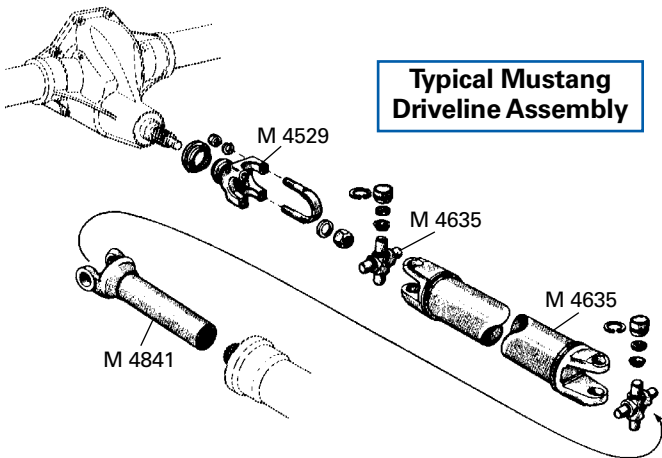
# REAR AXLE & DRIVE TRAIN

## Rear Axle Parts

<b>M 1177</b>	<b>Rear Wheel Bearing Oil Seal</b>		
M 1177A	65/66, 6 Cylinder .....	Each	6.95
M 1177B	65/66, 8 Cylinder .....	Each	6.95
M 1177C	69/72; 1 1/2" I.D., 2 17/64" O.D.; To Seal 1 1/2" Shaft With 31-Spline Axle..	Each	11.06
M 1177D	67/68, to seal; 1 1/2" shaft 69/72, (exc. 7 1/4" ring gear) to seal 1 3/8" shaft; Use With 28-Spline Axle.....	Each	3.74
<b>M 1225</b>	<b>Rear Wheel Bearing</b>		
M 1225A	65/72; 8 Cyl., 1 3/8" I.D. - 2 13/16" O.D. • #207CC, 207DD.....		9.95
M 1225B	65/72; 6/8 Cyl., 1 5/16" I.D. - 2 11/16" O.D. • #RWF34R, F206KK.....		9.95
<b>M 4035</b>	<b>Differential Carrier to Axle Housing Gasket</b>		
M 4035A	65/73, With 7" & 8" Ring Gear.....		3.99
M 4035B	65/73, With 9" Ring Gear.....		9.95
MSP 34805	Lockwasher; 1/4"; 6-Cylinder .....		.15



<b>M 4635</b>	<b>Universal Joint</b>		
M 4635A	65; 170 6 Cylinder; Front & Rear 65/69; 200 68/69; 6 Cylinder, 3 Speed; Front & Rear External Snap Ring Type.....		6.95
M 4635B	65/66; 6 & 8 Cylinder, Rear, Internal Snap Ring .....		6.95
M 4635C	65/66; 6 & 8 Cylinder, Front, Internal Snap Ring .....		6.95
<b>M 4676</b>	<b>Rear Axle Pinion Seal Assembly</b>		
M 4676A	65/70; 8 Cyl., Use with 9" & 9 3/8" ring gear; 1 13/16" I.D. ....		6.95
<b>M 4730</b>	<b>Rear Axle Bumper</b>		
M 4730A	65/68, 8 cyl. 289 2/B & 4/B, premium fuel; on floor pan .....		6.50
M 4730B	65/67, 6 cylinder; axle to frame (1) 65/70, 8 cylinder; axle to frame (1) 65/70, All; Axle (2) Required 71/73, All; crossmember to frame (2) .....	Each	6.50



Typical Mustang Driveline Assembly

## 1965-73 Mustang Illustrated Manual

Packed Full Of Illustrations To Get Your Job Done Right!

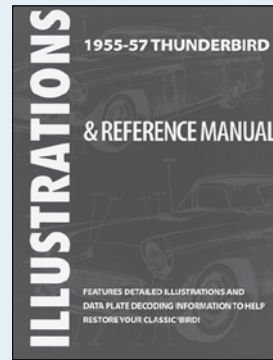
If you do any of your own work on your 65/73 Mustang you should not be without our detailed Illustrations Manual! Have a question about a certain part number or where that 'extra part' should fit? Our latest manual includes over 300 illustrations that detail every system on your Mustang, from Electrical, Cooling & Engine to Interior Trim, Exterior Trim, etc. Each illustration includes original Ford part numbers and special details for key systems.

This book is a must have item for any enthusiast! We also offer these manuals for Thunderbird enthusiasts as well! Check the list below for your particular application.

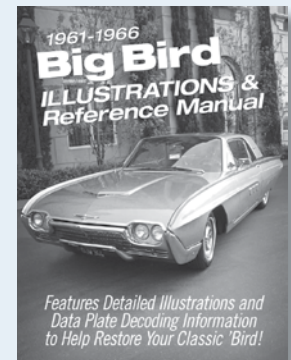
MLT 19 '65/73 Mustang..... 7.50



## Other Illustration Manuals Available



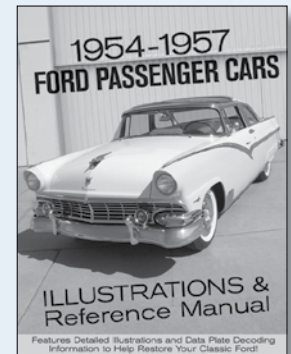
TLT 9



TLT 19



TLT 18



TLT 1

TLT 9	'55/57 Thunderbird .....	10.50
BLT 18	'58/60 Thunderbird .....	13.50
BLT 19	'61/66 Thunderbird .....	13.50
PLT 1	'54/57 Ford .....	29.95

## Attaching Hardware for this Section

MSP 34805	Washer; 65/67, Use with Part 4529B .....	Each	.15
-----------	--	------	-----

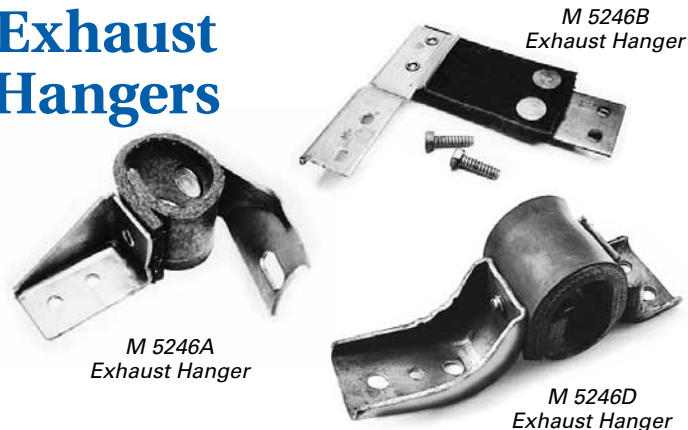
# EXHAUST SYSTEM

## Tail Pipe Clamps



M 5231A	65/67; attaches intermediate pipe to RH rear muffler hanger.....	Each	4.82
M 5231B	65/66, with dual-exhaust; attaches tail pipes to rear hanger- 2 Required .....	Each	4.82

## Exhaust Hangers



<b>M 5246 Exhaust Hanger Assembly</b>			
M 5246A	65/66, 6 & 8 Cylinder; LH Muffler 67,6 Cylinder; RH Muffler .....		19.95
M 5246B	65/66, 6 & 8 Cylinder; RH Muffler.....		11.52
M 5246D	65/66, 8 cylinder; Dual Exhaust, Floor pan to rear of muffler- 2 used.....	Each	10.95

*Note: Also refer to Part Number M 5260.*

## Air Vent Assembly

M 01935A	65/66; LH .....	98.95
M 01935B	67/68; LH .....	98.95
M 01934C	69/70; RH.....	135.00
M 01935C	69/70; LH .....	135.00

## Exhaust System Hangers & Attaching Parts Kits

<b>M 5256A 65/66, 6 Cylinder</b>	Consists of (3) of #35343-W Clamp, (1) of #M 5231A Clamp, (1) of #M 5246A LH Hanger, (1) of #M 5246B RH Hanger & (8) of #39909-S Screw.....	39.95
<b>M 5256B 65/66, 8 Cylinder</b>	Consists of (3) of #35335-W Clamp, (1) of #M 5231A Clamp, (1) of #M 5246A LH Hanger, (1) of #M 5246B RH Hanger & (8) of #39909-S Screw.....	39.95
<b>M 5256C 65/66, 8 Cylinder w/Factory Installed Dual Exhaust, GT &amp; HiPo</b>	Consists of: (4) of #35335-W Clamp, (2) of #M 5231B Clamp, (2) of #M 5246D Hanger, (1) ea. of #M 5277A & B Bracket, (2) of #M 5260B Insulator, (2) of #M 5266A Hanger, (4) of #23575-S2 Bolt, (8) of #55738-S2 Nut, & (6) of #39909-S Screw.....	105.98
<b>M 5256D 65/66, 8 Cylinder, with Dealer Installed Dual Exhaust</b>	Consists of: (8) of #35335-W Clamp, (2) of #M 5231B Clamp, (2)of #M 5246D Hanger, (1) ea. of #M 5277A & B Bracket, (2) of #M 5260B Insulator, (2) of #M 5266A Hanger, (4) of #23575-S2 Bolt, (8) of #55738-S2 Nut & (6) of #39909-S Screw.....	105.98
<b>M 5256E 67, 6 Cylinder</b>	Consists of: (3) of #35343-W Clamp, (1) of #M 5246A RH Hanger & (8) of #39909-S Screw.....	24.50
<b>M 5256F 67, 8 Cylinder</b>	Consists of: (3) #35335-W Clamp, (1) of #35261-W Hanger Strap & (6) of #39909-S Screw.....	20.30
<b>M 5256G 68, 6 Cylinder</b>	Consists of: (4) of #35335-W Clamp, (1) 35518-W Hanger & (8) of #39909-S Screw.....	19.14
<b>M 5256H 68, 8 Cylinder, Single Exhaust</b>	Consists of: (2) of #35336-W Clamp, (2) of #35335-W Clamp, (1) of #35518-W Hanger & (6) of #39909-S Screw.....	29.95



M 5256A Exhaust System Clamp Set



M 5256C Exhaust System Clamp Set



M 5256D Exhaust System Clamp Set

# EXHAUST SYSTEM

- M 5247 Exhaust Hanger Retainer**  
**M 5247A** 65/70; Dual Exhaust, Attaches muffler hanger to floor pan ..... Pair 11.06

## Rear Exhaust Hanger Insulator



- M 5260 Rear Exhaust Hanger Insulator**  
**M 5260B** 65/68; 8 Cylinder, (From 3/22/65) With Dual Exhaust, Including GT, Fits RH or LH..... Each 8.75

## GT Tailpipe Hanger



- M 5266 Tail Pipe to Insulator Hanger**  
**M 5266A** 65/66; 289 With Dual Exhaust, GT, LH or RH..... 7.96

## Tailpipe Bracket



- M 5277 Tail Pipe Insulator to Frame Bracket**  
**M 5277A** 65/66; 289 With Dual Exhaust, GT, LH ..... 7.95  
**M 5277B** 65/66; 289 With Dual Exhaust, GT, RH..... 7.95

## Rear Exhaust Hanger Insulator



- M 5255 Tailpipe Extension Tip**  
**M 5255A** 65/66, RH & LH; GT Only ..... Pair 53.50  
**M 5255E** 67/69, RH or LH; GT Only ..... 29.24  
**M 5255G** 71, RH & LH; Mach 1 only  
 72, RH & LH; Mach 1 w/351 CJ, RH & LH; Fastback w/Boss 351  
 73, RH & LH; 351-4/B, All, (Before 2/13/73);  
 73, 351-4/B, All (Except Deluxe Fastback, Coupe, Conv. .... w/3.25 axle ratio and 4 spd.)  
 From 2/13/73, ..... Each 42.95  
**M 5255F** 70; Mach 1, Like Original, But With Out The Long Piece of Pipe Attached. Tips Only ..... Pair 129.95

## GT Tail Pipe Moulding

The perfect way to finish detailing your Mustang's exhaust system and rear exterior area.  
**M 5299A** 65/66; RH or LH, (GT Only)  
 Each ..... 15.53



- M 9430 Exhaust Manifold**  
**M 9430A** 65/67; 6 cyl., 170, 200 (exc. Imco)..... 145.00  
**M 9430C** 64/73; 260, 289, 302, Cast iron stock manifold. Part numbered for early cars but works well on 65/73 small-block Mustangs..... Pair 191.85  
**M 9430E** 65/73; 260, 289, 302, 351W. For Non-Emission System Vehicles (Fits Mustang Only) These HiPo Cast Iron Headers Have The Correct Casting Numbers For 65/66 Mustangs ..... Pair 279.95

## Tri-Y Headers

Increase Your Mustang's Power!



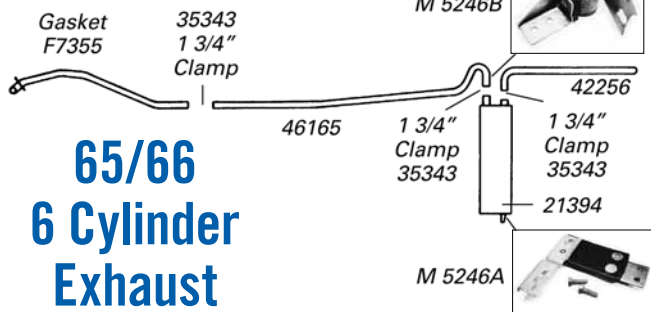
- M 9430G** 65/66; For Non-Emission System Vehicles (w/o smog tube in heads). Complete Set Includes Headers & Reducer Cones. Some welding required for Installation ..... Pair 179.95  
 \*To use on cars with Power Steering, Use Part #M 9419A.  
**M 9430H** 65/73; 260, 289, 302, Natural..... Pair 175.00  
**M 9430I** 65/73; 260, 289, 302, Ceramic Coated ..... Pair 302.95  
*Specifically designed to fit 260-302 engines in 64-73 Mustangs. This mid length design improves ground clearance for lowered applications. Larger 1 5/8" primaries and 3" collectors improve exhaust gas velocity increasing horsepower,*

- M 9447 Manifold Bolt Locks Kit**  
**M 9447A** 65/68; 289, 302 ..... Set of 8 13.30  
**M 9486 Smog Pump**  
**M 9486B\*** 66/67; 8 Cylinder ..... 124.95  
**M 9486C\*** 68/73; 6 & 8 Cylinder ..... 95.00  
**M 9487 Smog Air Tube Check Valve**  
**M 9487A** 65/67 ..... 59.95  
**M 9496 Smog Pump Air Filter**  
**M 9496A** 65/67; Made Of Foam Like Original..... Each 7.45



# EXHAUST SYSTEM

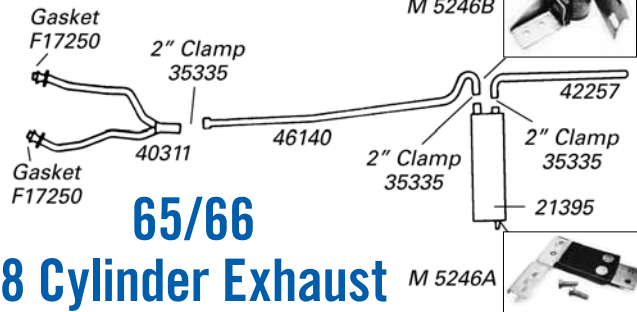
## Single Exhaust



## 65/66 6 Cylinder Exhaust

MEX F7355 Gasket • Exhaust Manifold to Head Pipe (1 Req.)	2.98
MEX 35343 Clamp • Muffler & Tail Pipe; (3 Required)	Each 2.09
MEX 21394 Muffler	77.95
MEX 44176 Header Pipe • Front Section	42.25
MEX 46165 Header Pipe • Rear Section	39.34
MEX 42256 Tail Pipe	16.11
M 5246A Hanger • LH Muffler (1 Required)	19.95
M 5246B Hanger • RH Rear Intermediate Pipe (1 Required)	11.52
M 5231A Clamp • To Attach #5A246-B To Rear Hdr. Pipe (1 Req.)	4.82
MSP 39909 Screw • 5/16" hex head, to attach Hangers to Body & Muffler - (8 Required)	Each .51
<b>M 5257A Complete Kit, Single Exhaust Installation</b> Includes all of the above listed parts	<b>198.00</b>

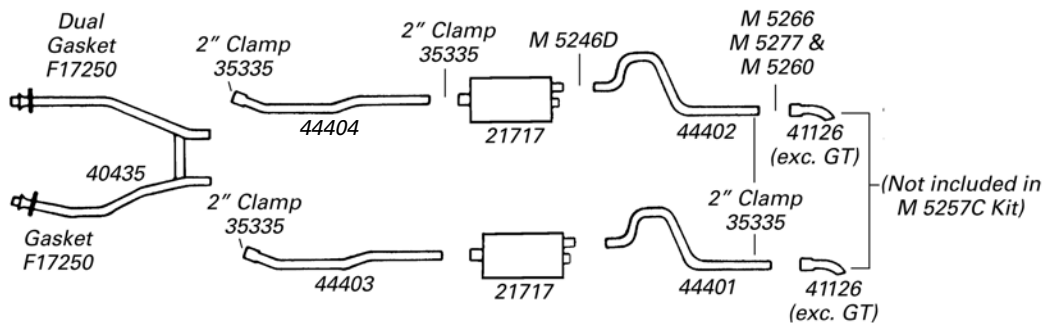
## Single Exhaust



## 65/66 8 Cylinder Exhaust

MEX F17250 Gasket • Exhaust Man. To Head Pipe; (2 Req.)	Each 3.99
MEX 35335 Clamp • Muffler To Tail Pipe; (3 Required)	Each 1.95
MEX 21395 Muffler	77.95
MEX 40311 Header Pipe • "Y" Type	111.86
MEX 46140 Intermediate Pipe	47.42
MEX 42257 Tail Pipe	16.11
M 5246A Hanger • LH Muffler (1 Required)	19.95
M 5246B Hanger • RH Rear Intermediate Pipe (1 Required)	11.52
M 5231A Clamp • To attach #M 5246B to Rear Hdr. Pipe (1 Req.)	4.82
MSP 39909 Screw • 5/16" hex head, to attach Hangers to Body & Muffler - (6 Required)	Each .51
<b>M 5257B Complete Kit, Single Exhaust Installation</b> Includes all of the above listed parts	<b>275.00</b>

## 65/66 8 Cylinder with Dealer Installed Dual Exhaust



MEX F17250 Gasket • Exhaust Manifold to Head Pipes (2 Required)	Each 3.99	M 5266A Hanger • Tail Pipe to Insulator (2 Req.)	Each 7.96
MEX 35335 Clamp • Exhaust Pipe & Muffler; (8 Required)	Each 1.95	M 5231B Clamp • Tail Pipe Extension to #5266 Hanger; (2 Required)	Each 4.82
MEX 21717 Muffler • (2 Required)	Each 36.25	MSP 23575 Bolt • 3/8" - 16 x 3"; To attach #5277 to underbody; (4 Required)	Each .96
MEX 40435 Head Pipe • "H" Type; (except HiPo)	90.85	MSP 55738 Nut • 3/8" - 16; 8 used	Each .51
MEX 44403 Pipe • LH, Muffler Inlet	27.22	MSP 39909 Screw • 5/16" Hex Head; (6 Required)	Each .51
MEX 44404 Pipe • RH, Muffler Inlet	27.22	MSP 378921 Stud • Exhaust Manifold to Head Pipe; (4 Required)	Each 5.75
MEX 44401 Tail Pipe • LH	37.32	MSP 34672 Nut • Exhaust Manifold to Head Pipe; (4 Required)	Each .96
MEX 44402 Tail Pipe • RH	37.32	M 5257C Aluminized Exhaust Kit, Dual Exhaust Installation. Includes Pipes & Mufflers Only. Does not include Part 41126 or Exhaust Hardware. See Page 25 for Hanger Kit (Part #M 5256D)	275.00
MEX 41126 Extension • Tail Pipe, RH or LH; (2 Required)	Each 16.11		
M 5246D Hanger • Rear of Muffler to Floor Pan (2 Req.)	Each 10.95		
M 5277A Bracket • LH; Rear Exhaust Pipe to Frame	7.95		
M 5277B Bracket • RH; Rear Exhaust Pipe to Frame	7.95		
M 5260B Insulator • Rear Exhaust Hanger (2 Req.)	Each 8.75		

\*Note: This Kit Does Not Include Exhaust System Hardware. For Exhaust System Hardware, See Part Number M 5256D (Listed On Page 29) Or Individual Parts Listed Above. The Individual Parts Listed Above Are Not Aluminized And Are Natural Steel.

# EXHAUST SYSTEM

**\*Single Exhaust**

**67**  
**6 Cylinder Exhaust**

MEX F7355	Gasket • Exhaust Manifold to Head Pipe (1 Req.).....	2.98
MEX 35343	Clamp • Muffler to Tail Pipe; (3 Required).....	Each 2.09
MEX 21519	Muffler.....	54.95
MEX 44235	Header Pipe • Front Section .....	34.75
MEX 46204	Header Pipe • Rear Section.....	38.33
MEX 42256	Tail Pipe .....	16.11
M 5246A	Hanger • RH to Muffler (1 Required).....	19.95
MSP 39909	Screw • 5/16" Hex Head, to Attach Hangers to Body & Muffler - (8 Required).....	Each .51
<b>M 5257E</b>	<b>Complete Kit, Single Exhaust Installation</b> <b>Includes all of the above listed parts .....</b>	<b>165.00</b>

**\*Single Exhaust 289 2Bbl. 4 Bbl.**

**67**  
**8 Cylinder Exhaust**

MEX F17250	Gasket • Exhaust Manifold To Head Pipe (2 Required).....	Each 3.99
MEX 35335	Clamp • Muffler To Tail Pipe; (3 Required).....	Each 1.95
MEX 21531	Muffler.....	59.45
MEX 43542	Header Pipe • "Y" Type.....	118.12
MEX 46292	Intermediate Pipe • without Resonator .....	44.39
MEX 42257	Tail Pipe .....	16.11
MEX 35261	Hanger Strap • To Repair Existing OEM Strap.....	12.15
MSP 39909	Screw • 5/16" Hex Head, To Attach Hangers To Body & Muffler - (8 Required).....	Each .51
<b>M 5257F</b>	<b>Complete Kit, Single Exhaust Installation</b> <b>Includes all of the above listed parts</b> <b>(Does Not Include Resonator).....</b>	<b>265.00</b>

**\*Single Exhaust**

**68**  
**6 Cylinder Exhaust**

MEX F17250	Gasket • Exhaust Manifold to Head Pipe .....	3.99
MEX 35335	Clamp • Muffler & Pipes (4 Required).....	Each 1.95
MEX 21701	Muffler.....	40.35
MEX 44277	Head Pipe .....	50.25
MEX 43416	Head Pipe • Intermediate .....	36.95
MEX 44271	Tail Pipe .....	24.45
MEX 35260	Hanger • Rear of Muffler Use with existing bracket attached to Body.....	12.45
MEX 35518	Hanger Assembly • Tail Pipe .....	24.95
MSP39909	Screw • 5/16" hex head, to attach Hangers to Body & Muffler - (6 Required).....	Each .51

**\*Single Exhaust 289 2Bbl. & 302 4 Bbl.**

**68**  
**8 Cylinder Exhaust**

MEX F17250	Gasket • Exhaust Manifold to Head Pipe (2 Required).....	Each 3.99
MEX 35336	Clamp • Head Pipe to Intermediate Pipe & Tail Pipe To Muffler (2 Required).....	Each 2.09
MEX 35335	Clamp • Tail Pipe to Rear Hanger (1 Req.).....	Each 1.95
MEX 21924	Muffler.....	40.35
MEX 43553	Header Pipe • "Y" Type.....	100.95
MEX 43415	Intermediate Pipe .....	28.53
MEX 44573	Tail Pipe .....	22.17
MEX 35518	Hanger Assembly • Tail Pipe .....	24.95
MEX 35260	Hanger • Rear of Muffler, Use with existing bracket attached to Body .....	12.45

## Engine Fastener Kits

Our Engine Fastener Kits Include exact original equipment hardware to attach the following engine components: Valve Covers, Oil Pan, Timing Cover, Water Pump, Crank Pulley, Intake Manifold, Water Neck, Distributor, Carburetor, Exhaust Manifolds, Fuel Pump, Oil Filter Adaptor, Engine Tag, Ignition Coil & Heat Shroud.

M 6000A	64 1/2/65; 170 & 200.....	79.79
M 6000B	66/67; 170 & 200.....	79.79
M 6000C	68; 170 & 200.....	79.79
M 6000D	69/73; 250.....	79.79
M 6000E	64 1/2/65; 260 & 289 w/Generator .....	99.99
M 6000F	64 1/2/65; 260 & 289 w Generator & Air Conditioning .....	99.99
M 6000G	65/65; 289 HiPo w/Generator .....	120.19
M 6000H	65; 289, Aluminum Water Pump w/Alternator .....	99.99
M 6000I	65; 289, Aluminum Water Pump w/Alternator & A/C.....	99.99
M 6000J	65; 289 HiPo, Aluminum Water Pump w/Alternator .....	99.99
M 6000K	66/67; 289, Cast Iron Water Pump .....	99.99
M 6000L	66/67; 289, Cast Iron Water Pump w/Air Conditioning.....	99.99
M 6000M	66/67; 289 HiPo, Cast Iron Water Pump .....	99.99
M 6000N	67; 289, w/Air Conditioning .....	99.99
M 6000O	68; 289 & 302 .....	99.99
M 6000P	68; 289 & 302, w/Air Conditioning .....	99.99
M 6000Q	67/68; 390, Standard Exhaust Manifolds.....	120.19
M 6000R	67; 390 GT.....	120.19
M 6000S	67/68; 428 Shelby.....	140.39
M 6000T	68/69; 390 GT.....	120.19
M 6000U	68; 428 CJ .....	120.19
M 6000V	68; 428 CJ Shelby .....	140.39
M 6000W	69/70; 428 CJ/SCJ .....	120.19

### M 6008 Engine Gasket Set

M 6008A	64 1/2/68; 170, 200, 6 Cylinder .....	99.50
M 6008B	69/73; 250 6 Cylinder.....	79.74
M 6008C	64 1/2/73; 260, 289, 302, 8 Cylinder .....	134.95
M 6008D	69/73; 351-W, 8 Cylinder .....	119.95
M 6008E	70/73; 351-C, 8 Cylinder .....	84.79
M 6008F	67/70; 390, 427, 428, 8 Cyl.(except Boss, CJ/SCJ) ...	124.95
M 6008G	69/73; 429(except Boss, CJ/SCJ) .....	96.91

### M 6019 Engine Timing Chain Cover

M 6019B	66/69; V8 Small Block; Use with cast-iron water pump.....	95.95
---------	--	-------

Note: See Also Part Number M 6020 & M 6700.

## Motor Mounts

### M 6028 Motor Mount Brackets

M 6028AK	66/70; 289, 302, 351.....	Pair	119.95
These are a must when converting 6 cylinder to V8.			
M 6028B	64/65; Early V8.....	Pair	56.95
M 6028C	67/70; 390, 428.....	Pair	125.95

### M 6038 Motor Mount - Front

M 6038A	65/66; RH,260, 289 (except Special), before 11/1/65 .....	24.58	
M 6038B	65/66; LH, 260, 289 (except Special), before 11/1/65.....	24.58	
M 6038C	65; 289 HIPO .....	38.33	
M 6038E	66; RH or LH, 289, from 11/1/65; 68/73; RH or LH, 302 (except Convertible); 69/70; RH or LH, Boss 302 Special .....	Each	32.08
M 6038F	68/70; RH or LH, 302 Convertible; 70; RH or LH, 302 Special, Convertible .....	19.95	
M 6038G	67/71; 390, 427, 428, 429CJ RH or LH .....	48.16	
M 6038H	65/66; 6 Cylinder, RH.....	15.95	
M 6038I	65/66; 6 Cylinder, LH.....	15.95	

### M 6039 Motor Mounts

M 6039A	65; 289 HIPO, Upper (Doughnut).....	Each	21.16
---------	-------------------------------------	------	-------

### M 6047 Motor Mounts

M 6047C	67/70; 390, 428 Engine Brackets .....	Pair	139.95
---------	---------------------------------------	------	--------

(These are plates that bolt to the motor...)

### M 6020 Timing Chain Cover Gasket

M 6020A	65/69; 289, 8 Cylinder.....	7.25
---------	-----------------------------	------

### M 6023 Timing Pointer

M 6023A	64/73 .....	8.95
---------	-------------	------

### M 6256 Camshaft Sprocket

M 6256A	65/68, 289; 68/72, 302 & 351; Iron 42 Teeth.....	16.95
---------	---	-------

### M 6268 Timing Chain

M 6268A	65/68, 289; 68/72, 302; 69, 351; 58 Links .....	14.95
---------	---	-------

### M 6306 Crankshaft Sprocket

M 6306A	65/68, 289; 21 Teeth.....	6.01
---------	---------------------------	------

### M 6312 Crankshaft Pulley Assembly

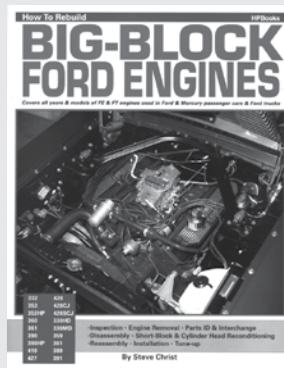
M 6312A	65/66, 6 Cylinder w/o A/C; Single Sheave.....	99.50
M 6312B	65/67, 289, 1 Groove, Chrome.....	68.95
M 6312C	65/67, 289, 2 Groove, Chrome.....	72.95
M 6312D	65/67, 289, 3 Groove, Chrome.....	165.00
M 6312E	65/68, 289/302, 2 Groove, 6 1/8" OD Silver .....	89.95
M 6312F	65/68, 289/302, 2 Groove, 6 1/8" OD Black .....	89.95
M 6312G	69, 289/302, 2 Groove, 6 1/8" OD Silver .....	95.95



## "How to Restore Your 1965/68 Mustang"

From dismantling to detailing, "How To Restore Your Mustang" will provide you a valuable guide for properly returning your classic Mustang to its original condition.

MLT 10 65/68 Mustang.....15.25



## "How to Rebuild Your Big Block Ford"


From the 332 to the 429 Super Cobra Jet, this book offers complete detailed information on preparing your "FE" for performance, economy, or street terror!

MLT 9 .....17.25


# ENGINE

<b>M 6316</b>	<b>Crankshaft Damper Assembly</b>		
M 6316A	65/68, 289 2 Bbl. & 4 Bbl., Premium Fuel .....	80.75	
M 6316B	69/73; 302 .....	99.95	
M 6316C	70/73; 302 4 Bolt .....	99.95	
M 6316D	70/73; 351W 4 Bolt .....	118.12	
M 6316E	70/73; 351M .....	118.12	
<b>M 6375</b>	<b>Automatic Transmission Flywheel</b>		
M 6375A	65/70; 289, 302, 351W.....	60.55	
<b>M 6600</b>	<b>Oil Pump</b>		
M 6600A	65/68; 289 & 302 .....	48.95	
<b>M 6618</b>	<b>Oil Pump Drive Rod</b>		
M 6618A	65/68; 260 & 289 .....	9.15	
<b>M 6626</b>	<b>Oil Pump Inlet Tube Gasket</b>		
M 6626A	65/68; 260 & 289 .....	4.85	
<b>M 6664</b>	<b>Smog Valve to Carburetor Spacer Hose</b>		
M 6664A	65/68, 289 PVC to Carburetor .....	Each	13.08
M 6664B	65/73, Hose, air cleaner to oil breather, with closed emissions; cut to fit.....	13.08	
<i>Note: To be used with our original 65/66 Oil Breather Spout Model 6766-H &amp; 6766-I, but will fit others as well. See Page 125 For Attaching Parts Kit MHK 222.</i>			
<b>M 6666</b>	<b>P.C.V. Valve</b>		
M 6666A	65/68; 289 68/72; 302 69/72; 351W & 351C .....	5.65	


## Engine Oil Pan



*M 6730A Oil Pan Plug  
M 6734A Plug Gasket*



*M 6675B*



*M 6675C*

<b>M 6675</b>	<b>Engine Oil Pan</b>		
M 6675A	67/69; 390, 427 & 428.....	64.95	
M 6675B	65/70; 260, 289 & 302.....	59.95	
M 6675C	65/73; 289 & 302, Chrome, .....	Each	94.95
<i>Pan Embossed With Ford Motorsport.</i>			
M 6675D	67/69; 390, 427, 428, Chrome .....	Each	81.55
M 6675E	65/72; 170 & 200.....	174.95	
M 6675F	69/73; Aluminum "T" High Capacity Pan, 351W .....	284.95	
<b>M 6700</b>	<b>Timing Chain Cover Crankshaft Seal</b>		
M 6700A	65/69; 289, 8 Cylinder .....	9.50	
<b>M 6730</b>	<b>Oil Pan Drain Plug</b>		
M 6730-A	65/73; All .....	3.16	
<b>M 6734</b>	<b>Oil Pan Drain Plug Gasket</b>		
M 6734A	65/73; All .....	1.95	

## Valve Covers



<b>M 6582</b>	<b>Valve Cover Assemblies</b>		
M 6582B	65/73; 260, 289, 302, (exc. Boss) & 351W, Aluminum With Raised Ribs Stamped "Mustang Powered By Ford" .....	Pairs Only	199.95
M 6582F	65/73; 260, 289, 302, (exc. Boss) & 351W, Aluminum With Raised Ribs Stamped "Cobra Powered By Ford" .....	Pairs Only	179.95
M 6582G	65/66; V8, Original - Chrome Finish .....	Pair	89.95
M 6582H	65/66; V8, Original - Natural Finish .....	Pair	60.55
M 6582I	65/69; 6-Cylinder, Chrome Finish .....	Each	63.58
M 6582N	67/73; 390, 427, 428.....	Pair	189.95

See Part #M 6584 for Valve Cover Gaskets.  
See Page 125 For Attaching Parts Kit MHK 422.

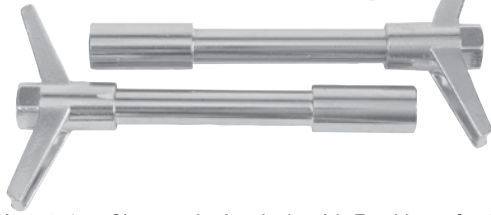
*Note: Valve Covers Will Only Work With Original Valve Train-Will Not Work With Roller Rockers.*

## PVC To Carburetor Spacer Hose

M 6664A	65/68; PVC To Carb With Ford Script, 289 .....	13.08
M 6664C	69/70; With Ford Script, 351W .....	20.95
M 6664D	70/73; With Ford Script, 351C.....	20.95
M 6664E	68/70; With FOMOCO Script, 390, 428 .....	34.95

<b>M 6584</b>	<b>Rocker Arm Cover Gasket</b>		
M 6584A	65/73; 6 Cylinder, 170, 200, 250 .....	Each	11.45
M 6584C	65/73; 260, 289, 302, (exc. Boss) & 351W .....	Pair	13.87
M 6584D	67/70; 390, 427 & 428 .....	Pair	13.75
M 6584E	69/71; Boss 302; 70/73, 351C.....	Pair	16.10
M 6584F	70/73; 429, (exc. Boss 429).....	Pair	16.75

## Valve Cover Wing Bolt



M 6680A 65/73; Chromed wing bolt with Ford logo for fast removal of valve cover. Is a nice engine dress up accessory ..... Pair 10.15



## Boss 302 Engine Modification Manual

“Outlines modifications to help race-build your Boss 302 engine for street or track use.  
MLT 2 .....7.50

## Oil Filler & Breather Caps

M 6766C 65/68; 289, Twist-On Type, Open Emission Gray Finish ..... 12.95

M 6766D 65/67; 6 Cylinder, 260; 66/67, 289 Special (From 5/2/66) Twist-On Type 67/69; 390 With Open Or Non-Emission System; Chrome Finish ..... 12.30

M 6766F 65/66; 8 Cylinder, 260 & 289, Push-On Type, Non-Emission, Reproduction Of Original Black Finish ..... 9.95

M 6766G 65/66; 8 Cylinder, 260 & 289, Push-On Type, Non-Emission, Reproduction Of Original Chrome Finish ..... 10.95

M 6766H 65/66; 8 Cylinder, 260 & 289, Push-On Type, Emission System, Reproduction Of Original Black Finish ..... 14.46

M 6766I 65/66; 8 Cylinder, 260 & 289, Push-On Type, Emission, Reproduction Of Original Chrome Finish ..... 12.95

M 6766J 65/70; Chrome, w/Spout For Closed Emissions..... Each 22.95

M 6766M 65/73; “Ford Racing” Push in Type ..... Each 10.00

M 6766R 65/73; “Ford Racing” Non Shielded, Washable Push in Type..... Each 32.95

MSP 381898 Grommet - PCV & Breather Cap Also Used On Steel Valve Cover ..... 1.52  
See Page 87 For Attaching Parts Kit MHK 222.



M 6766D



M 6766F



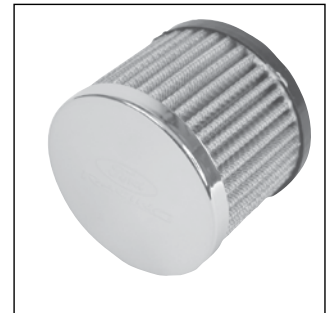
M 6766G



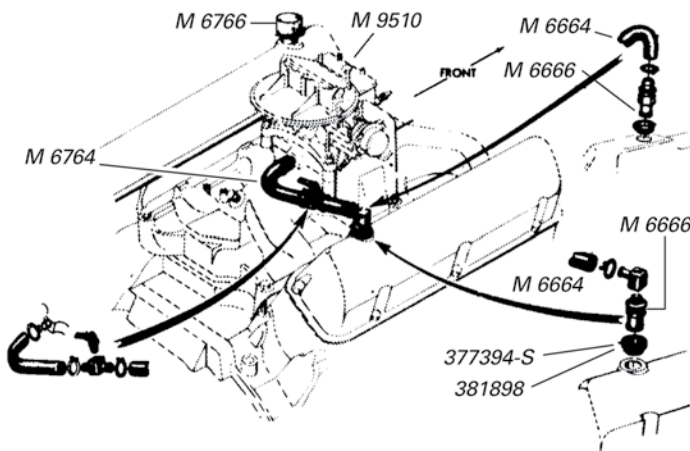
M 6766H



M 6766I



M 6766R



Typical Oil Breather Cap & Valve Cover Assembly

## Engine Oil Filter



M 6731A



M 6731B

**NEW**

M 6731A	65/73	.....	Each	11.06	
M 6731B	65/70;	Gold Painted Filter With Rotunda Detail	.....	Each	14.95

## Engine Oil Dipsticks

M 6750B

M 6750C

M 6750G

M 6750L

M 6750BC	64; 260 & 289 Engines, Chrome	.....	Each	17.12
M 6750EC	65/68; 289 & 302 Eng., 19 in., Chrome	.....	Each	17.12
M 6750GC	69; 302 & 351W Eng., Chrome	.....	Each	17.12
M 6750LC	70; 351C & 351CJ Eng., Chrome	.....	Each	17.12

## Engine Oil Dipstick Tube

M 6754A	64; 260, 289	.....	Each	11.06
M 6754C	65; 289	.....	Each	11.06
M 6754E	66/67; 289	.....	Each	11.06
M 6754F	69; 351 W	.....	Each	11.06

## Valve Cover & Oil Cap Elbow

M 6767A 65/73 ..... 12.50



<b>M 6781</b>	<b>Engine Oil Pan Gasket Set</b>			
M 6781A	65/73, 6 cylinder, 170, 200	.....		12.85
M 6781B	69/73, 6 cylinder, 250	.....		12.25
M 6781C	65/73, 8 cylinder, 260, 289, 302, Boss 302	.....		18.95
M 6781D	69/73, 8 cylinder, 351W	.....		14.75
M 6781E	70/73, 8 cylinder, 351C	.....		15.10
M 6781F	69/71, 429, Boss 429	.....		11.06

<b>M 6868</b>	<b>Breather Cap to Valve Cover Stem</b>			
M 6868A	Stem, twist-in; Used with push-on oil filter breather cap	.....		10.95

## Valve Cover Grommet



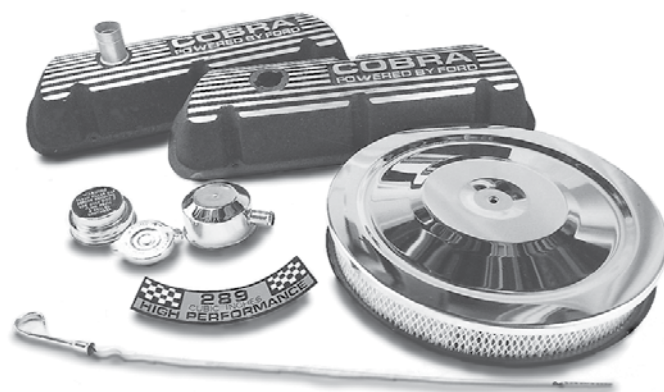
M 6892A



M 6892B

<b>M 6892</b>	<b>Grommet - Valve Cover</b>			
M 6892A	Grommet for Cobra Valve Cover	.....		3.69
M 6892B	67/68; 289 • 68/71; 302 • 69/70; 351	.....	Each	2.27
MSP381898	Grommet; 68/73 For PCV & Breather Cap	.....		1.52

## Engine Dress-Up Kit



Our Engine Dress-Up Kits are a great way to liven up your engine compartment and add a little bit of visual excitement to a sometimes overlooked area. All items in our Dress-Up Kit are of the finest quality in craftsmanship and finish. Each piece features either deep rich chrome or an aluminum finish (valve covers) with black matte trim.

**M 6980AK 65/66; 289 w/Drum Brakes.**  
Kit Includes the following items: (1) Chrome Master Cylinder Cap, (1) Chrome Oil Dip Stick, (1) Chrome Oil Filler Cap, (1) PVC Grommet, (1 Pair) "COBRA" Valve Covers, (1) Chrome Radiator Cap and (1) Chrome Air Cleaner w/289 HiPo Decal. .... 275.00

**M 6980BK 65/66; 289 w/Disc Brakes.**  
Kit Includes the following items: (1) Chrome Master Cylinder Cap, (1) Chrome Oil Dip Stick, (1) Chrome Oil Filler Cap, (1) PVC Grommet, (1 Pair) "COBRA" Valve Covers, (1) Chrome Radiator Cap and (1) Chrome Air Cleaner w/"289 HiPo" Decal. .... 275.00

**M 6980CK 67/68; 289 & 302 w/Drum Brakes.**  
Kit Includes the following items: (1) Chrome Master Cylinder Cap, (1) Chrome Oil Dip Stick, (1) Chrome Oil Filler Cap, (1) PVC Grommet, (1 Pair) "COBRA" Valve Covers, (1) Chrome Radiator Cap and (1) Chrome Air Cleaner w/"289 HiPo" Decal. .... 275.00

**M 6980DK 67/68; 289 & 302 w/Disc Brakes.**  
Kit Includes the following items: (1) Chrome Master Cylinder Cap, (1) Chrome Oil Dip Stick, (1) Chrome Oil Filler Cap, (1) PVC Grommet, (1 Pair) "COBRA" Valve Covers, (1) Chrome Radiator Cap and (1) Chrome Air Cleaner w/"289 HiPo" Decal. .... 275.00

*Note: For the hose to connect the oil fill cap to the air cleaner use Part No. M 6664B.*

## Engine Belts Belts are stamped with the part numbers just like the originals.

### Alternator Belts

M 8620A	65; 200 No A/C (C5DE-8620-D).....	22.95
M 8620B	65/67; 289 Hipo (C5OE-8620-K).....	22.95
M 8620C	65/69; 260, 289, 302 & 66/67 No A/C (C4TE-8620-S).....	22.95
M 8620D	66/67; 289 With A/C (CA4E-8620-A).....	22.95
M 8620E	66/70; 200 No A/C (C5DE-8620-C).....	22.95
M 8620F	67; 390, 428 No A/C (C4AE-8620-D).....	22.95
M 8620G	68/69; 428CJ No A/C (C6AE-8620-L).....	22.95
M 8620H	69/70; 428CJ No A/C (C4AE-8620-H).....	22.95
M 8620J	70; 302 Boss With P/S (DOZE-8620-E).....	22.95
M 8620K	70; 302, Boss 302, 351, 351C No P/S (Doze-8620-F).....	22.95
M 8620L	70/71; 302, 351C With P/S or A/C (C4AE-8620-B).....	22.95

### Generator Belts

M 8620M	64; Hipo (C2OE-8620-AC).....	22.95
M 8620N	64; Small Block (C4SE-8620-C).....	22.95

### Power Steering Belts

M 8620P	64/65; 260, 289 With Gen & Eaton Pump (C3OE-8620-B).....	22.95
M 8620Q	65; 260, 289 With A/C (C5AE-8620-E).....	22.95
M 8620R	65; 200 No A/C & Ford Pump (C5DE-8620-E)...	22.95
M 8620S	65/66; 260, 289 With Ford Pump No A/C (C5AE-8620-U).....	22.95
M 8620T	66; 289 No A/C (C6OE-8620-D).....	22.95
M 8620U	67; 390, 428 No A/C (C5AE-8620-L).....	22.95
M 8620V	67; 289 No A/C (C6TA-8620-J).....	22.95
M 8620W	67/68; 289 No A/C (C6OE-8620-A).....	22.95
M 8620X	68/69; 302, 351W No A/C Before 10-2-69 (C6DE-8620-G).....	22.95
M 8620Y	68/69; 390, 428CJ & SCJ No A/C 10-2-69 (C8SE-8620-B).....	22.95
M 8620Z	68/70; 390 GT, 428CJ & SCJ With A/C (C6AE-8620-T).....	22.95
M 8620ZA	69/70; 390, 428CJ & SCJ No A/C After 10-2-69 (C9OE-8620-D).....	22.95
M 8620ZB	70; Boss 302 No A/C & 351W With A/C (DOZE-8620-A).....	22.95
M 8620ZC	70; 351W No A/C (DOZE-8620-B).....	22.95
M 8620ZD	70/71; 351C, 429 With A/C & 302 No A/C (DOZE-8620-K).....	22.95
M 8620ZE	70/71; 351C, Boss 351, 429 No A/C (DOOE-8620-A).....	22.95

### Smog Pump Belts

M 8620ZF	68/70; 428CJ, SCJ No A/C (C6OE-8620-B).....	22.95
M 8620ZG	69/70; 428CJ, SCJ With A/C (C8ZE-8620-C).....	22.95
M 8620ZH	70; 428CJ, No A/C (DODE-8620-A).....	22.95

### A/C Belts

M 8620ZK	65/67 & 69; Small Block Before 1-23-69 (C4ZE-8620-B).....	22.95
M 8620ZL	67/68; Small Block After 1-2-69 (C7OE-8620-D).....	22.95
M 8620ZM	70; 302, 351W, 351C (DOAE-8620-H).....	22.95

### M 9278 Oil Sender Switch

M 9278A	65; Without Gauge 67/68, 289, 302, Before 5/6/68 w/tach & trip odometer	14.95
M 9278B	All; With Gauge.....	18.95

### M 9308 Oil Gauge

M 9308A	65/66; With Gauges.....	79.74
M 9308D	68.....	64.00
M 9308E	69; Black Face.....	64.00
M 9308F	70; Grey Face.....	64.00

### M 9319 Fuel Line Pump to Carburetor Bracket

M 9319A	65; Zinc plated.....	14.09
M 9319B	66; Natural steel.....	14.65

### M 9339 Oil Sending Unit Fitting

M 9339A	65/66; 289 with oil pressure gauge.....	19.25
---------	---	-------

## Fuel Pumps

M 9350A	65; 260, 289.....	58.95
M 9350B	66/67; 289 (except Special).....	39.95
M 9350C	68; 289, 2 Bbl., 302 69; 302, 351 70/73; 302 2 bl. ....	29.95
M 9350D	68; 390 2 Bbl. 69; 390.....	30.25
M 9350E	70; 351C 71/73; 351.....	39.95
M 9350F	65; 6 Cylinder 66/67; 6 Cylinder w/Air Cond. & Smog Pump....	46.50



## Fuel Filter Element



M 9365A

### M 9365 Gas Filter Element Assembly

M 9365A	65; Canister Type, Inside Fuel Pump.....	7.95
---------	--	------

Note: Also See Part Number M 9155.

### M 9369 Pump to Carburetor Fuel Line

M 9369A	65; 289.....	18.95
M 9369B	66/67; 289.....	20.15
M 9369C	64/65; 170, 6 Cylinder.....	18.75
M 9369D	66/68; 200, 6 Cylinder.....	21.95
M 9369SK	64 1/2 to 66; Clip & Screw Set for Fuel Line from Pump to Tank.....	14.50

See Page 125 For Attaching Parts Kits MHK 221 & MHK 237

### M 9447 Manifold Bolt Locks - Kit

M 9447A	65/68; 289, 302.....	Set of 8 13.30
---------	----------------------	----------------

## Smog Parts

### M 9486 Smog Pump

M 9486C*	68/73; 6 & 8 Cylinder.....	65.00
M 9496	Smog Pump Air Filter	
M 9496A	65/67; Made Of Foam Like Original.....	Each 7.45

### M 10884 Engine Water Temperature Sender

M 10884A	65/66; 6 & 8 Cylinder, before 9/1/65.....	19.29
M 10884B	66/69; 6 & 8 Cylinder, from 9/1/65.....	18.75



## Engine Paints

### Engine Compartment Detailing Paint\*

Here's a quick way to make your engine compartment look new again! A new coat of Engine Compartment Black Paint will enhance the appearance of your engine, as well as protect vital components from rust and the elements. Matches original Ford color and shine consistency.

<b>MPT 640</b>	<b>Engine Black*</b> (13 oz. Can) All Years/Models .....	6.95
<b>MPT 1752</b>	<b>Power Steering Pump Blue*</b> (13 oz. Can) 65/66 .....	8.03
<b>MPT 1753</b>	<b>Grille Gun Metal Blue*</b> (13 oz. Can) 64/65 .....	9.04

### Factory-Matched Engine Detailing Paint\*

All paints featured by Larry's are color-matched to original Ford factory specifications and are easy to use. Paints are heat resistant to offer years of extended use when applied properly. All spray cans come in 11 oz. size, with directions for proper application.

<b>MPT 1612</b>	<b>Black</b> '65; All Engines (Block, Heads, Intake Manifold).....	7.50
<b>MPT 1909</b>	<b>Ford Light Blue</b> '64 1/2; 260 8-Cylinder (Air Cleaner & Rocker Covers).....	7.50
<b>MPT 1705</b>	<b>Ford Gold</b> '65; 289 8-Cylinder (Air Cleaner & Rocker Covers).....	7.50
<b>MPT 1923</b>	<b>Ford Dark Blue</b> '66/73; All Engines (All Engine Parts Applicable) .....	7.50
<b>M 19000A</b>	<b>Argent (Silver)</b> '65/73; All Engines (All Engine Parts Applicable) .....	8.50

### Cast Blast

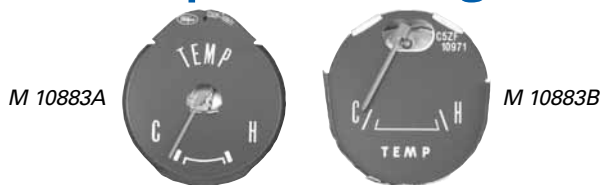
High-performance coating suitable for heads, blocks, or other cast iron parts, restoring them to their original lustre. Cast Blast prevents rust, is quick drying, and durable.



TPT CB

<b>TPT CB</b>	<b>Cast Blast*</b> (12 oz. Can) .....	10.35
---------------	--	-------

### Temperature Gauge



<b>M 10883</b>	<b>Temperature Gauge</b>	
M 10883A	65 .....	Each 79.74
M 10883B	65/66; With Guages.....	Each 79.74
M 10883D	68 .....	64.00
M 10883E	69; Black Face .....	64.00
M 10883F	70; Grey Face.....	64.00

### Fuel Gauge

M 9305J	70; Fuel & Alternator Set, Grey Face.....	129.00
---------	---	--------

### Dash Emblems

M 04460A	69/70; Chrome Bezel for Peel & Stick Emblems.....	19.95
M 04460D	69/70; "Mach 1" Peel & Stick .....	8.00
M 04460E	69/70; "Mustang" Peel & Stick.....	8.00
M 04460F	69/70; "Grande" Peel & Stick.....	14.25
M 04460G	71/73; "Mustang" Peel & Stick.....	10.00

### Attaching Hardware for this Section

MHK 222	Clamp Kit, for hose from oil cap to air cleaner 65/66; Set of 2.....	Kit 1.80
MHK 422	Valve Cover Bolt Kit, V8; 65/68, Kit of 6.....	Kit 9.89
MSP 381898	Grommet, for PCV in oil cap; 68/73.....	Each 1.52

*Be Sure to Ask About Larry's Gift Certificates!*



# TRANSMISSION

M 6023B



<b>M 6023</b>	<b>Transmission Support Brace</b>		
M 6023B	65/66	Each	52.95
M 6023C	67/70	Each	52.95
<b>M 6068</b>	<b>Transmission Mount</b>		
M 6068A	65/72; 6 & 8 Cylinder small block (except 65/67 HiPo, 66 3-Speed & 69/72 Convertible).....		14.95
<b>M 7007</b>	<b>Transmission Spacer Plate</b>		
M 7007A	65/68; C4 Fits with 157 Tooth Flywheel Includes Inspection Plate	Set	49.95
M7007B	64/65; Standard Transmission, Small Block, 5 Bolt	Each	36.95
M7007C	65/68; Standard Transmission, 289, 6 Bolt, 157 Tooth Flywheel	Each	37.95
M7007D	68/73; Standard Transmission, 302, 164 Tooth Flywheel	Each	39.95
<b>M 7020</b>	<b>Transmission Oil Level Indicator</b>		
M 7020B	C4 Transmission		15.10
<b>M 7034</b>	<b>Extension Housing Bushing</b>		
M 7034A	65/72; 6 & 8 Cylinder, (3.03) 3 speed-type transmission; 65/68; 260, 289, & 390; 69; 302, 351, 390, Ford Type, 4 speed 65/66; 8 Cylinder, All Engines, Warner type, 4 Speed		16.25

## Steel Transmission Lines

M 7032A	64/65, 170, 6 Cylinder	Per Set	42.37
M 7032B	66, 200, 6 Cylinder	Per Set	42.37
M 7032C	64/65, 8 Cylinder, C-4 Transmission	Per Set	42.37
M 7032D	67/70, 8 Cylinder, C-4 Transmission	Per Set	42.37
M 7032E	68/70, 8 Cylinder, 390 & 428, C-6 Trans.	Per Set	42.37
M 7032F	66; 8 Cylinder, C-4 Transmission	Per Set	42.37
M 7032G	67/70, 6 Cylinder, C-4 Transmission	Per Set	42.37

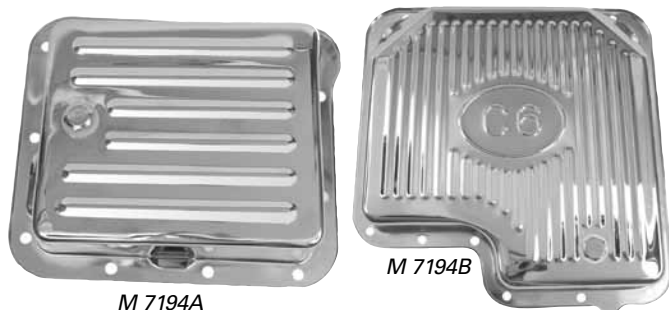
<b>M 7094</b>	<b>Automatic Transmission Vacuum Line</b>		
M 7094A	64/65; 6 cylinder	Each	20.20
M 7094B	64/65; 8 cylinder	Each	20.20
M 7094C	66; 8 cylinder	Each	15.15
M 7094D	67/69; 8 cylinder, C4	Each	15.15
M 7094E	68/70; 8 cylinder, 90 Degree Bend at the Transmission End.	Each	15.15
M 7094F	68/69; 8 cylinder, C6, Straight at the Transmission End.	Each	15.15
<b>M 7098</b>	<b>Transmission Oil Pan Screen (Filter)</b>		
M 7098A	65/69; 6 & 8 Cylinder, C4 Trans. (Includes Gasket) ..		16.50
<b>M 7125</b>	<b>Transmission Gear Shift Lever Trunnion</b>		
M 7125A	65; 6 & 8 cylinder, All, with 3 speed; Before 8/20/64; 65/68; 6 & 8 cyl., All, with 4 spd.; Used w/coil spring	Each	5.96
M 7125B	65/68; 6 & 8 cyl., All w/3-speed; Used w/rubber spring	Each	1.95
	<i>Note: See Part Number 7208 for Spring Assembly. See Page 125 for Attaching Parts Kits MHK 220A &amp; 220B.</i>		
<b>M 7133</b>	<b>Auto Transmission Shift Control Bushings - Kit</b>		
M 7133K	65/73; Includes (2) Nylon Bushings		3.00
<b>M 7138</b>	<b>Lower Shift Linkage Boot</b>		
M 7138B	65/68; 3-Speed Transmission		24.19
M 7138C	65/68; 4-Speed Transmission		24.19

## Auto Trans Kick Down Cable Retraction Spring

M 7146A	65; 6 Cyl & 67/69 All	Each	6.95
M 7146B	65/66; 6 Cyl & 67/69 All	Each	6.95
M 7146D	71/73; V8	Each	6.95

<b>M 7187</b>	<b>Automatic Transmission Kick-Down Cable</b>		
M 7187A	65/68; All, C4 Transmission (exc. early 64 1/2 & 65 w/kick-down rod)		18.75
<b>M 7208</b>	<b>Transmission Gear Shift Lever &amp; Insulator Pin Spring</b>		
M 7208A	65, 6 & 8 cylinder, All, with 3 speed, Before 8/20/64; 65/68; 6 & 8 cylinder, All, with 4 speed, 5/16" long - 13/32" O.D.; 4 Coils	Each	.99
M 7208B	65/68, 6 & 8 cylinder, All, with 3 spd., from 8/20/64, rubber; 1/4" I.D. - 39/64" O.D. - 17/64" thick	Each	6.25
	<i>See Page 125 For Attaching Parts Kits MHK 220A &amp; 220B.</i>		

## Transmission Oil Pan



<b>M 7194</b>	<b>Transmission Oil Pan</b>		
M 7194A	65/73; C4, Chromed With Drain Plug	Each	38.71
M 7194B	65/73; C6, Chromed With Drain Plug	Each	27.49
M 7194C	65/73; C4 Transmission Steel, OEM Style	Each	22.25

## Gear Shift Levers



<b>M 7210</b>	<b>Transmission Shift Selector Lever</b>		
M 7210A	65/67; STD Transmission		58.95
M 7210B	65/67; All, With 4 Speed Transmission, (less shift knob)		159.95
M 7210C	65/68; Automatic Transmission & without Console		109.95
M 7210D	69/73; Automatic Transmission		75.70
M 7210E	68; 4-speed w/reverse lock-out		141.35
M 7210FK	67/68; Automatic, Includes, Handle, Lever & Pod, Use With Console Only	Each	157.95
MSP 379818	Bolt; Standard Shift Lever	Each	6.82
MSP 379998K	Bushings; Std. Shift Lever, 65/73 (Set Of 2)	Set	5.68
MSP 356590	Washer; Shift Lever Bolt, 65/68	Each	.40
	<i>See Page 125 For Attaching Parts Kits MHK 220A &amp; 220B.</i>		

## Backup Light Switch Retainer

M 15541D	70/73; 4 Speed Transmission	Each	4.60
----------	-----------------------------	------	------



# TRANSMISSION

<b>M 7341</b>	<b>Automatic Trans. Control Selector Arm Insulator</b>	
M 7341B	70/73, 6 & 8, All; 5/16" I.D. - 15/32" 15/32" long at lockout rod .....	3.83
<b>M 7343</b>	<b>Auto. Trans. Selector Arm Bushing &amp; Insulator Kit</b>	
M 7343A	65, All; Consists of: (2) Insulator and (1) Bushing...	6.95
<b>M 7351</b>	<b>Transmission Control Selector Dial Seal</b>	
M 7351A	65/68; Without Console .....	4.23
M 7351B	69/73; All.....	12.50
<b>M 7370</b>	<b>Shifter Housing Seal</b>	
M 7370A	65/68; Automatic Trans., Lower shifter housing to floor seal.....	2.47
M 7370B	69/73; Automatic Transmission, Lower shifter housing to floor seal.....	2.47
<b>M 7377</b>	<b>Automatic Transmission Modulator Valve</b>	
M 7377A	65/72; C-4 & C-6 Transmission; threaded type.....	38.95
M 7377B	72/73, C-4 Transmission; push-in type .....	28.61

## Auto. Trans. Selector Housing



<b>M 7394</b>	<b>Automatic Transmission Shifter Housing</b>	
M 7394A	65/66; To be used w/out console.....	39.95
M 7394B	67/68; To be used w/out console.....	39.95
M 7394C	69/70; To be used w/out console..... Each	70.65

*See Page 125 For Attaching Parts Kit MHK 135.*

<b>M 7440</b>	<b>Transmission Kick Down Lever Bushing</b>	
M 7440A	65; 8 Cylinder, 66/73, All; 3/16" I.D. - 5/16" O.D. - 5/16" long .....	.89

## Auto. Transmission Shift Selector Dial Bezel



M 7443C

<b>M 7443</b>	<b>Automatic Transmission Bezel</b>	
	Shift Selector Dial	
M 7443B	67/68; Brushed Aluminum For Console-Type..	13.08
M 7443C	65/66; Shift Assembly For Auto Console .....	39.34
<b>M 7445</b>	<b>Automatic Transmission Console Slide</b>	
M 7445A	65/66.....	2.02
M 7445B	67/68; All, 7 3/4" long - 1 13/16" wide.....	2.02

*Can't make a decision on the best gift? Larry's gift certificates are the solution! Ask our Sales Specialists for complete details*

## Shift Handle Button



<b>M 7488</b>	<b>Button Assembly</b>	
	A/T Shifter T-Handle	M 7488A
M 7488A	65/73, All, Black .....	Pair 6.69
M 7488B	68/71, Chrome, Deluxe Interior .....	29.95
<b>M 7507</b>	<b>Clutch Release Equalizer Bar • Frame Side Mount</b>	
M 7507A	65/70; 6 & 8 Cylinder, All - (exc. 390, 427, 428) .....	16.95
M 7507B	67/70; 390, 427 & 428 .....	32.45

## Clutch Release Lever Dust Boot

M 7513C



<b>M 7513</b>	<b>Clutch Release Lever Dust Boot</b>	
M 7513A	65; 6 Cylinder; 170, 200.....	12.12
M 7513B	65; 8 Cylinder; 66/71, 6 & 8 cyl., 250, 289, 302, 351, (exc. Special) bellows type.....	14.09
M 7513C	66/70; 6 Cylinder, 170, 200.....	19.14
M 7513E	71/73..... Each	13.95

<b>M 7515</b>	<b>Clutch Release Lever</b>	
M 7515A	65/66; 6 Cylinder.....	56.51
M 7515B	65/68; 8 Cylinder, All, Before 2/15/68 .....	60.55

*Note: See Part No. M 7562 For Anti-Rattle Spring.*

<b>M 7519</b>	<b>Pedal to Equalizer Bar Rod</b>	
M 7519A	65/66; 6 & 8 Cylinder .....	116.10
M 7519B	67/68; 6 & 8 Cylinder .....	174.95
M 7519C	69/70; 6 & 8 Cylinder .....	174.95
M 7519D	71/73; 6 & 8 Cylinder .....	174.95

<b>M 7520</b>	<b>Clutch Pedal Shaft Repair Kit</b>	
M 7520A	65/67, 6 & 8 Cylinder; Includes all parts necessary to rebuild clutch pivot under dash.....	19.14

*Note: Also See Part No. M 2472.*

<b>M 7521</b>	<b>Pedal to Equalizer Bar Rod</b>	
M 7521A	65, All, 16" .....	16.16
M 7521C	69/70, 200, 302, 351; 12 1/2" .....	25.96
M 7521D	67/68, 6 & 8 Cylinder .....	25.96
M 7521K	66; 8 Cylinder.....	20.15

<b>M 7521</b>	<b>Equalizer Bar to Clutch Release Lever Rod</b>	
M 7521F	66; 289, 6 1/2" .....	21.95
M 7521G	67; 6 Cylinder, 289, 8 1/4" .....	22.95
M 7521J	69/70; 302, 351 7 1/8" .....	16.82

<b>M 7522</b>	<b>Clutch Release Lever Bracket</b>	
M 7522A	65/68; 8 Cylinder, Before 2/15/68.....	15.71
M 7522B	65/68; 6 Cylinder.....	24.60
M 7522D	68/71; 8 Cylinder, After 2/15/68; 72; 6 & 8 Cylinder.....	25.20

<b>M 7523</b>	<b>Clutch Release Lever Rod Spring</b>	
M 7523B	67/68; Clutch Rod Spring .....	10.61
M 7523C	65/66; 8 Cylinder, Before 2/14/66, 14" long .....	10.05
M 7523D	69/70; 200, 250, 302 & 351; 4 1/2" long .....	9.90

<b>M 7526</b>	<b>Clutch Release Rods Bushing</b>	
M 7526A	65/73, 6 & 8 Cylinder, All, Nylon .....	Each 1.62

<b>M 7528</b>	<b>Clutch Release Equalizer Bar Assembly</b>	
M 7528A	65; 289, (Except Special).....	59.95
M 7528B	67/70; 289 & 302 (Except Special & Boss).....	59.95
M 7528C	65/66; 289 "HiPo" K Motor .....	119.95
M 7528D	69/70; 390, 428.....	86.00
M 7528E	69/70; 351W .....	72.67
MSP351517	65/70; Felt Washer - (2 Required) (Exc. 390, 427, 428) .....	Each 1.25
MSP358979	67/70; Felt Washer - 390, 427, 428 & Boss 429.....	Each 1.28

<b>M 7529</b>	<b>Clutch Equalizer Bar Bushing Kit</b>	
M 7529AK	65/70; 6 Cylinder, 65/73; 260, 289 302 & 351 Includes Bushings, Clips & Felt Washers .....	10.66
M 7529BK	67/70; 390, 427, 428 & 429 Includes Bushings, Clips & Felt Washers .....	9.11

*Note: Part No. M 7528A & C will work on '66's by removing swivel block & using the bushing.*

# TRANSMISSION

<b>M 7530</b>	<b>Clutch Pedal Stop Bracket</b>	
M 7530A	65/66; All.....	30.25
<b>M 7531</b>	<b>Clutch Equalizer Bar • Engine Side Mounting</b>	
M 7531C	67/70; 390, 427 & 428.....	14.95
<b>M 7533</b>	<b>Clutch Pedal Rod Seal</b>	
M 7533A	65/66; 6 & 8 Cylinder, All, from 12/14/64 to 2/14/66.....	6.92
M 7533B	67/73; 6 & 8 Cylinder, All.....	10.05
<b>M 7534</b>	<b>Clutch Pedal Return Spring</b>	
M 7534B	65; All	
	66/68; 200, 289 & 302 Engines, 4 Speed.....	17.50
M 7534C	69/73; Incluc.....	29.95
<b>M 7535</b>	<b>Clutch Pedal Spring to Support Bracket</b>	
M 7535A	65/66; All.....	30.25
<b>M 7543</b>	<b>Clutch Release Equalizer Bar Ball</b>	
M 7543A	65/70, 6 cyl.; 65/73, 8 cyl. (exc 390, 427, 428, 429); 3/4" O.D. - 7/16" I.D. - 1/2" thick.....	Each .89
M 7543B	67/70; 8 Cylinder, 390, 427, 428, 429; 71/73; 6 & 8 Cylinder, All; 1" O.D. - 5/8" I.D. - 1/2" thick.....	Each 2.53

## Clutch Disc Kits

M 7550AK	65/73; 289, 302, 10 1/2".....	Each 329.95
M 7550BK	65/68; 289, 10".....	Each 170.00
M 7550CK	68/73; 302, 10".....	Each 145.00
M 7550DK	68/73; 351, 11".....	Each 162.00

*These Kits Included the Clutch Disc, Plate, Throw Out Bearing and Pilot Bushing.*

<b>M 7562</b>	<b>Clutch Release Lever Anti-Rattle Spring</b>	
M 7562A	65/68; 6 & 8 Cylinder. Use With Part Number 7515.....	7.02
M 7580	Clutch Release Bearing	
M 7580B	65/73; Small Block V8.....	20.65
<b>M 7591</b>	<b>Clutch Release Lever Spring</b>	
M 7591A	66/68; 200 Engine.....	3.95
M 7591C	69/71; 200, 250, 302, 351, 429, Before 6/15/71, 3 1/8" long.....	8.50
<b>M 7629</b>	<b>Clutch Release Equalizer Shaft Ball Retainer</b>	
M 7629A	65/70; Small Block.....	Each 2.09
MSP97474	67/70; Big Block.....	Each 1.02

## Accelerator Linkage Spring Bracket

M 9741B	64/68; 2 BBL.....	Each 5.85
---------	-------------------	-----------

## Clutch Pedal Pad & Cover



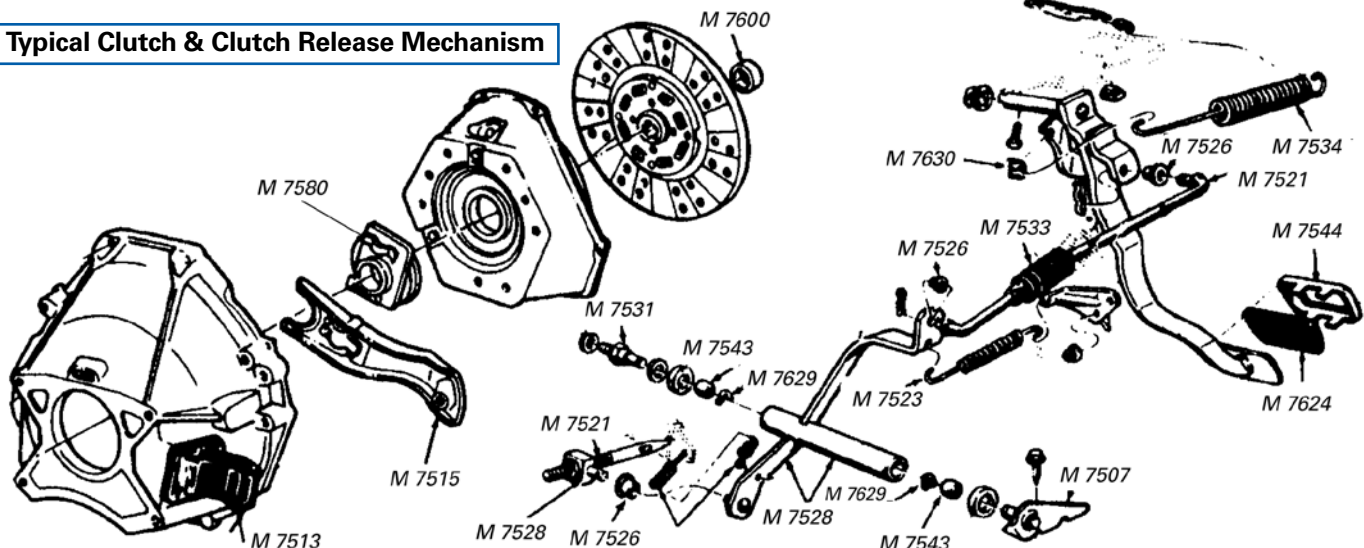
<b>M 7544</b>	<b>Clutch Pedal Pad Cover</b>	
M 7544A	65/68.....	13.76
M 7544B	69/73.....	15.10
<b>M 7624</b>	<b>Clutch Pedal Pad</b>	
M 7624A	65/68.....	6.95
M 7624B	69/73.....	8.03

<b>M 7986</b>	<b>Transmission Inspection Plate</b>	
M 7986A	66/70; C6.....	32.27
M 7986C	66/70; FMX.....	11.04
<b>M 15520</b>	<b>Backup Lamp Switch</b>	
M 15520A	65/66; 4-Speed Transmission.....	49.95
M 15520B	65/66; With Standard 3-Speed Transmission.....	56.46
M 15520C	67/68; 4-Speed Transmission.....	53.95
M 15520E	69; 4-Speed Transmission.....	53.95
<b>M 15808</b>	<b>Auto Transmission Shift Light</b>	
M 15808A	67/68; Without Console.....	46.95
M 15808B	67/68; With Console.....	46.95
M 15808C	65/66.....	46.95

## Attaching Hardware for this Section

MHK 135	Screw Kit, Auto Shifter Housing; 65/68, (kit of 4).....	2.18
MHK 220A	Shifter Rebuild Kit, 64 1/2 3-speed, 65/66 4-speed.....	22.75
MHK 220B	Shifter Rebuild Kit, 65/68, 3-speed.....	27.32
MHK 293	Shift Plate Screws, 65/66.....	5.33
MSP 97474	Clip-Z-Bar Pivot, 67/70, Big Block.....	1.02
MSP 351517	Washer, 65/70, Flat Felt, Used w/Part 7528.....	Each 1.25
MSP 356590	Washer, Std. Shifter Bolt, 65/68.....	Each .40
MSP 358979	Felt Washer, 67/70, 390, 428 & 429; Use with Equalizer Bar Brackets Part No.'s 7507 & 7531.....	1.28
MSP 379818	Bolt, Standard Shift Lever, 65/68.....	Each 6.82
MSP 379998K	Bushings, Std. Shift Lever, 65/73, Set of 2.....	Set 5.68

## Typical Clutch & Clutch Release Mechanism



# COOLING SYSTEM & GRILLE

## Radiators

M 8115A  
Draincock



M 8005A  
Radiator



Our radiators are an easy replacement for your original that is rusted out, or maybe you just want increased cooling capacity for your everyday driving. See listing below for your particular application.

*Note: Four row radiators require a smaller spacer between the fan and the water pump.*

M 8005A	65/66; 6 Cylinder • 2-Row .....	359.95
M 8005B	65/66; 260, 289 • 2-Row .....	249.95
M 8005E	69/70; 250, 302, 351; Bolt-In Type; 20" wide Outlet On LH Side • 3-Row.....	238.31
M 8005F	67/69; 289, 302, 351; Bolt-In Type; 20" wide Outlet On RH Side • 2-Row .....	295.00
M 8005G	68/69; 390, 428 70; 302, 351, 428 Clamp-In Type; 24" Wide, LH Outlet • 3-Row....	375.00
M 8005I	71/72; 302, 351, 429 3-Row • 26" wide .....	275.00
M 8005J	71/72; 250, 302 2-Row • 21 3/4" wide .....	225.00
M 8005L	65/66; 260, 289 • 3-Row .....	225.50
M 8005P	65/66; 6 Cylinder • 4-Row Core, w/Std. Trans. ....	365.00
M 8005Q	65/66; 8 Cylinder • 4-Row Core, w/Std. Trans. ....	345.00
M 8005R	65/66; 6 Cylinder • 4-Row Core, w/Auto. Trans. ....	345.00
M 8005S	65/66; 8 Cylinder • 4-Row Core, w/Auto. Trans. ....	365.95
M 8005T	67/68; 6 Cylinder • 4-Row Core, w/Std. Trans. 20 Inches, Bolt-In .....	289.95
M 8005U	67/68; 8 Cylinder • 4-Row Core, w/Std. Trans. 20 Inches, Bolt-In.....	345.00
M 8005V	67/68; 6 Cylinder • 4-Row Core, w/Auto. Trans. 20 Inches, Bolt-In.....	345.00
M 8005W	67/68; 8 Cylinder • 4-Row Core, w/Auto. Trans. 20 Inches, Bolt-In.....	345.00

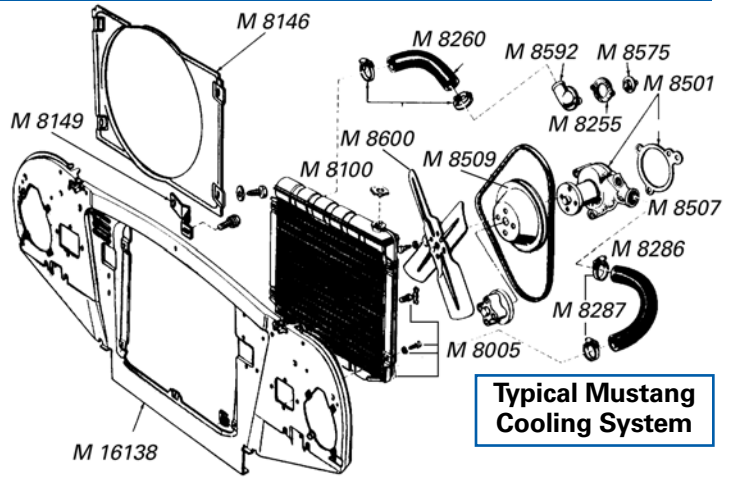
See Page 125 For Attaching Parts Kit MHK 149.

## Radiators Kits

Larry's is now stocking Northern, Muscle Car Radiator Kits. They include a aluminum radiator designed for maximum cooling (up to 75% more) ,a high volum fan shroud and installation instructions. These kits are not original in look, they however do fit and cool better than any original radiator.

M 8005AK	65/66; 6 Cylinder • Hose Tubes Are, Top RH, Bottom, LH .....	Kit	306.95
M 8005BK	65/66; V8 Auto Trans • Hose Tubes Are, Top RH, Bottom, RH.....	Kit	337.95
M 8005CK	65/66; V8 Std. Trans • Hose Tubes Are, Top RH, Bottom, RH.....	Kit	313.95
M 8005DK	67/70; 24" Clamp In Type (Clamps Are Not Included) Hose Tubes Are Top RH, Bottom, LH .....	Kit	399.95

M 8052	Radiator Lower Support Bracket		
M 8052A	67/70; (Except 428 CJ) Lower - Does Not Include Pads .....	Pair	40.35
M 8100	Radiator Cap		
M 8100C	65/73; 13 lb., Bright Finish .....		8.45



Typical Mustang  
Cooling System

### M 8115 Radiator or Cylinder Block Draincock

M 8115A	65/73 .....	4.35
---------	-------------	------

## Radiator Mounting Pads

<b>M 8124</b>	<b>Upper - Pad Set</b>		
M 8124A	67/70; Use With Clamp-In Radiators .....	Pair	10.05
M 8124B	71/73; 4 Piece Set .....	Set	19.95
<b>M 8125</b>	<b>Lower - Pad Set</b>		
M 8125A	67 .....	Pair	10.05
M 8125B	68/70 .....	Pair	10.05

*\*Note: These Pads are designed to be used with Clamp-In Style Radiators.*

M 8146K



### M 8146 Fan Shroud

M 8146A	65/66; 2/3 Row Radiator .....	35.29
M 8146C	67; 289 with A/C 69; 302, 351, with 20" Radiator .....	47.57
M 8146D	68; 289, 302, All 69; 302, 351, With 24" Radiator .....	69.95
M 8146E	70; 302, Boss 302, 351, with A/C, 24" radiator .....	89.95
M 8146F	70; 250, 302, 351, Without A/C, 20" radiator.....	79.95
M 8146G	65/66; more depth for extra cooling .....	84.95
M 8146H	71/73; 302 with A/C & 351 .....	89.95

### M 8146K Fan Shroud Kit

65/66, with 2 or 3-Row Radiator. Includes. mounting hdw. ....	42.79
--	-------

### M 8149 Radiator Fan Shroud Bracket

M 8149A	65/66; 2 or 3-Row Radiator; (4 Required).....	Each	2.41
M 8149B	65/66; 4-Row Radiator .....	Kit	15.66

M 8149A  
Bracket



M 8182A  
Bracket



### M 8182 Radiator Grille Bar Support

M 8182A	65; Without Fog Lamps .....	Pair	5.00
M 8182B	69; Center.....		65.00

### M 8190/1 Grille Panel

M 8190A	67/68; RH .....		24.95
M 8191A	67/68; LH.....		24.95

### M 8193 Radiator Upper Support Bracket

M 8193A	67/68; Upper - Does Not Include Pads.....		38.33
M 8193B	69/70; Upper - Does Not Include Pads .....		38.33

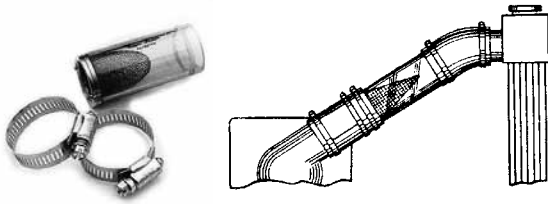
*\*Note: See Part #8124 For Mounting Pads.*

### M 8194 Radiator Grille Ornament Retainer

M 8194A	65 .....		10.02
---------	----------	--	-------

# COOLING SYSTEM & GRILLE

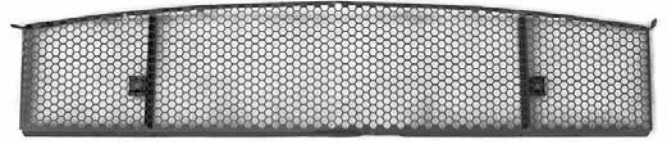
## A Filter for Your Cooling System



The Gano Filter® is a full-flow filter designed to be installed in your Mustang's upper radiator hose. Once installed, the filter prevents rust scale, rubber from hoses or other foreign particles from entering your radiator, thereby avoiding the necessity of repair or replacement. Its clear housing also allows you to monitor coolant levels, turbulence, bubbles, or other situations that may be detrimental to your vehicle's operation. And it's easy to install as well!

M 8288A	65/73; 6 Cylinder .....	37.95
M 8288B	65/73; 8 Cylinder .....	37.95

## Front Grille Assemblies



M 8200A Front Grille Assembly



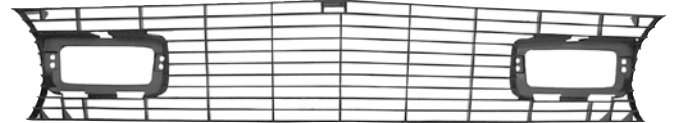
M 8200C Front Grille Assembly



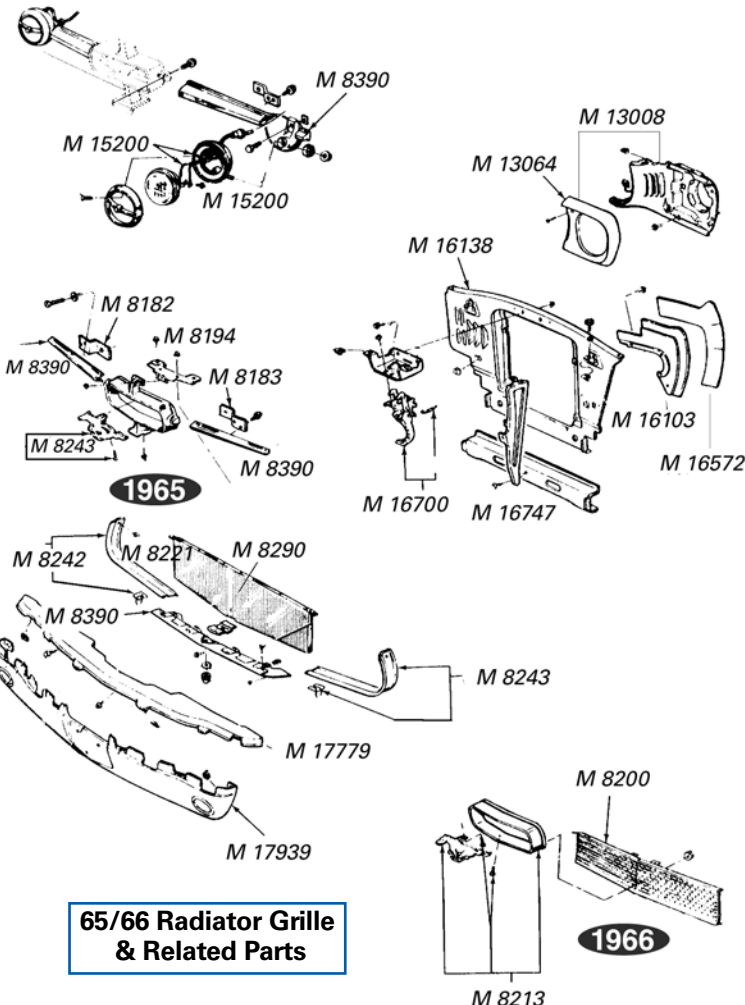
M 8200D Front Grille Assembly



M 8200L Front Grille Assembly



M 8200I Front Grille Assembly



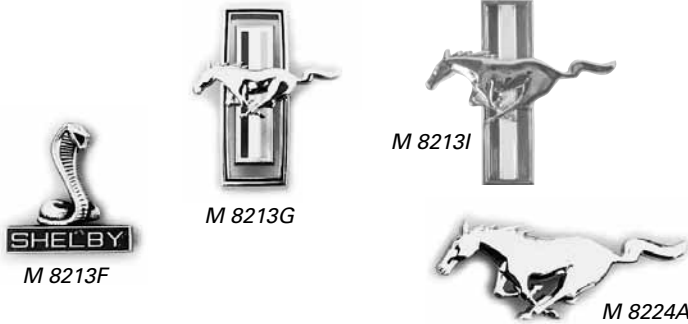
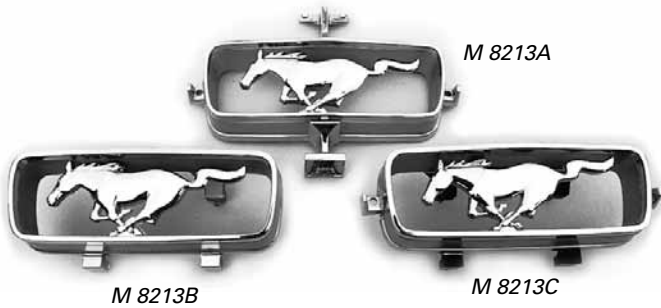
M 8200A	65; Without Fog Lamps (Shown Above).....	79.95
M 8200B	65; With Fog Lamps .....	79.95
M 8200C	66; (Shown Above) .....	99.50
M 8200D	67; (Shown Above) .....	75.50
M 8200E	68; Without Fog Lamps, GT/CS .....	115.00
M 8200F	69; Black Plastic.....	115.00
M 8200G	70; (Except Mach I) Without Sport Lamps.....	149.95
M 8200H	71/72; Standard Grille.....	325.17
M 8200I	70; Mach I, Use with Sport Lamps (black) .....	171.65
M 8200K	73; Standard, Black Plastic.....	191.85
M 8200L	73; Used W/O Mouldings Around Center Ornament.....	135.29

See Page 125 For Attaching Parts Kit MHK 152.

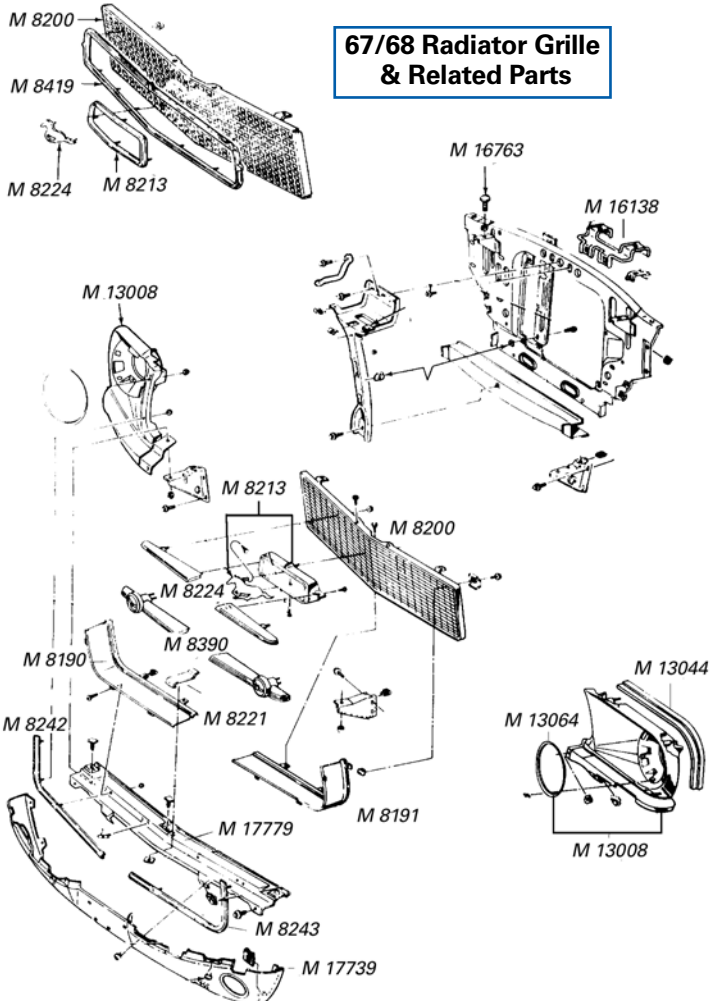
**Quantity Discounts  
on Your Purchases!**  
**5% On Orders Over \$500.00**  
**10% On Orders Over \$1000.00**

# COOLING SYSTEM & GRILLE

## Grille Ornaments



### 67/68 Radiator Grille & Related Parts



<b>M 8213</b>	<b>Grille Ornament</b>	
M 8213A	65; Running Mustang.....	95.00
M 8213B	66; Without Fog Lamps .....	90.85
M 8213C	66; With Fog Lamps.....	90.85
M 8213D	67 .....	145.00
M 8213E	Grille Horse Surround.....	38.95
M 8213F	69/70; GT350/500, 2" Snake & Plate, "Shelby" .....	19.95
M 8213G	70; All.....	28.79
M 8213I	71/73; Mach 1 .....	22.17
M 8213J	69 .....	34.29
M 8213K	73; Standard Grille Emblem .....	25.20
<i>See Page 125 For Attaching Parts Kit MHK 186.</i>		

<b>M 8221</b>	<b>Lower Grille Moulding Center Joint Cover</b>	
M 8221A	66 .....	10.50
M 8221B	67/68 .....	10.50

<b>M 8221</b>	<b>Radiator Grille Opening Panel</b>	
M 8221C	69; Lower.....	Each 55.50
M 8221D	70; (Except GT350/500), Lower.....	59.54

<b>M 8224</b>	<b>Grille Medallion</b>	
M 8224A	68; Running Horse.....	31.26
M 8224B	67; GT350, Used on grille, dash & deck lid; Reproduction • Metal .....	36.97

<b>M 8232</b>	<b>Grille Support</b>	
M 8232A	70; Center.....	69.95

<b>M 8242/3</b>	<b>Radiator Grille Moulding</b>	
M 8242A	65/66; RH .....	21.37
M 8243B	65/66; LH.....	21.37
M 8242C	67/68; RH .....	16.01
M 8243D	67/68; LH.....	16.01
M 8242E	69; RH, Panel.....	30.25
M 8242F	69; RH, Moulding.....	27.22
M 8243G	69; LH, Panel .....	30.25
M 8243H	69; LH, Moulding .....	27.22

<b>M 8255</b>	<b>Water Outlet (Thermostat Housing) Gasket</b>	
M 8255B	67/70, 390, 427 & 428 .....	1.31
M 8255C	69/73, 351 C, CJ & Special, 429 C, J, Boss 429.....	2.45
M 8255E	65/73; 170, 200, 250, 260, 289, 302, Boss 302 & 351W .....	4.25

<b>M 8260/86</b>	<b>Radiator Hoses - Upper &amp; Lower</b>	
M 8260A	65/66; 6 Cylinder, Upper.....	13.95
M 8286B	65/66; 6 Cylinder, Lower.....	17.72
M 8260C	65/66; 289, Upper.....	15.95
M 8286D	65/66; 289, Lower.....	18.75
M 8286F	65/66; 8 Cylinder, *Stamped Oval FoMoCo.....	Pair 36.75
M 8286G	65/70, 6 Cylinder; *Stamped Rectangular FoMoCo .....	Pair 36.75
M 8286H	67, 289; *Stamped Rectangular FoMoCo.....	Pair 32.95
M 8286I	68, 289; *Stamped Autolite.....	Pair 26.50
M 8286J	68/70; 302; *Stamped Autolite (Except Boss)..	Pair 26.50

\*Note: FoMoCo/Autolite Stamped Hoses Come In Upper/Lower Set Only.

## Original-Style Radiator Hose Clamp Kit



M 8287B	65/73; 6 Cylinder .....	Per Set 19.23
M 8287C	65/73; 8 Cylinder • Small Block.....	Per Set 19.23
M 8287D	67/73; 8 Cylinder • Big Block .....	Per Set 19.23

# COOLING SYSTEM & GRILLE

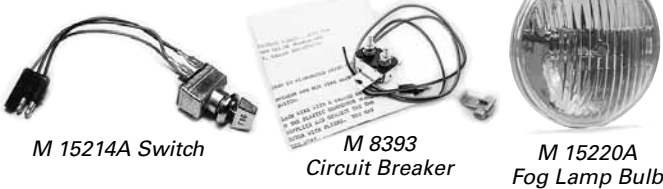
## GT Grille Bars & Lamps



M 8391B GT Grille Bar & Lamp Kit



M 8390G  
Grille Bars



M 15214A Switch

M 8393  
Circuit Breaker

M 15220A  
Fog Lamp Bulb

<b>M 8390</b>	<b>Radiator Grille Bar</b>		
M 8390A	66; GT, Fog Lamp Bars; Die-cast, RH & LH .....	Per Set	49.95
M 8390B	65/66; Lower .....		36.31
M 8390C	65; Standard Grille Bars .....	Per Set	50.45
M 8390E	67; Standard Grille Bars .....	Per Set	100.95
M 8390G	67; GT Fog Light Bars .....	Per Set	110.95
M 8390H	65; GT Fog Light Bars .....	Per Set	80.75
	See Page 125 For Attaching Parts Kit MHK 224.		
<b>M 8391</b>	<b>GT Grille Bars &amp; Lamps - Kit</b>		
M 8391B	66; Consists of: (1) Set of our own die-cast reproduction light bars #8390-A, and our own exact reproduction lamps #15200-A with bulbs and wire pigtails (2) .....	Per Set	115.00
M 8391C	67; Consists of: GT Fog Light Bars, Bulb, Bulb Housings, and Wire Pigtails .....	Per Set	166.60
M 8391D	65; Consists Of: (1) Set Fog Lamp Bars, Bulb Housings, Clear Bulbs & Bulb Pig Tails .....	Per Set	149.95
M 8392	Fog Lamp Wire Loom Assembly		
M 8392A	65/67; Consists of all the wires needed to install GT-Type Fog Lamps; Correct Grommet & Wire Color .....		46.95
	Note: Refer to #M 15214 (Listed Below) for Fog Lamp Switch. See Page 125 For Attaching Parts Kit MHK 244.		
<b>M 8393</b>	<b>Fog Lamp Wire &amp; Circuit Breaker</b>		
M 8393A	65/67; Feed Wire For Lights .....		10.05
<b>M 8394</b>	<b>Fog Lamp Bar Bracket</b>		
M 8394A	66; Mounts Behind Grille .....	Per Set	21.72
M 8394B	67; Mounts Behind Grille .....	Per Set	22.50
M 8394C	65 .....	Per Set	24.50
M 8394D	68 .....	Per Set	22.50
<b>M 9389</b>	<b>Fog Lamp Switch Bezel Nut</b>		
M 9389A	65/67; Fog Lamp Switch		
	67/68; Used With Speed Control .....		5.91
<b>M 15200</b>	<b>Fog Lamp Housing with Wire</b>		
M 15200C	65/67; Reproduction of Original .....	Each	35.95
M 15200D	68; Exact Reproduction .....		36.31
<b>M 15214</b>	<b>Fog Lamp Switch Assembly</b>		
M 15214A	65/67; Includes Knob & Nut .....		32.08
M 15214B	68; Includes Knob, Bezel & Bracket .....		50.25
<b>M 15220</b>	<b>Fog Lamp Bulb</b>		
M 15220A	Clear .....	Each	17.25
M 15220B	Amber .....	Each	15.25

<b>M 8419</b>	<b>Radiator Grille Moulding</b>		
M 8419A	68; Outer .....		141.35
M 8419B	69; Center .....		18.16
M 8419C	73; Grille Corral .....		57.52
M 8419D	71/72; Grille Center Moulding .....		28.79
M 8419E	71/72; Top .....		25.00
M 8419F	71/72; Bottom .....		25.00
M 8419G	71/72; Side RH .....		25.00
M 8419H	71/72; Side LH .....		25.00

## Water Pumps

M 8501A	64 1/2-65; 260, 289, Aluminum .....	89.95
M 8501B	66/69; V8 Small Block, Cast Iron .....	59.95
M 8501C	65/70; 170, 200 .....	52.82
M 8501D	71/73; 250 .....	61.95
M 8501E	70/73; 302; 70, 351W .....	62.95
M 8501F	70/73; 351 C .....	65.00

## M 8507 Water Pump Mounting Gasket

M 8507A	65/70; 170, 200; 4 holes .....	1.97	
M 8507B	69/73; 250 .....	1.97	
M 8507C	66/69; 289, 302, 351W, for cast iron pump .....	1.97	
M 8507D	67/71; 390, 427, 428 .....	1.97	
M 8507F	69/73; 429 .....	4.59	
M 8509	Water Pump Pulley		
M 8509B	65; 6 Cylinder (1) Groove .....	52.47	
M 8509C	65/69; 289, 302, 351, (2) Groove .....	Each	70.65
M 8509D	65/68; (1) Groove .....	Each	57.52
M 8509E	65/69; 289, 302, 351, (2) Groove, 5 3/4" OD Silver .....	Each	70.65

## M 8555 Water By-Pass Tube

M 8555A	65/67; 289; 65/70; 390, 427, 428; 69; 250, 302, 351, Boss 429; 70/73; 351 W or C, 351 CJ, 351 Spec; 71; 429 CJ, 429 S/CJ .....	5.56
---------	--	------

## M 8575 Water Thermostat

M 8575A	65/73; All, 190° .....	5.25
M 8575B	65/73; 160° .....	5.25
M 8575C	65/73; All, 180° .....	5.25

## M 8592 Thermostat Housing

M 8592A	65/69; 170, 200 .....	18.50
M 8592B	65/70; 260, 289, 302, 351W, From 3/1/65; 71/73; 302 .....	24.95
M 8592C	67; 390, 427, 428, Before 12/1/66, Marked C5AE-8594-A .....	26.95
M 8592D	67/70; 390, 427, 428, From 12/1/66, Marked C8AE-8594-B .....	46.50
M 8592E	69/73; 6 Cylinder, 250 .....	17.50
M 8592F	69; Boss 429; 71/72, 429 CJ, S/CJ .....	14.09
M 8592G	70/73; 351C, All .....	14.95
M 8592H	65/67; Small Block (Original Style) .....	20.15
M 8592J	65/70; 289, 302, 315W, 90 Degree Chrome .....	19.33
<b>M 8597</b>	<b>Water By-Pass Hose</b>	
M 8597A	65/66; FoMoCo Script .....	5.25
M 8597B	67/71; Autolite Script .....	5.25
M 8597C	65/69; 260, 289, 302, Motorcraft Script .....	7.95

## M 8600 Fan Blade

M 8600A	65/69; 6 Cyl., 4 Blade .....	60.45
M 8600C	65/73; All, 8 Cyl., not to be used with A/C clutch .....	54.95
M 8616	Fan Clutch Assembly	
M 8616A	65/67; 260, 289, w/A/C .....	59.95

## M 8652 Idler Pulley Bracket Spacer

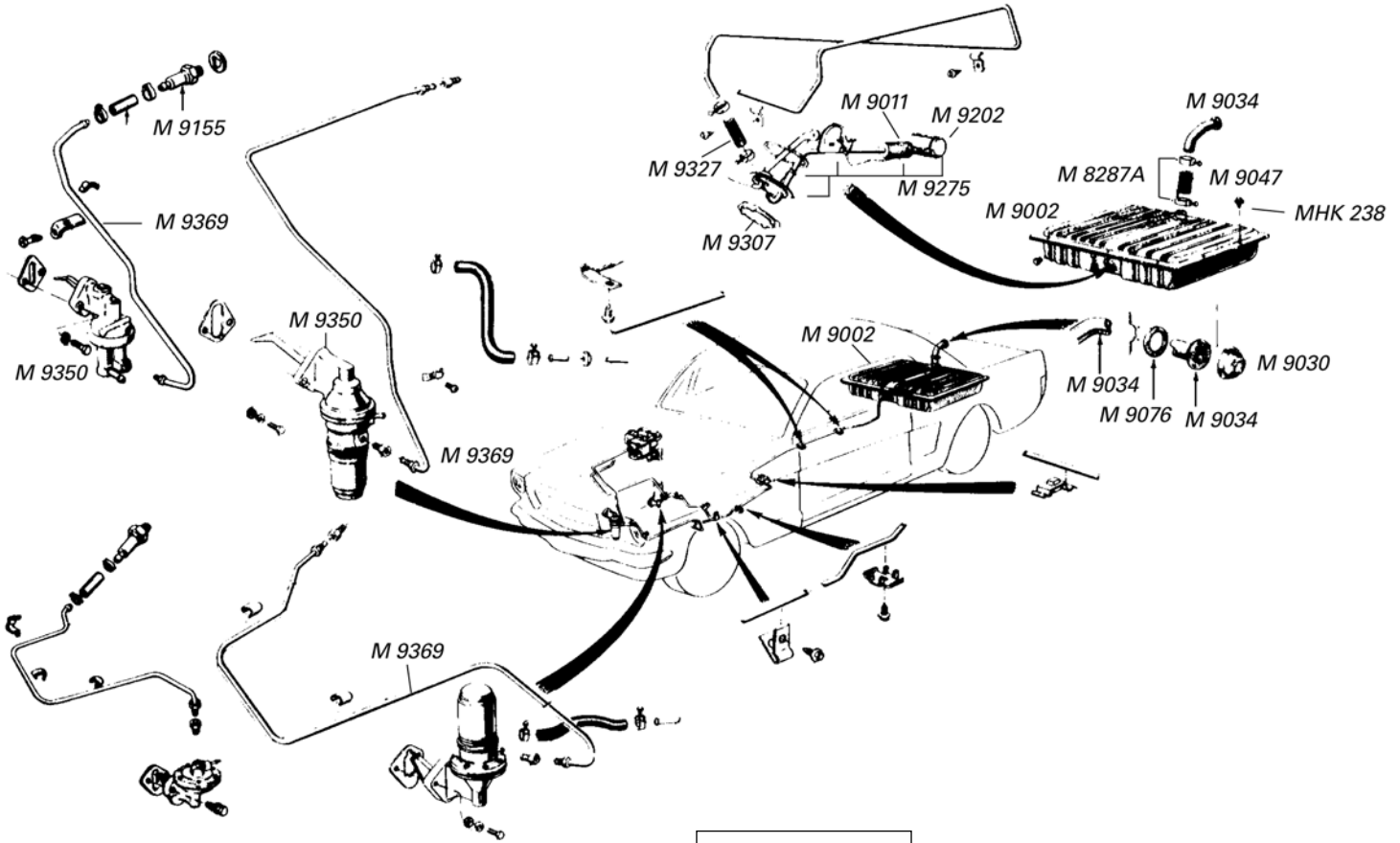
M 8652A	71; 429 CJ; 72, 302, 351 & 429 •Cut to fit .....	29.23
---------	--	-------

## Attaching Hardware for this Section

MHK 149	Radiator U-Nut & Bolt Kit, 65/68 (Kit of 4 each) .....	6.62
MHK 152	Screw & Nut Kit, Grille Mount, 65/66, (Kit of 8 ea) .....	6.62
MHK 186	Nut Kit, Grille Horse Corral, 6665/66, (Kit of 4) .....	1.99
MHK 224	Screw Kit, Grille Bar Mounting, 65, (Kit of 6) .....	3.08



# FUEL & CARBURETOR SYSTEM



**M 8287 Gas Tank Filler Hose Kit - Original Type**  
 M 8287A 65/70.....Per Set of 2 10.95



## Fuel Tanks



## Fuel Tank Kit

Our Kits include the gas tank, fuel sender & lock ring, gasket, filler pipe & Hose, clamps and hardware

M 9002	Fuel Tank Kits		
M 9002AK	65/66; 16 Gallon .....	Kit	205.99
M 9002BK	67/68; 16 Gallon .....	Kit	205.99
M 9002CK	69; 20 (Not Low Fuel Type) .....	Kit	205.99
M 9002DK	70; 22 Gallon (Not Low Fuel Type or EVM Type) .....	Kit	210.99
M 9002EK	71/73; 18 Gallon Small Block (Fill Pipe Not Included) .....	Kit	229.99

Our Fuel Tanks are manufactured from the highest-quality materials and are designed to drop right into place at the factory mounting points. For replacement hardware see our Hardware section for MHK 238.

M 9002	Fuel Tank Assembly		
M 9002A	65/68; 16 Gallon .....	123.57	
M 9002B	69; 20 Gallon .....	112.06	
M 9002C	70; 22 Gallon, without EV/EM .....	117.11	
M 9002D	71/73; 18 Gallon Capacity .....	159.95	

See Page 125 For Attaching Parts Kit MHK 238.

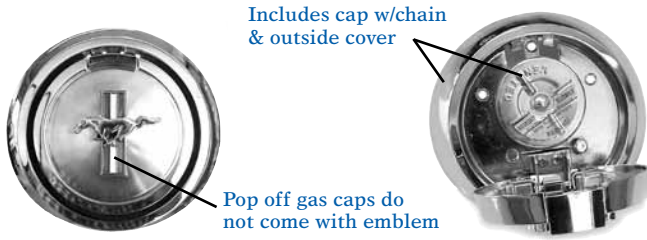
M 9008	Fuel Tank Filler Pipe Seal		
M 9008A	71/73; Filler Pipe To Trunk Floor .....	20.15	

M 9011	Fuel Sender Filter		
M 9011A	65/73; 3/8" .....	5.05	
M 9011B	65/73; 5/16" .....	5.05	

# FUEL & CARBURETOR SYSTEM

## Now Available!

'69 Mach I Pop-Off Gas Cap  
See listing below



Includes cap w/chain  
& outside cover

Pop off gas caps do  
not come with emblem

## Gas Caps

Our Reproduction Gas Caps represent the finest available. Each cap is hand-assembled with complete attention to detail and feature the highest quality materials and workmanship.

M 9030A	65; With wire bail; Exact reproduction of the original .....	58.95
M 9030B	66; "GT"; Exact reproduction of the original ...	59.95
M 9030C	66; Standard Cap with "horse" mark, Exact Reproduction! .....	54.95
M 9030D	67; Standard Gas Cap, Exact Reproduction!....	54.95
M 9030E	67/68; Pop Off Style, Less Emblem .....	89.95
M 9030F	66; Shelby GT350, Exact Reproduction!.....	65.55
M 9030G	68; Standard Gas Cap, with horse, Exact Reproduction! .....	59.95
M 9030H	69; Mach 1, Pop Off Style, Less Emblem .....	89.95
M 9030J	65/69 & 70 (exc. Mach I), 70; Without emissions Note: This is a '69 Mustang-type gas cap replacement .....	59.95
M 9030K	70; Pop Off Style, Less Emblem .....	89.95
M 9030M	71/73; (exc. Mach 1) Mustang Emblem .....	59.95
M 9030N	65/70; Locking Gas Cap (Will Not Fit GT's With Pop-Off Type Cap, 70's With Emissions, Shelbys Or Mach I) .....	69.95
M 9030O	67; GT Type, Non Pop-Off .....	59.95
M 9030P	71/73; Mach 1, Pop-Off .....	99.95



M 9030A



M 9030B



M 9030C



M 9030D



M 9030F



M 9030G



M 9030J



M 9030M



M 9030N



M 9030E



M 9030H



M 9030K



M 9030P

## Gas Cap Inserts

Sold Only With The Gas Cap  
M 9030E, H & K



M 9031E



M 9031F



M 9031G



M 9031H

M 9031	Fuel Cap Insert Emblem	
M 9031E	67; GT, Black .....	17.95
M 9031F	68/69; GT Red .....	17.95

M 9031G	68; Horse & Corral .....	17.95
M 9031H	69/70; Horse With Stripes .....	17.95

# FUEL & CARBURETOR SYSTEM



M 9034A

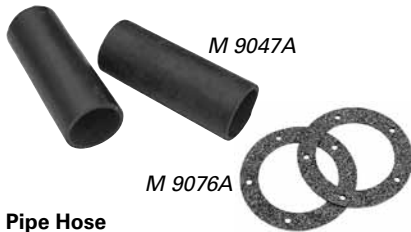
<b>M 9034</b>	<b>Fuel Tank Filler Pipe Assembly</b>	
M 9034A	65/66	29.95
M 9034B	67/68	29.95
M 9034C	69	29.95
M 9034D	70	36.31

See Page 125 For Attaching Parts Kit MHK 290.

## Gas tank to Filler Pipe Seal

<b>M 9072</b>	<b>Gas Tank to Filler Pipe Seal</b>	
M 9072A	71/73	15.10

## Fuel Tank Filler Pipe Hose



<b>M 9047</b>	<b>Fuel Tank to Filler Pipe Hose</b>	
M 9047A	65/70	10.66
<b>M 9076</b>	<b>Fuel Tank Filler Pipe to Rear Panel Gasket</b>	
M 9076A	65/71	Each 1.88

## Fuel Filter

M 9155A



<b>M 9155</b>	<b>Gas Filter (Screws into carburetor)</b>	
M 9155A	66/67; 289	6.85
M 9155B	67; 390-Holley 4/B carb	
	68; 427-4/B carb	
	69; CJ, 428, 4/B carb	
	69/71; Boss 302	
	69; 429 Boss before 6/1/69	
	70; 428 CJ	6.00
M 9155C	66/68; 170, 200	
	67/68; 289, 302, 390	
	69; 390-4/B	
	70; 250, 302-2/B, 351-2/B & 4/B	
	72; 250, 302, 351	7.85

Note: See Part #M 9365 for Filter Inside Fuel Pump.

<b>M 9202</b>	<b>Fuel Sender Float</b>	
M 9202A	65/73	8.35

## Fuel Tank Sender Gauge



M 9275A

<b>M 9275</b>	<b>Fuel Tank Sender Gauge Assembly</b>	
M 9275A	65/68; Without low fuel warning system	39.95
M 9275B	69; Without low fuel warning system	36.31
M 9275C	70; Without low fuel warning system	36.31
M 9275D	71/73; With 250, 302, 351	36.31

<b>M 9276</b>	<b>Fuel Tank Sender Unit Gasket</b>	
M 9276A	65/72	.96
<b>M 9288</b>	<b>Fuel Line Side Apron Grommet</b>	
M 9288A	65/67 (early '67)	1.10
M 9288B	67/70 (late '67)	1.01
M 9288C	71/73 (3 required)	Each 1.46

## Fuel Gauge



M 9350A

<b>M 9305</b>	<b>Fuel Gauge</b>	
M 9305A	65	79.74
M 9305B	66 and 65 With Guages	79.74
M 9305D	68;	64.00
M 9305E	69; Black Face	64.00
M 9305F	70; Grey Face	64.00
M 9305G	68; Fuel & Alternator Set	129.00
M 9305H	69; Fuel & Alternator Set, Black Face	129.00
M 9305J	70; Fuel & Alternator Set, Grey Face	129.00
<b>M 9307</b>	<b>Fuel Tank Sender Unit Lock Ring</b>	
M 9307A	65/72	4.55
<b>M 9319</b>	<b>Fuel Line Pump to Carburetor Bracket</b>	
M 9319A	65; Zinc plated	14.09
M 9319B	66; Natural steel	14.65
<b>M 9327</b>	<b>Fuel Sender to Fuel Line Hose Kit</b>	
M 9327K	65/73; Includes Clamps	3.16

## Fuel Pump Assembly



M 9350A

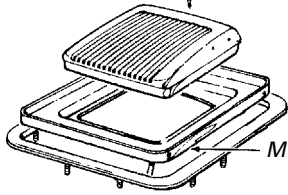
M 9350A	65; 260, 289	58.95
M 9350B	66/67; 289 (except Special)	39.95
M 9350C	68; 289, 2 Bbl., 302	
	69; 302, 351	
	70/73; 302 2 bl.	29.95
M 9350D	68; 390 2 Bbl.	
	69; 390	30.25
M 9350E	70; 351C	
	71/73; 351	39.95
M 9350F	65; 6 Cylinder	
	66/67; 6 Cylinder	
	w/Air Cond. & Smog Pump	46.50

*Big Selection of Parts! Whether it's a hard to find part or a standard Thunderbird replacement part, Larry's has what you're looking for. Our inventory of parts is concours-quality. Give us a call if you can't find the parts you need. Our knowledgeable parts specialists will be happy to help!*

# FUEL & CARBURETOR SYSTEM

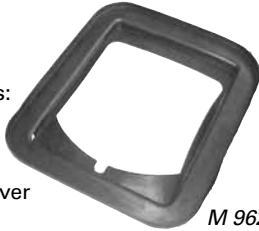
## Air Cleaner & Elements

### Ram Air Filter System



Assembly Includes:

- Scoop • Seal
- Filter Housing
- Filter Element
- Chrome Filter Cover



M 9624A Seal



M 9600S



M 9600P



M 9600L



M 9600Q



M 9600B



M 9600C

### Air Cleaner Assembly

M 9600B	65/66; 289 Hi-Performance; This is our own exact reproduction of the HiPo Air Cleaner and it is correct in every way! Not an after-market replacement. Also fits all low-profile 2B & 4B carburetors. Smog tube may be plugged for cars with open systems ..	29.95
M 9600C	65/73; 289 Hi-Performance type; Aftermarket reproduction. Fits all low-profile 2B & 4B carburetors.....	19.95
M 9600D	65/73; Cobra Oval Air Cleaner, 8 Cylinder, With Holly Carb., Single 4 bbl .....	121.15
M 9600E	65/73; Cobra Oval Air Cleaner, 8 Cylinder, With Holly Carb., Dual 4 bbl .....	149.95
M 9600G	65/66; 6 Cylinder .....	79.95
M 9600H	65/66; 6 Cylinder (California only).....	79.95
M 9600I	65/66; 8 Cylinder, w/snorkle.....	195.00
M 9600J	67; 6 Cylinder .....	79.95
M 9600L	65/73; Mustang Logo Oval Air Cleaner, 8 Cylinder, 4 Barrel Carb. ....	121.15

M 9600P	65/73; Polished Aluminum, Washable Air Filter, Ford Racing Logo .....	127.21
M 9600Q	71/73; V8, w/Snout .....	265.95

See Page 120 For Attaching Parts Kits MHK 88 & 89.

### Shaker Air Cleaner Assembly

M 9600S	69/70.....	Each	575.00
---------	------------	------	--------

### Air Cleaner Elements

M 9601A	65/67, 289 Special; Used with both M 9600B & M 9600C Air Cleaner Assemblies .....	8.79
M 9601B	Used with die-cast Cobra, Shelby, or Ford oval air cleaner assembly; 20-76" long, 9.26" side, 1.34" tall .....	29.95
M 9601D	65/67; 6 Cylinder .....	10.45
M 9601E	65/67; 289, Std. Filter used w/original air cleaner.....	10.45

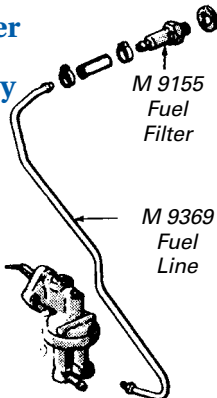
### Air Cleaner to Hood Seal

M 9624A	69/70; Fits Shaker Air Cleaner.....	Each	55.50
M 9624B	69; Boss 429 .....	Each	143.37
M 9624C	71/73; Ram Air .....	Each	76.71

### Fuel Filter & Line Assembly



M 9365A Fuel Filter



M 9155 Fuel Filter

M 9369 Fuel Line

M 9350 Fuel Pump

M 9365	Gas Filter Element Assembly	
M 9365A	65; Canister Type, Inside Fuel Pump .....	7.95

Note: Also See Part No. M 9155.

M 9369	Pump to Carburetor Fuel Line	
M 9369A	65; 289 .....	18.95
M 9369B	66/67; 289 .....	20.15
M 9369C	64/65; 170, 6 Cylinder .....	18.75
M 9369D	66/68; 200, 6 Cylinder .....	21.95

See Page 125 For Attaching Parts Kit MHK 221.

MHK 60	Clip Kit, Brake & Fuel Line, 65/67 (1) pc. 5/16" Fuel Line, 21 pcs.....	21.15
MHK 61	Clip Kit, Brake & Fuel Line, 67/70 (2) pc. 3/8" Fuel Line, 26 pcs.....	21.15
MHK 62	Clip Kit, Brake & Fuel Line, 67/70 (2) pc. 5/16" Fuel Line, 26 pcs.....	21.15

### Carburetor Spacer

M 9589A	65/68; 6 Cylinder .....	75.70	
M 9589B	68/69; 428 CJ .....	50.25	
M 9589E	70; Boss 302 .....	32.07	
M 9589F	69; 390 .....	30.25	
M 9589G	65/69; 4 BBL, 289/302.....	Each	45.40

## Quantity Discounts!

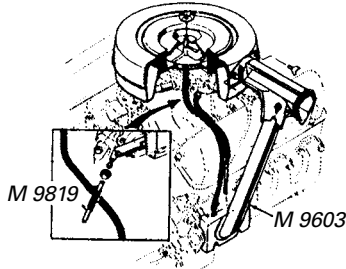
5% On Orders Over \$500.00

10% On Orders Over \$1000.00

# FUEL & CARBURETOR SYSTEM

## Hot Air Pre-Heat Tube Assembly

- M 9603A 65/67; 260 & 289, From Exhaust Man. to Air Cleaner Snorkel..... 68.23
- M 9603B 68/73; 8 Cylinder..... 68.23



**Choke Control Tube Assembly**

- M 9624 Carburetor Air Cleaner to Hood Seal**  
M 9624A 69/70; 428 CJ w/Ram Air 69; 351, 390 w/Ram Air 70; 351, w/2 bbl. Carb..... 55.50
- M 9654 Carburetor to Air Cleaner Gasket**  
M 9654A 65/73; All, 8 Cylinder ..... 2.09
- M 9673 Carburetor to Air Cleaner Gasket**  
M 9673A 65/67 (except '67 390 V8); Cut to fit..... 6.38  
M 9673B 68/73 & 1967 390 V8; Cut to fit..... 6.38  
M 9673C 65/73; 6 Cylinder, Cut to fit..... 5.96
- M 9700 Choke Cable & Housing • Hi-Po**  
M 9700A 65/66; Hi-Po Only ..... 60.55
- M 9702 Throttle Rod Replacement Kit**  
M 9702A 65/67; 8 Cylinder 260, 289. Kit Consists Of: (1) Throttle Rod, & Part #9703-A Throttle Rod Bushing Kit..... 18.50  
M 9702B 65/67; 260, 289, 8 Cylinder. • Rod Only ..... 9.95
- M 9703 Throttle Rod Bushing Kit**  
M 9703A 65/69, 8 cyl. 260, 289, 390; Kit Consists Of: (1) Rubber Insulator, (1) Nylon Bushing, (1) Nylon Washer & (1) Cotter Pin ..... 6.95

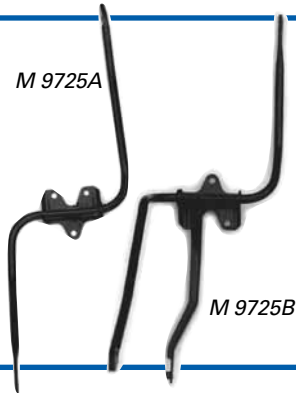
- M 9737 Accelerator Retracting Spring**  
M 9737A 65/68; 260, 289, 302, 390 ..... 4.29
- M 9741 Accelerator Linkage Spring Bracket**  
M 9741A 64 1/2 to 68; 4 BBL. .... 7.95  
M 9741B 64/68; 2 BBL. .... 5.85
- M 9758 Accelerator Cable**  
M 9758A 69 ..... Each 32.27  
M 9758B 70; 23 1/4 Long..... Each 32.27  
M 9758C 71/72; 23 1/2 Long..... Each 32.27  
M 9758D 73; 23 3/4 Long..... Each 32.27
- M 9760 Accelerator Pedal Spring**  
M 9760A 65/68; (Before 4/25/68)..... 2.27  
M 9760B 69/70; (After 4/25/68) ..... 3.75
- M 9784 Accelerator Linkage Rod**  
M 9784A 65/66; 6 CYL. .... 27.22  
M 9784B 67/68; 6 CYL. .... 21.50
- M 9793 Accelerator Pedal Rod Seal**  
M 9793A 65/66 ..... 1.25  
M 9793B 67/68 ..... 1.75

## Choke Tube & Clean Air Tube Set

- M 9819A 64/68; 260, 289, 302; 2 or 4 Barrel Carbs 69/73; 302 2 Barrel Carb .....Set 22.45
- M 9819B 65/68; 200 6 Cylinder - Choke Tube Only ..... 14.85
- M 9819C 67/68; 390.....Set 25.15
- M 9819D 69/70; 200 6 Cylinder - Choke Tube Only ..... 13.25
- M 9819E 69/70; 351 Windsor .....Set 25.20
- M 9819F 69/70; 351 Cleveland.....Set 19.95

## Accelerator Linkage

- M 9725A 65/68; Std. Trans. ....60.55
- M 9725B 66/68; Auto. Trans. ....67.62



## Accelerator Pedal

- M 9735A 65/68; (Before 4/25/68)..... 10.12
- M 9735B 69/70; Moulded Plastic..... 13.48
- M 9735C 71/73; Black Plastic ..... 15.66
- M 9735K Complete Kit 65/68; (Before 4/25/68) Kit Includes: Pedal, Screw, Clip & Spring ..... 12.07
- MSP 380503 Screw - Gas Pedal ..... 4.02
- MSP 350786 Clip - Gas Pedal Screw ..... .96



## Attaching Hardware for this Section

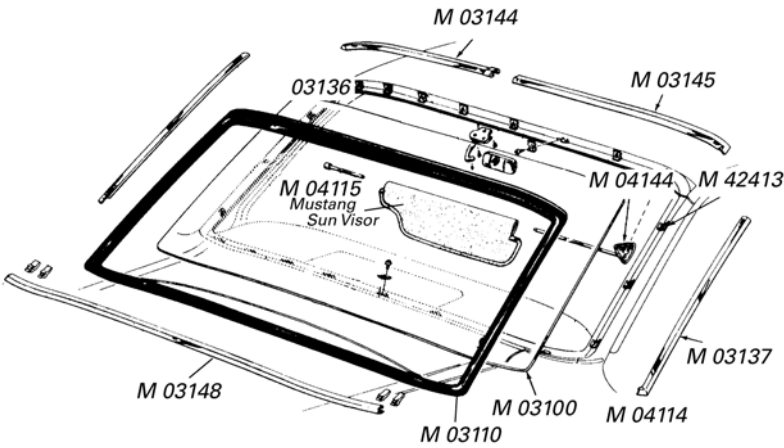
- MHK 88 Wing Nut, Air Cleaner, 65/68, 6 Cylinder ..... Each 1.93
- MHK 89 Nut, 289 Air Cleaner to Carburetor, 65/68 ..... 1.93
- MHK 221 Clamp Kit, Fuel Line Hose, 65/73, (Set of 2) .. 1.93
- MHK 222 Clamp Kit, for hose from oil cap to air cleaner 65/66, (Set of 2).....Set 1.80
- MHK 238 Screw Kit, Fuel Tank Mounting, 65/68 (Kit of 13) ..... 9.19
- MHK 238A Screw Kit, Gas Tank Mounting, 67/68 (Kit of 15) ..... 8.95
- MHK 238B Screw Kit, Gas Tank Mounting, 69/70 (Kit of 11)..... 6.31
- MHK 238C Screw Kit, Gas Tank Mounting, 71/74 (Kit of 4) ..... 5.30
- MHK 290 Screw Kit, Fuel Tank Filler Pipe, 65/68..... 2.76
- MSP 350786 Clip, Gas Pedal Bolt, 65/68..... Each .96
- MSP 380503 Screw, Gas Pedal, 65/70..... Each 4.02



*Dedicated to Excellence*

# WINDSHIELD, WINDWINGS & VISORS

## Typical Windshield Assembly



Note: See also part #M 03149AK or BK for Moulding Kits for 1969 and '70 Mustangs

### M 02626/7 Windshield Pillar Weatherstrip

M 02626A 65/68; RH, (Convertible) .....	10.05
M 02627A 65/68; LH, (Convertible).....	10.05
M 02626B 69/70; RH, (Convertible) .....	126.25
M 02627B 69/70; LH, (Convertible).....	126.25
M 02626C 71/73; (Convertible), RH .....	40.35
M 02627C 71/73; (Convertible), LH.....	40.35



### M 03100 Windshield\*

M 03100A 65/68; Windshield Clear .....	205.00
M 03100B 65/68; Shaded .....	205.00
M 03100D 69/70; (Fastback), Shaded .....	225.00
M 03100F 69/70; (Coupe, Convertible), Shaded .....	225.00
M 03100G 71/73; (Fastback), Shaded .....	295.00
M 03100I 71/73; (Coupe, Convertible), Shaded .....	275.00

See Page 125 for Attaching Parts Kits MHK 53A & MHK 180.

\*Note: This item must be shipped by truck Freight Collect.



### Product Licensing

Larry's Thunderbird & Mustang Parts manufactures, sells and distributes a number of official Ford-Licensed & Approved parts and accessories. The logo shown above identifies these officially licensed products and our commitment to offering only the finest products available for your vehicle.

<b>M 03110 Windshield Weatherstrip</b>	
M 03110A 65/68 .....	21.37
<b>M 03136/7 Windshield Moulding • Outside - Side</b>	
M 03136A 65/68; RH, (Coupe, Fastback) .....	18.13
M 03137A 65/68; LH, (Coupe, Fastback) .....	18.13
<b>M 03144/5 Windshield Moulding • Outside - Top</b>	
M 03144A 65/68; (Coupe, Fastback), RH .....	20.15
M 03145A 65/68; (Coupe, Fastback), LH .....	20.15
<b>M 03148 Front Windshield Moulding • Lower Outside</b>	
M 03148A 65/68 .....	38.33
<b>M 03149 Front Windshield Moulding Kit</b>	
M 03149AK 69/70; Coupe, (5-piece kit) .....	Kit 135.00
M 03149BK 69/70; Fastback, (4-piece kit).....	Kit 135.00
M 03149CK 71/73; Fastback, (3-piece kit).....	Kit 135.00

## Windshield Pillar Pad



M 03598A 67/68; RH, Blue .....	Each	35.00
M 03599A 67/68; LH, Blue .....	Each	35.00
M 03598B 67/68; RH, Red .....	Each	35.00
M 03599B 67/68; LH, Red.....	Each	35.00
M 03598C 67/68; RH, Black.....	Each	35.00
M 03599C 67/68; LH, Black .....	Each	35.00
M 03598D 67/68; RH, Ivy Gold .....	Each	35.00
M 03599D 67/68; LH, Ivy Gold.....	Each	35.00
M 03598E 67/68; RH, Parchment .....	Each	35.00
M 03599E 67/68; LH, Parchment.....	Each	35.00

## Windshield Pillar Moulding

M 03599G 65/68; Convertible, Chrome .....	Pair	84.79
---	------	-------

## Windshield Inside Header Moulding



<b>M 03606 Windshield Inside Header Moulding</b>	
M 03606A 64/67; Convertible .....	50.45
M 03606B 68 .....	Each 50.45

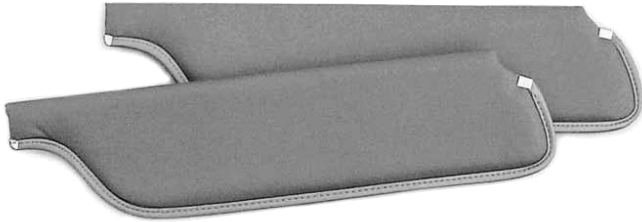
### M 42413 Outside Moulding Retainer

M 42413A 66/73 .....	Each	.59
M 42413B 65 .....	Each	.59
M 42413C 67; Rear Upper (9 Required) .....	Each	.59

## Attaching Hardware for this Section

MHK 52 Screw Kit, Dash Trim & Pillar, 65/66, (Kit of 8) ..	3.66
MHK 53 Screw Kit, Visor & Mirror Brkt, 65/66 (Kit of 9) ..	4.37
MHK 53A Screw Kit, Conv. Windshield, Upper, 65/66 (Kit of 9) .....	4.37

## Original-Style Sun Visors & Related Parts



Each Original-Style Sun Visor is hand-crafted to original specifications, with completely detailed seams and stitching. Available in colors to match your Mustang's interior.

MSV 65BK	65/66	Coupe	Black.....	Pair	54.95
MSV 65IG	65/66	Coupe	Ivy Gold .....	Pair	54.95
MSV 65LTBU	65/66	Coupe	Light Blue .....	Pair	54.95
MSV 65LTGN	65/66	Coupe	Light Green .....	Pair	54.95
MSV 65MDBU	65/66	Coupe	Med. Blue .....	Pair	54.95
MSV 65PT	65/66	Coupe	Parchment .....	Pair	54.95
MSV 65RD	65/66	Coupe	Red.....	Pair	54.95
MSV 65SD	65/66	Coupe	Saddle.....	Pair	54.95
MSV 65WT	65/66	Coupe	White .....	Pair	54.95
MSV 65MN	65/66	Coupe	Maroon.....	Pair	54.95
MSV 67AQ	67/68	Coupe	Aqua .....	Pair	54.95
MSV 67BK	67/68	Coupe	Black.....	Pair	54.95
MSV 67IG	67/68	Coupe	Ivy Gold .....	Pair	54.95
MSV 67LTBU	67/68	Coupe	Light Blue .....	Pair	54.95
MSV 67MN	67/68	Coupe	Maroon.....	Pair	54.95
MSV 67PT	67/68	Coupe	Parchment .....	Pair	54.95
MSV 67SD	67/68	Coupe	Saddle.....	Pair	54.95
MSV 67WT	67/68	Coupe	White .....	Pair	54.95
MSV 69BK	69/70	Coupe	Black.....	Pair	54.95
MSV 69BU	69/70	Coupe	Blue.....	Pair	54.95
MSV 69DKGN	69/70	Coupe	Dark Green .....	Pair	54.95
MSV 69RD	69/70	Coupe	Red.....	Pair	54.95
MSV 69WT	69/70	Coupe	White .....	Pair	54.95
MSV 71BK	71/73	Coupe	Black.....	Pair	54.95
MSV 71RD	71/73	Coupe	Red.....	Pair	54.95
MSV 71WT	71/73	Coupe	White .....	Pair	54.95
MSVC 65BK	65/66	Conv.	Black.....	Pair	54.95
MSVC 65DKBU	65	Conv.	Dark Blue .....	Pair	54.95
MSVC 65EG	65	Conv.	Emberglo.....	Pair	54.95
MSVC 65IG	65	Conv.	Ivy Gold .....	Pair	54.95
MSVC 65LTAQ	65/66	Conv.	Light Aqua.....	Pair	54.95
MSVC 65PO	65	Conv.	Palomino .....	Pair	54.95
MSVC 65WT	65/66	Conv.	White .....	Pair	54.95
MSVC 66LTBU	66	Conv.	Light Blue .....	Pair	54.95
MSVC 66MN	66	Conv.	Maroon.....	Pair	54.95
MSVC 66PT	66	Conv.	Parchment .....	Pair	54.95
MSVC 67AQ	67	Conv.	Aqua .....	Pair	54.95
MSVC 67BK	67/68	Conv.	Black.....	Pair	54.95
MSVC 67BU	67/68	Conv.	Blue.....	Pair	54.95
MSVC 67IG	67/68	Conv.	Ivy Gold .....	Pair	54.95
MSVC 67MN	67/68	Conv.	Maroon.....	Pair	54.95
MSVC 67NG	68	Conv.	Nugget Gold .....	Pair	54.95
MSVC 67PT	67/68	Conv.	Parchment .....	Pair	54.95
MSVC 67SD	67/68	Conv.	Saddle.....	Pair	54.95
MSVC 69BK	69/73	Conv.	Black.....	Pair	54.95
MSVC 69WT	69/73	Conv.	White .....	Pair	54.95

M 04114B Pin



M 04115Tip

<b>M 04114</b>	<b>Visor Anchor Pin</b>		
M 04114B	70/73.....	Each	5.71
<b>M 04114</b>	<b>Sun Visor Rod Kit</b>		
M 04114C	65/66, Convertible Visor Rod Kit; 4 pieces .....	14.09	
<i>Note: Does Not Include Part Number M 04115A Rubber Tip.</i>			
<b>M 04115</b>	<b>Visor Pin Rubber Tip</b>		
M 04115A	64 1/2.....	Each	.75
M 04115B	65/73.....	Each	.99
<b>M 04132</b>	<b>Visor Rod Bracket</b>		
M 04132A	68/70; Center, Black.....	Each	20.15

## Convertible Top Visor Bracket



<b>M 04144</b>	<b>Convertible Top Visor Bracket Assembly</b>		
M 04144A	65/66; Top Hold Down & Sun Visor Bracket (less rod).....	Pair	85.63
M 04144B	67/68; Top Hold Down & Sun Visor Bracket (with rod).....	Pair	79.95

## Sun Visor Arm



M 04144D & E Sun Visor Arm (Not Sold In Pairs)

<b>M 04144</b>	<b>Sun Visor Arm</b>		
M 04144D	65/66; (Coupe & Fastback).....	Each	13.44
M 04144E	67/70; (Coupe & Fastback).....	Each	11.06
<i>See Page 125 for Attaching Parts Kit MHK 53.</i>			
<b>M 04146</b>	<b>Convertible Sun Visor Arm Pivot</b>		
M 04146C	65/66; (Convertible) Pivot Only.....	Pair	20.15

# DASH, CONSOLE & UNDERDASH AREA

## Brake & Clutch Pedal Support Bushing



<b>M 2471</b>	<b>Brake and Clutch Pedal Support Bushing</b>		
M 2471A	65/68; Brake & Clutch		
	69/73; Brake Only.....	Each	1.65

<b>M 2472</b>	<b>Brake &amp; Clutch Pedal Support Repair Kit</b>		
M 2472A	65/70; Includes (2) Nylon Bushings.....	Set	19.95
	<i>Note: Also See Part Number 7520.</i>		
M 2472B	65/73; Includes (2) Roller Bearings, (1) Shaft, ..	Set	49.44
	(2) Nylon Bushings, (5) Washers,		
	(1) Cotter Pin and (2) Snap Rings.		

<b>M 2474</b>	<b>Brake Master Cylinder Push Rod Bushing</b>		
M 2474A	65, (Before 8/17/64); 1/8" long.....	Each	6.95
M 2474C	69/72; 5/16" long.....	Each	4.99

## Parking Brake Handles



<b>M 2760</b>	<b>Parking Brake Handle</b>		
M 2760A	65/66; Includes Retaining Pin.....		6.50
M 2760B	67/68; Includes Retaining Pin.....		6.95

## Parking Brake Assembly

<b>M 2780</b>	<b>Parking Brake Assembly</b>		
M 2780A	65/66.....		75.00
M 2780B	67/68.....		75.00
M 2780C	69.....		75.00
M 2780D	70.....		75.00

<b>M 9389</b>	<b>Fog Lamp Switch Bezel Nut</b>		
M 9389A	65/67; Fog Lamp Switch		
	67/68; Used With Speed Control.....		5.91

<b>M 01508</b>	<b>Brake Pedal Support Bracket (Under Dash)</b>		
M 01508A	65/66.....		69.95

## Firewall Insulator Pad

Larry's offers Firewall Insulator Pads that are precision die-cut from original patterns and fabricated from the highest quality temperature resistant materials. Insulator Pads are the answer for keeping unwanted engine noise and heat out of your interior.

M 01605A	64/66; Fasteners Included.....	39.95
M 01605B	67/68; Fasteners Included.....	39.95
M 01605C	69/70; Fasteners Included.....	39.95
M 01605D	71/73; Fasteners Included.....	39.95

<b>Firewall Insulator Fastener</b>		
M 01691A	68/73; Used with A/C.....	1.01

## Cowl Vent Repair Kit



**Our Cowl Vent Repair Kit includes Collars, Silicone Adhesive & Detailed Instructions.**

M 01936A	65/68;		
	69; Without Air Conditioning.....	Pair	14.75

## Cowl Grille Panel Assembly

M 02010F	65/66; Includes Top & Bottom Panels.....	375.95
M 02010G	67/68; Includes Top & Bottom Panels.....	375.95
M 02010H	69/70; Includes Top & Bottom Panels.....	375.95

## Padded Dash



M 04282A	69/70	Black	Without A/C.....	Each	275.00
M 04282B	69/70	Black	w/A/C.....	Each	275.00
M 04282C	71/73	Black.....		Each	115.00
M 04290A	65	Blue.....		Each	125.00
M 04290B	65	Red.....		Each	125.00
M 04290C	65	Black.....		Each	125.00
M 04290D	66	Blue.....		Each	125.00
M 04290E	66	Dark Red.....		Each	125.00
M 04290F	66	Black.....		Each	125.00
M 04290G	67/68	Blue.....		Each	175.00
M 04290H	67/68	Red.....		Each	175.00
M 04290I	67/68	Black.....		Each	159.95
M 04290J	67/68	Dark Ivy Gold.....		Each	175.00
M 04290K	67/68	Aqua.....		Each	175.00



# DASH, CONSOLE & UNDERDASH AREA

## Protect Your Dash with Dash Mat®



*Helps prevent direct sunlight from cracking your expensive Dash. Colors may not match original colors perfectly, but you'll find these to be essential for saving your dash!*

MDM 65BK	65	Black.....	33.23
MDM 65BU	65	Blue.....	33.23
MDM 65DKGN	65	Dark Green.....	33.23
MDM 65GY	65	Gray.....	33.23
MDM 65LTBU	65	Light Blue.....	33.23
MDM 65MN	65	Maroon.....	33.23
MDM 65PO	65	Palomino.....	33.23
MDM 65RD	65	Red.....	33.23
MDM 66AQ	66	Aqua.....	33.23
MDM 66BK	66	Black.....	33.23
MDM 66BU	66	Dark Blue.....	33.23
MDM 66LTBU	66	Light Blue.....	33.23
MDM 66MN	66	Maroon.....	33.23
MDM 66TN	66	Tan.....	33.23
MDM 67AQ	67/68	Aqua.....	33.23
MDM 67BK	67/68	Black.....	33.23
MDM 67BU	67/68	Dark Blue.....	33.23
MDM 67DKGN	67/68	Dark Green.....	33.23
MDM 67GY	67/68	Gray.....	33.23
MDM 67MN	67/68	Maroon.....	33.23
MDM 67PO	67/68	Palomino.....	33.23
MDM 67TN	67/68	Tan.....	33.23
MDM 69BK	69/70	Black.....	33.23
MDM 69BU	69/70	Blue.....	33.23
MDM 69DKGN	69/70	Dark Green.....	33.23
MDM 69GY	69/70	Gray.....	33.23
MDM 69MN	69/70	Maroon.....	33.23
MDM 69PO	69/70	Palomino.....	33.23
MDM 69RD	69/70	Red.....	33.23
MDM 71BK	71/73	Black.....	33.23
MDM 71BU	71/73	Blue.....	33.23
MDM 71MN	71/73	Maroon.....	33.23
MDM 71TN	71/73	Tan.....	33.23

## Cowl Grille Panel Assembly

M 04292A	67/68	Blue.....	34.00
M 04292B	67/68	Red.....	34.00
M 04292C	67/68	Black.....	34.00
M 04292D	67/68	Ivy Gold.....	34.00
M 04292E	67/68	Parchment.....	34.00
M 04292F	67/68	Aqua.....	34.00

## Shelby Dash Gauge Pod

<b>M 04293</b>	<b>Shelby Dash Gauge Pod</b>		
M 04293A	65;		
	(Note: Can Also Be Trimmed To Fit 1966's).....		47.42

## Dash Panel Trim Set



M 04773AK	67/68; Black.....	3PC Set	56.00
M 04773BK	67/68; Chrome, Less Inserts.....	3PC Set	89.00
M 04773CK	67; Chrome With Aluminum Inserts.....	3PC Set	149.95
M 04773DK	68; Chrome With Woodgrain Inserts Non A/C.....	3PC Set	159.95
M 04773EK	68; Chrome With Woodgrain Inserts With A/C.....	4PC Set	99.95

## Dash Trim Panels

M 04774A	67/68; Instrument Panel, center trim.....	13.08
M 04410A	67/68; Instrument Panel, lower trim.....	14.65
M 04490A	67/68; Instrument Panel, upper trim Over Glove Box.....	21.95

## Dash Pad Trim Strip

M 04338A	71/73; Standard Interior, Fits Lower Edge of Dash Above Glove Box.....	20.15
M 04338B	71/73 Black, RH.....	94.00

## Brushed Aluminum Dash Panel Inserts

<b>M 04411</b>	<b>Brushed Aluminum Dash Panel Inserts</b>		
M 04411A	67; RH Side, Upper.....	17.12	
M 04411B	67; RH Side, Lower.....	17.12	
M 04411C	67, Center, Non-A/C cars.....	17.12	

## Dash Pad Upper Retaining Strips

M 04522B	67/68; Paint to Match.....	Pair	53.95
----------	----------------------------	------	-------

## Have A New-Looking Dash Again With The Mustang Dash Cap!



This is a dash skin designed to snap over the original dash to hide cracks and blemishes. Once installed, it renews the old dash area, giving the interior new life. Easy to install and may be dyed to the color of your interior (Available in Black only). Comes with detailed installation instructions.

MDC 65	65	Black.....	77.72
MDC 66	66	Black.....	77.72
MDC 67	67/68	Black.....	77.72
MDC 69	69/70;	Black, without Air Conditioning.....	80.75
MDC 69A	69/70;	Black, with Air Conditioning.....	80.75
MDC 71	71/73	Black.....	77.72

<b>MSP 376642</b>	<b>67/68; Speed Nut, Dash Panel.....</b>	<b>Set</b>	<b>9.04</b>
-------------------	--	------------	-------------

# DASH, CONSOLE & UNDERDASH AREA

## Console End Cap

<b>M 04438</b>	<b>End Cap - Console</b>	
M 04438A	65; With Air Conditioning .....	32.50
M 04438B	66; With Air Conditioning .....	59.95

## Steering Column to Dash Cover

<b>M 04459</b>	<b>Steering Column to Dash Cover</b>	
M 04459A	69; ABS Plastic, Black .....	Each 36.75
M 04459B	70; ABS Plastic, Black .....	Each 36.75

## Dash Wood Grain Kit

Custom crafted to fit easily install on your Mustang's dashboard! Includes: Dash Bezel, Glove Box Door & Console. Used with Deluxe (Pony) Interior.

Order Part No. MAC 3; 65/66..... 41.72

## Dash Emblems

<b>M 04460</b>	<b>Dash Emblems</b>	
M 04460A	69/70; Chrome Bezel For Peel & Stick Emblems .....	Each 19.95
M 04460D	69/70; "MACH 1" Peel & Stick .....	Each 8.00
M 04460E	69/70; "MUATANG" Peel & Stick.....	Each 8.00
M 04460F	69/70; "GRANDE" Peel & Stick.....	Each 14.25
M 04460G	71/73; "MUSTANG" Peel & Stick.....	Each 10.00

## Instrument Panel Name Plates



M 04460C	68; "Cobra Jet" .....	36.95
<b>M 04490</b>	<b>Running Horse Ornament for Dash Panel</b>	
M 04490B	67/68; To Complete Dash Panel Part Number M 04490 .....	4.95
M 04490C	67/68 Deluxe Interior Emblem & Base.....	34.95

## Console Upper Housing

M 04490F	69/70; Shelby.....	460.00
----------	--------------------	--------

## Shift Plate Console



M 7309A	64/66; Standard Shift .....	59.95
M 7309B	64/66; Automatic Shift .....	59.95
M 7309C	67; AutoTrans., Chrome.....	Each 124.95
M 7309D	67; Manual Trans, Chrome .....	Each 149.95
M 7309E	69; Delux Interior, AutoTrans .....	Each 98.95
M 7309F	69; Standard Interior, AutoTrans .....	Each 109.95
M 7309G	69; Delux Interior, 4 Speed Trans.....	Each 120.95
M 7309H	69; Standard Interior, 4 Speed Trans.....	Each 144.95
M 7309J	70; Delux Interior, AutoTrans .....	Each 90.95
M 7309K	70; Standard Interior, AutoTrans .....	Each 115.95
M 7309L	70; Delux Interior, 4 Speed Trans.....	Each 115.95
M 7309M	70; Standard Interior, 4 Speed Trans.....	Each 140.95

## Console Mounting Bracket

<b>M 04532</b>	<b>Console Mounting Bracket</b>	
M 04532A	64/66 .....	12.07



## Complete Console Assembly

M 04536K	67/68; Auto Transmission. Will Fit 68, But Not Concours For 68.....	Each 1250.00
M 04536M	67/68; Standard Transmission.....	Each 1250.00
M 04536P	69/70 .....	Each 445.00

This reproduction includes main housing, both ash trays, cigarette lighter assembly, maintop plate, compartment box and restpad hinge. Arm rest pad and console shift plate are sold separately.

## Console Housing



M 04567A	65/66; Short Style; Used with A/C, Coupe .....	225.00
M 04567B	65/66; Long Style; Used without A/C, Coupe .....	235.00
M 04567C	65/66; Short Style; Used With A/C, Convertible.....	225.00
M 04567D	65/66; Long Style; Used Without A/C, Convertible.....	235.00
Note: This is a shell only & comes in Black only.		
M 04567E	65/73; Cruiser Console, Coupe, Fstback.....	225.00
M 04567F	65/73; Cruiser Console, Conv.....	225.00
M 04567G	65/73; Cruiser Console Shift Boot .....	19.95
See Page 125 For Attaching Parts Kit MHK 20 & MHK 20R.		

## Overhead Console Bracket

<b>M 51946</b>	<b>Overhead Console Bracket</b>	
M 51946A	67; Front, Coupe/Fastback.....	Each 50.45
M 51946B	67; Rear, Fastback .....	Each 55.50

## Overhead Console Assembly



Includes the switches and the wire loom. Part M 51946A will be needed if installing on a non console car.

M 51958A	67; Black, Coupe.....	Each 403.95
M 51958B	67; Blue, Coupe .....	Each 403.95
M 51958C	67; Red, Coupe .....	Each 403.95
M 51958D	67; Ivy Gold, Coupe .....	Each 403.95
M 51958E	67; Parchment, Coupe .....	Each 403.95

## Auto. Transmission Shift Selector Dial Bezel



<b>M 7443</b>	<b>Automatic Transmission Bezel</b>	
Shift Selector Dial		
M 7443B	67/68; Brushed Aluminum For Console-Type ..	13.08
M 7443C	65/66; Shift Assembly For Auto Console .....	39.34
<b>M 7445</b>	<b>Automatic Transmission Console Slide</b>	
M 7445A	65/66.....	2.02
M 7445B	67/68; All, 7 3/4" long - 1 13/16" wide.....	2.02

# DASH, CONSOLE & UNDERDASH AREA

## Radio Side Trim Panel

M 04772A 69/70..... Pair 23.18

## Radio Panel Center Bezel



M 04774B

M 04774B 69/70; Black..... 29.50  
 M 04774C 71/73; Woodgrain, With Gauge Holes ..... 179.95  
 M 04774D 71/73; Woodgrain, Without Gauge Holes ..... 139.95  
 M 04774E 71/73; Black, With Gauge Holes ..... Each 189.95

## Console Ash Tray Lid



M 04814C 69/70; Has Correct Texture..... 49.95

**M 06008 Dash Glove Box Door Cable**  
 M 06008A 64/66; Includes Attaching Parts..... 7.02

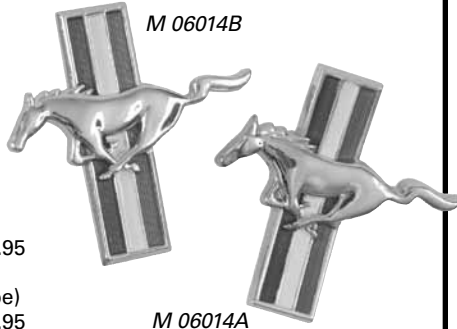
## Glove Compartment Box

M 06010A 65/66..... 12.50  
 M 06010B 65/66; Comes with Warranty Plate Clips installed just like the ..... box Ford installed on late 65's & 66's ..... 14.75  
 M 06010C 71/73; Without Air Conditioning ..... 10.50  
 M 06010D 71/73; With Air Conditioning ..... 10.50  
*See Page 125 For Attaching Parts Kits MHK 147, 181 & 184.*  
 M 06010E 67/68; Glove Box Liner ..... 39.95

## Console Front Panel

**M 06021 Console Front Panel**  
 M 06021A 65/66; Front Panel For The Console Glove Box..... Each 16.95

## Glove Box Door Ornament



M 06014A 65/66; (Flat Type) Each..... 6.95  
 M 06014B 65/66; (Curved Type) Each..... 6.95

M 06014A

## Console Door



M 06024A

M 06024B

M 06024A 67; Slide..... 40.35  
 M 06024B 68; Slide..... 40.35  
 M 06024K 65/66; Flip Open Door ..... 79.95

## Glove Box Door



M 06024D

M 06024C 65/66; Woodgrain Style - Flat Surface..... 85.00  
 M 06024D 65/66; Black - Flat Surface ..... 85.00  
 M 06024F 66; Black..... 95.90  
 M 06024G 64/65; Black - Curved Surface, Standard Interior..... Each 99.94  
 M 06024H 65/66; Console Door ..... Each 67.62  
*See Page 125 For Attaching Parts Kits MHK 181 & 184.*

**Note: Horse Does Not Come With Glove Box Door**

## Console Lid



M 06024E

**M 06024 Console Lid**  
 M 06024E 70; Deluxe Interior. Ribbed style, correct finish ..... 58.95  
 M 06024M 69/70; Standard Interior ..... Each 58.95  
 M 06024N 71/73; ..... Each 69.95

**M 06036 Glove Box Door Trim**  
 M 06036D 71/73; Black ..... Each 63.50

**M 06050 Console Door Spring Set**  
 M 06050A 65/66..... Pair 9.04

**M 06064 Glove Box Door Lock Catch**  
 M 06064A 65/66..... Each 13.08

**M 06081 Glove Compartment Lock**  
 M 06081A 67/68; Includes Cylinder & Keys..... 24.95  
 M 06081B 69/73; Glove Box Lock/Keys..... 16.01  
 M 06081C 67/68; Lockset, Glove Compartment & Trunk ..... 49.95  
 M 06081D 69/73; Lockset, Glove Compartment & Trunk ..... 31.01

**M 06082 Glove Box Latch Parts**  
 M 06082B 65; Latch Assembly, Non Locking ..... Each 12.95  
 M 06082C 66; Latch Assembly, Non Locking ..... Each 12.95

**M 10852 Dash Knob & Bezel Kit**  
 M 10852AK 65/66; Kit includes Ignition Bezel, Light Switch Knob & Bezel, Wiper Knob & Bezel, Cigar Lighter Element & Knob ..... 49.44

**M 10852 Dash Bezels**  
 M 10852A 64/65; Wiper ..... 8.08  
 M 10852B 64/66; Headlamp..... 8.08  
 M 10852C 67/68; Headlamp..... 10.05  
 M 10852D 69/70; Headlamp Switch Bezel ..... 13.95  
 M 10852E 69/70; Wiper Switch Bezel ..... 13.95  
 M 10852F 70; Cigar Lighter Bezel ..... 15.95

# DASH, CONSOLE & UNDERDASH AREA

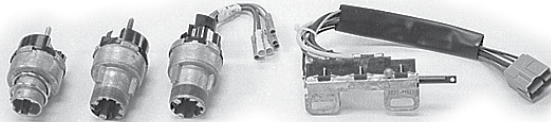
<b>M 10885</b>	<b>Spacer - Ignition Switch</b>	
M 10885A	65/66	6.06
M 10885B	67/68	19.95

<b>M 10876</b>	<b>Seat Belt Reminder Light</b>	
M 10876A	64/66; Stick On Type	59.95
M 10876B	67/68; Bracket Mount Type	59.95

These lights look exactly like the originals, but feature state-of-the-art LED light that will not melt the lens like the originals did. The LED light is rated at 100,000 hours and will last for years. Our 64-66 reminder light is designed to easily mount on the lower part of the dash without the need to drill the large hole that the original light required. Our 67-68 reminder light comes complete with a timer switch that will turn the light off after a short period of time.

<b>M10877</b>	<b>Control Panel Bezels and Lens</b>	
M10877B	67/68	29.95

## Ignition Switch & Related Parts



M 11572A	65/66	18.95
M 11572B	67	49.95
M 11572C	68/69	59.95
M 11572E	71/72	45.00



<b>M 11582</b>	<b>Ignition Switch Cylinder &amp; Keys</b>	
M 11582A	65/66	10.05
M 11582B	67/69	9.04
M 11582C	72/73	13.08
M 11582D	73; Ignition Lock, After 5/14/73	14.09

## Ignition Switch Bezels

M 11584A	65/66	8.03
M 11584B	67/68	12.07
M 11584C	69	23.18
M 11584T	69; Ignition Switch Bezel Tool	19.14

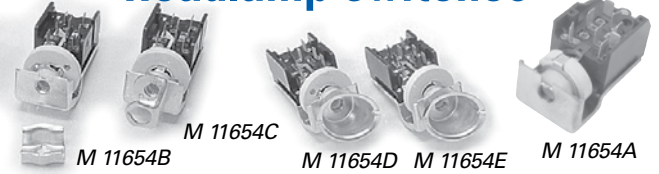
## Ignition Switch Retainer

M 11590B	67/68	9.95
----------	-------	------

## Headlight Switch Nut

<b>M 11650</b>	<b>Headlight Switch Nut</b>	
M 11650A	65/66	15.95

## Headlamp Switches



M 11654A	64; Before 8/17/64	62.95
M 11654B	64; From 8/17/64 to 11/16/64	34.95
M 11654C	65/68; From 11/16/64	25.10
M 11654D	69	72.95
M 11654E	70	40.43

## Headlamp Knob & Shaft

M 11661A	65/66	11.25
M 11661B	67/68	13.08
M 11661C	69/70	18.95



## Sport Lamp Switch

M 13254A	70; Mach 1	58.45
----------	------------	-------

## M 13533 Headlamp Dimmer Cap - Foot Switch

M 13533A	65/73; Rubber	
	70/72; Rubber, Reverberation	
	Rear Speaker Switch	5.40

## M 13707 Console Lamp Assembly

M 13707A	65/66	47.42
----------	-------	-------

## M 13712 Wire Loom Console Feed

M 13712A	65/66	22.22
----------	-------	-------

## Courtesy Lamp Switch

### M 13713 Courtesy Lamp Switch

M 13713A	65/67	
	67; Tilt Steering Wheel, before 11/14/66	7.25
M 13713C	69/71; Tilt Steering Wheel	
	71/73; RH, Front Door w/o auto seat back latch	15.45
M 13713E	70; LH, Front door w/auto seat back latch; RH front door	14.95

## M 14489 Courtesy Lamp Switch Housing

M 14489A	68/73	4.95
----------	-------	------

## Underdash Wiring Looms

Wiring Looms that are an easy way to replace worn out harnesses or wiring. The loom plugs into existing original-style receptacles for: Tail Lights, Dash Gauges, Ignition, Firewall, Steering Column, Interior Lights, Radio, Dimmer Switch, Brake Lamps, Cigarette Lighter, Courtesy Lamps, Headlamps, etc.

M 14401A	65-Early; With Warning Lights, 2-Speed Heater Motor, Tag Marked "M"; Before 4/1/65	403.95
M 14401B	65-Late; With Warning Lights, 3-Speed Heater Motor, Tag Marked "N"; After 4/1/65	403.95
M 14401C	65; With Gauges, 3-Speed Heater Motor, Tag Marked "G"	403.95
M 14401D	66; All	403.95
M 14401E	67; Std., No foglamps, tach or GT	550.45
M 14401F	67; With tach only	550.45
M 14401G	67; With fog lamps only	555.50
M 14401H	67; With fog lamps, tach and GT	565.60

Note: The Underdash Looms Do Not include Dash Instrument Cluster Wiring. If needed, please see part numbers 14402-A & B.

# DASH, CONSOLE & UNDERDASH AREA

## Console Lamp Lens



M 13734A

<b>M 13734 Console Lamp Lens</b>	
M 13734A 65/66; On Console - Rear .....	3.95
M 13734B 67/68; On Console - Rear .....	7.50

<b>M 13763 Courtesy Lamp Bracket</b>	
M 13763A 65/69 .....	Each 7.02



## Glove Box Lamp Assembly

M 14413A 65/66 .....	20.15
----------------------	-------

## Cigar Lighter & Related Parts



M 15052A

M 15055A

<b>M 15052 Cigar Lighter Knob &amp; Element Assembly</b>	
M 15052A 65/66; Knob & Element Assembly - Cigar Lighter.....	10.98
M 15052D 70/73.....	9.50
<b>M 15054 Cigar Lighter Element</b>	
M 15054A 65/66; Reproduction Of Original, With Chrome Bezel.....	7.58
M 15054B 67/73; Element Only .....	13.95
<b>M 15055 Cigar Lighter Socket</b>	
M 15055A 65/66.....	5.00

## Fog Lamp Switch



M 15214A

<b>M 15214 Fog Lamp Switch Assembly</b>	
M 15214A 65/67, Includes Knob & Nut.....	32.08
M 15214B 68; Includes Knob, Bezel & Bracket.....	50.25

<b>M 15595 Bracket - Emergency Flasher Switch</b>	
M 15595A 66 .....	2.98

## Fog Lamp Switch

M 15668C 68 .....	Each 54.30
M 15668D 69/70 .....	Each 58.45
M 15668E 71/73 .....	Each 58.45

## Convertible Top Control Switch



M 15668A

M 15668A 65/66.....	49.95
<b>M 15674 Convertible Top Switch Bezel</b>	
M 15674A 64 12/66; Includes Bezel & Knob.....	Set 38.95

## Parking Brake Warning Light

M 15852A 64/65;.....	54.95
M 15852B 67/68;.....	54.95

These lights look exactly like the originals, but feature state-of-the-art LED light that will not melt the lens like the originals did. The LED light is rated at 100,000 hours and will last for years. Our 64-66 warning light is designed to easily mount on the lower part of the dash without the need to drill the large hole that the original light required. Our 67-68 warning light comes complete with the OE underdash mounting bracket. Both kits come complete with a switch and bracket assembly to install on the parking brake unit.

## Windshield Wiper & Washer Switch



M 17443A

M 17513A

M 17553A

<b>M 17443 Wiper Switch Spacer</b>	
M 17443A 65/66.....	6.26
<b>M 17513 Windshield Wiper Knob</b>	
M 17513A 65/66.....	Each 7.02
M 17513C 69/70.....	Each 13.95
<b>M 17553 Windshield Wiper &amp; Washer Switch Assembly</b>	
M 17553A 65/66; 1-Speed With Washer .....	Each 42.95
M 17553B 65/66; 2-Speed, Before 12/19/65 .....	Each 46.95
M 17553C 66; 2-Speed.....	Each 32.95
M 17553D 69; 2-Speed.....	Each 65.60
M 17553E 70; 2-Speed Wipers, 7 terminals, Marked D0ZB-17A553-A.....	41.75
M 17553F 71/73; 2-Speed.....	Each 65.60

<b>M 18518 Heater Temperature Cable</b>	
M 18518A 67/68; Heater Temp./Defroster & Air control combined.....	29.95
M 18518B 69/73; Temperature & Defroster Control .....	44.98
M 18518C 65/66 .....	9.04

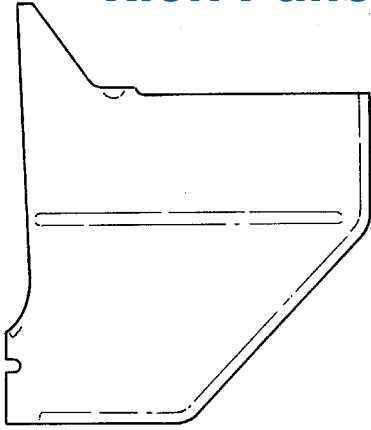
*Note: 65/66 Models Use Part Number M 18552A.*

## Heater Knob Set

An excellent set of knobs that clean up your Mustang's dash area with a bright chrome shine!

<b>M 18519 Heater Knob Set</b>	
M 18519AK 65/66; Inc. Knobs For Heat, Temp. Defrost & On/Off Set.....	15.75
M 18519B 67; Non AC.....	3 PC Set 24.95
M 18519BA 67; With AC .....	3 PC Set 24.95
M 18519CK 69/73;.....	3 PC Set 15.10
M 18519D 68; Non AC.....	3 PC Set 24.95
M 18519DA 68; With AC .....	3 PC Set 24.95

## Kick Panels & Kick Panel Carpet



While restoring the interior of your Mustang you'll want to replace your beat up and worn out kick panels. Our reproduction Kick Panel Sets bring new life to the floor/firewall area of your Mustang and are easy to install. Specify Year, Color & Body Style When Ordering.

MKP 65BK	65/66	Black	Coupe/2 + 2.....	Pair	24.58
MKP 65BU	65	Blue	Coupe/2 + 2.....	Pair	24.58
MKP 65IG	65	Ivy Gold	Coupe/2 + 2.....	Pair	24.58
MKP 65PO	65	Palomino	Coupe/2 + 2.....	Pair	24.58
MKP 65RD	65	Red	Coupe/2 + 2.....	Pair	24.58
MKP 65WT	65	White	Coupe/2 + 2.....	Pair	24.58
MKP 66AQ	66	Aqua	Coupe/2 + 2.....	Pair	24.58
MKP 66LTBU	66	Lt. Blue	Coupe/2 + 2.....	Pair	24.58
MKP 66MN	66	Maroon	Coupe/2 + 2.....	Pair	24.58
MKP 66PT	66	Parchment	Coupe/2 + 2.....	Pair	24.58
MKP 67BK	67/68	Black	Coupe/2 + 2.....	Pair	24.58
MKP 67BU	67/68	Blue	Coupe/2 + 2.....	Pair	24.58
MKP 67IG	67/68	Ivy Gold	Coupe/2 + 2.....	Pair	24.58
MKP 67PT	67/68	Parchment	Coupe/2 + 2.....	Pair	24.58
MKP 67RD	67	Red	Coupe/2 + 2.....	Pair	24.58
MKP 67SD	67/68	Saddle	Coupe/2 + 2.....	Pair	24.58
MKP 67TQ	67/68	Turquoise	Coupe/2 + 2.....	Pair	24.58
MKP 68MN	68	Maroon	Coupe/2 + 2.....	Pair	24.58
MKP 68NG	68	Nugget	Coupe/2 + 2.....	Pair	24.58
MKP 69BK	69/70	Black	.....	Pair	70.65
MKPC 65BK	65/66	Black	Convertible.....	Pair	24.58
MKPC 65BU	65	Blue	Convertible.....	Pair	24.58
MKPC 65IG	65	Ivy Gold	Convertible.....	Pair	24.58
MKPC 65PO	65	Palomino	Convertible.....	Pair	24.58
MKPC 65RD	65	Red	Convertible.....	Pair	24.58
MKPC 65WT	65	White	Convertible.....	Pair	24.58
MKPC 66AQ	66	Aqua	Convertible.....	Pair	24.58
MKPC 66BU	66	Blue	Convertible.....	Pair	24.58
MKPC 66MN	66	Maroon	Convertible.....	Pair	24.58
MKPC 66PT	66	Parchment	Convertible.....	Pair	24.58
MKPC 67AQ	67/68	Aqua	Convertible.....	Pair	24.58
MKPC 67BK	67/68	Black	Convertible.....	Pair	24.58
MKPC 67BU	67/68	Blue	Convertible.....	Pair	24.58
MKPC 67IG	67/68	Ivy Gold	Convertible.....	Pair	24.58
MKPC 67PT	67/68	Parchment	Convertible.....	Pair	24.58
MKPC 67RD	67/68	Red	Convertible.....	Pair	24.58
MKPC 67SD	67/68	Saddle	Convertible.....	Pair	24.58
MKPC 68MN	67/68	Maroon	Convertible.....	Pair	24.58

## Kick Panel Insulation

MKP IN This Insulation pad is made to fit coupe or convertible kick panel and just needs to be glued in place. Glue is sold separately. Use part # MHL KT. 65/68.....Pair 7.23

## 65/66 Kick Panel Moulding For Pony Interiors

M 02346A Pony Interior 65/66.....Pair 18.63

## Kick Panel Carpets for Moulded Carpet Sets

Authentic reproductions that are manufactured exactly to fit your Mustang's dimensions. Kick Panel Carpets are bound on the edges and are ready for immediate installation. Available in colors to match our Moulded Carpet Sets.

MKC 1AQM	66	Aqua	Coupe/2 + 2.....	Pair	24.95
MKC 1BKM	65/66	Black	Coupe/2 + 2.....	Pair	24.95
MKC 1DKBUM	65/66	Dk. Blue	Coupe/2 + 2.....	Pair	24.95
MKC 1DKGNM	65/66	Dk. Green	Coupe/2 + 2.....	Pair	24.95
MKC 1DKSDM	65/66	Dk. Saddle	Coupe/2 + 2.....	Pair	24.95
MKC 1EGM	65/66	Emberglo	Coupe/2 + 2.....	Pair	24.95
MKC 1MDBUM	65/66	Med. Blue	Coupe/2 + 2.....	Pair	24.95
MKC 1MDSM	65/66	Med. Saddle	Coupe/2 + 2.....	Pair	24.95
MKC 1MGDM	65/66	Moss Green	Coupe/2 + 2.....	Pair	24.95
MKC 1MNM	65/66	Maroon	Coupe/2 + 2.....	Pair	24.95
MKC 1OGM	65/66	Olive	Coupe/2 + 2.....	Pair	24.95
MKC 1RDM	65/66	Red	Coupe/2 + 2.....	Pair	24.95
MKC 2AQM	66	Aqua	Convertible.....	Pair	24.95
MKC 2BKM	65/66	Black	Convertible.....	Pair	24.95
MKC 2DKBUM	65/66	Dk. Blue	Convertible.....	Pair	24.95
MKC 2DKGNM	65/66	Dk. Green	Convertible.....	Pair	24.95
MKC 2DKSDM	65/66	Dk. Saddle	Convertible.....	Pair	24.95
MKC 2EGM	65/66	Emberglo	Convertible.....	Pair	24.95
MKC 2LTBUM	65/66	Lt. Blue	Convertible.....	Pair	24.95
MKC 2MDSM	65/66	Med. Saddle	Convertible.....	Pair	24.95
MKC 2MNM	65/66	Maroon	Convertible.....	Pair	24.95
MKC 2MSGNM	65/66	Moss Green	Convertible.....	Pair	24.95
MKC 2OGM	65/66	Olive	Convertible.....	Pair	24.95
MKC 2RDM	65/66	Red	Convertible.....	Pair	24.95

\*We Suggest You Order Kick Panel Carpets With Carpet Sets For Color-Match Purposes.



Your Number One Source for T-Bird Restoration Parts!

# DASH, CONSOLE & UNDERDASH AREA

## Heater Box Assembly



<b>M 18543</b>	<b>Heater Box</b>	
M 18543A	64 1/2/65; Non-Resistor Type.....	215.00
M 18543B	66; With Hole For Resistor.....	215.00
M 18543C	67/68.....	215.00

<b>M 18548</b>	<b>Defroster Cable Assembly</b>	
M 18548A	65/66.....	8.33
<b>M 18552</b>	<b>Heater Air Cable Assembly</b>	
M 18552A	65/66; 31 7/8" Long.....	9.04
<b>M 18556</b>	<b>Windshield Defroster Hose</b>	
M 18556A	67/73; 2 1/2" I.D. x 36" long; Cut to length required.....	Each 10.95
<b>M 18569</b>	<b>Heater Inlet Gasket</b>	
M 18569A	65/70.....	12.26
<b>M 18578</b>	<b>Heater Switch</b>	
M 18578A	65/66; 3 Wire, Includes Knob From 4/1/64.....	69.69
M 18620	Windshield Defroster Hose	
M 18620A	65/66; From 3/15/65, 25 1/4" long.....	Each 10.66
<b>M 18651</b>	<b>Heater Control Face Plate</b>	
M 18651A	64/66.....	23.10

## OEM-Style Dash Speakers



M 18808A	65/66; Front, (AM Radio).....	Each 14.95
M 18808D	72; Front (AM w/3.2 Ohm System) 5" x 7".....	Each 20.15

## Radio Bezel

M 18842B



M 18842A	67/68; Without Console..	58.25
M 18842B	71-73; Radio/Heater.....	69.50

## Kick Panels with Built-In Audio System Speakers



- Designed to fit into existing factory kick panel location without modification.

- High-quality speakers provide outstanding sound

A great solution for forward-mounted speakers in your Mustang as no modifications are required for installation. Simply remove existing kick panels and replace. Speakers include typical plug-type connects for quick and easy installation.

MRD KP65	1965-66; Coupe; 2-Way.....	Pair 131.25
MRD KP65C	1965-66; Convertible; 2-Way.....	Pair 131.25
MRD KP67	1967-68; Coupe; 2-Way.....	Pair 131.25
MRD KP67C	1967-68; Convertible; 2-Way.....	Pair 131.25
MRD KPU65	1965-66; Coupe; 3-Way speakers!.....	Pair 191.85
MRD KPU65C	1965-66; Conv.; 3-Way speakers!.....	Pair 191.85
MRD KPU67	1967-68; Coupe; 3-Way speakers!.....	Pair 191.85
MRD KPU67C	1967-68; Conv.; 3-Way speakers!.....	Pair 191.85

## Already Have Speakers? Buy Kick Panels with Pre-Cut Holes!

MRD KP65B	1965-66; Coupe/Fastback.....	Pair 76.71
MRD KP65CB	1965-66; Convertible.....	Pair 76.71
MRD KP67B	1967-68; Coupe/Fastback.....	Pair 76.71
MRD KP67CB	1967-68; Convertible.....	Pair 76.71
MRD KP69B	1969-70; Coupe/Fastback.....	Pair 90.00
MRD KP69BC	1969-70; Convertible.....	Pair 90.00
MRD KP71B	1971-73; Coupe/Convertible.....	Pair 82.95



Dash Repair Panel For Radios  
MRD LMR-PPB 65/66; Steel..... 19.95

## Radio Bezel

## Cylinder & Keys

M 22050A



<b>M 22050</b>	<b>Lock Sets &amp; Separate Lock, Cylinder &amp; Keys</b>	
M 22050A	65/66; Lock Set, 2 Doors & Ignition.....	36.75
M 22050B	67/69; Lock Set; 2 Doors & Ignition.....	32.08
M 22050C	70/73; Lock Set, 2 Doors & Ignition; Before 5/15/73.....	38.51
M 22050D	73; Lock Set, 2 Doors & Ignition; After 5/15/73.....	38.51
M 06081D	69/73; Lock Set, Glove Box & Trunk.....	31.01
M 11582D	73; Ignition Lock, After 5/15/73.....	14.09

M 22051A



<b>M 22051</b>	<b>Key Blanks</b>	
M 22051A	65/66; Ignition & Trunk Keys; As Original.....	3.95
M 22051B	67/73; Ignition & Trunk Keys; Dual-Side, with Pony on one side and FORD on the other.....	4.98

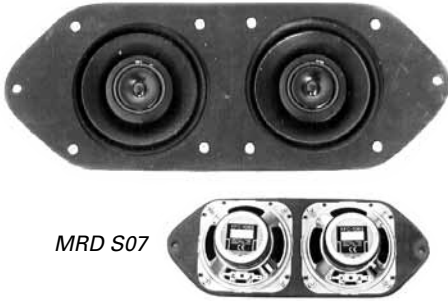
## Console Ash Tray

M 62876A	69/70; Rear of Console.....	Each 25.20
----------	-----------------------------	------------

# DASH, CONSOLE & UNDERDASH AREA

## Aftermarket Dash Speakers

### Dash-Mount Dual Speakers by Kenwood



Install a set of Dash Mount Speakers by Kenwood to really improve the sound of your audio system, without modifications! This outstanding speaker set handles 50 watts of power and enhances the sound produced by your other speakers.

MRD S07	65/66.....	Per Set	70.65
MRD S08	67/73; w/AC.....	Per Set	79.95
MRD S09	67/73; w/o AC.....	Per Set	79.95

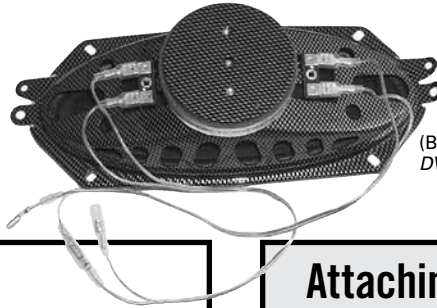
## Dual Voice Coil Upgrade Speakers (Dash-Mount)



**DVC-1001UP Speaker**  
4" x 10" 2-Way 2-Channel Speaker • 140 Watts Peak Power • 4 Ohm Impedance • Sensitivity 93dB 60 Hz • 20KHz • 12 oz. Magnet



**DVC-1001 Speaker**  
4" x 10" Dual Voice Coil Speaker • 120 Watts Peak Power • 4 Ohm Impedance • Sensitivity 87dB 46 Hz • 19KHz • 12 oz. Magnet



(Back of DVC-1001)

Get the best quality sound possible from your original dash speaker location with this dual voice coil speaker. Speaker has up to 70% more cone area than the conventional dual speaker setup. This will give you improved bass response and power handling (120 watts). Both stereo channels connect directly to one speaker. This is the best sound solution for the original dash location we have found.

### 120 Watt Speakers

DVC-1003	67/68, w/air	
	71/73.....	79.95
DVC-1005	69/70.....	45.40

### 140 Watt Speakers

DVC-1001UP	64/66.....	50.45
DVC-1005UP	69/70.....	50.45

## Console Caddy & Tunnel Tote



Tunnel Tote

Console Caddy

Console Caddies and Tunnel Totes provide storage space as well as a cushioned armrest. Each one has dual size cup holders that will accommodate even the largest mugs. The Tunnel Tote is designed to be used on cars without consoles, while the Console Caddies sit on top of the existing console. Available in all original colors. Specify Year, Body Style & Color when ordering.

MAC 4A	1964 1/2 to '67 Fits factory console.....	109.00
MAC 4B	1964 1/2 to '73, Tunnel Tote Coupe & Fastback.....	109.00
MAC 4C	1964 1/2 to '73, Tunnel Tote Convertible.....	109.00

## Attaching Hardware for this Section

MHK 6	Screw Kit, 65; Rally-Pac Mounting, Anti-theft-proof Contains: (2) screws with tool.....	5.33
MHK 7	Screw Kit, 66; Rally-Pac Mounting, Anti-theft-proof Contains: (2) screws with tool.....	5.33
MHK 9	Screw Kit, 65/66; Convertible Interior Trim with screw location identified.....	14.65
MHK 9A	Screw Kit, 67/68; Convertible Interior Trim.....	13.11
MHK 9B	Screw Kit, 69/70; Convertible Interior Trim.....	14.39
MHK 10	Screw Kit, 65/66; Coupe Interior Trim with screw location identified.....	14.65
MHK 10A	Screw Kit, 67/68; Coupe Interior Trim.....	13.11
MHK 10B	Screw Kit, 69/70; Coupe Interior Trim.....	14.39
MHK 11	Screw Kit, 65/66; Fastback Interior Trim with screw location identified.....	15.93
MHK 11A	Screw Kit, 67/68; Fastback Interior Trim.....	13.11
MHK 11B	Screw Kit, 69/70; Fastback Interior Trim.....	14.39
MHK 20	Screw Kit, Console Mounting; 65/66, (set of 6)....	3.21
MHK 20R	Screw Kit, Console Mounting; 65/66, (kit of 4)....	2.18
MHK 22	Screw Kit, Instrument Housing; 65/66, (set of 6)	3.47
MHK 34	Socket Kit, Instrument Lamp, 65/68.....	5.08
MHK 51	Screw Kit, Upper Dash Pad Retaining, 65/66.....	3.47
MHK 52	Screw Kit, Dash Trim & Pillar; 65/66, (kit of 8).....	3.66
MHK 55	Screw Kit, Kick Panel; 65/68, (kit of 4).....	2.96
MHK 147	Screw Kit, Glove Box, black; 65/66, (kit of 7).....	4.05
MHK 148	U-Nut Kit, Instrument Bezel; 65/66, (kit of 6).....	4.05
MHK 176	Screw Kit, Speaker Grille; (kit of 2).....	1.48
MHK 181	Screw Kit, Glove Box Door; 65/66, (set of 6).....	3.47
MHK 184	Bumper, Glove Box, 65/66 & 71/73, 67/70 Licence Plate Bumper (kit of 2).....	2.18
MHK 185	Bumper, Ash Tray; 65/66, (kit of 2).....	2.18
MHK 206	Clamp, Under Dash Wiring, 65/66.....	3.75
MHK 529	Clip Kit, Dash Pad Trim; 65/66, (kit of 4).....	2.95
MSP 380369	Glove Box Bumper, 67/70.....	Pair 2.02
MSP 380503	Screw, Gas Pedal, 65/70.....	Each 4.02



# GENERATOR & ALTERNATOR

## Fuel Gauge

M 9305G	68; Fuel & Alternator Set.....	129.00
M 9305H	69; Fuel & Alternator Set, Black Face.....	129.00

## Rebuilt Generator



M 10002	Rebuilt Generator	
M 10002B	64 1/2; 8 Cylinder .....	185.00
	Core Deposit .....	40.00

## Alternator Mounting Bracket

M 10156A	65/73; Small Block, Black.....	Set	15.95
M 10156B	65/73; Small Block, Chrome.....	Set	15.95
M 10156C	69; Fits On Upper Head.....	Each	34.95

## Generator Splash Shield

M 10170A	64 1/2; Rubber.....	Each	18.45
----------	---------------------	------	-------

## Alternator Fan Blade

M 10310A	65/69; Gold Zinc Plated.....	10.05
M 10310B	69/73; 10-Blade .....	10.05



## Alternator Fan & Pulley Set

M 10310C	65/73; Alternator Fan & Pulley Set, Includes The Lock Washer and Nut, Chrome.....	Set	15.95
----------	--	-----	-------

## Original-Style Voltage Regulator



M 10316	Voltage Regulator	
M 10316A	65/66, All, With Alternator, Original Style - Black .....	26.95
M 10316B	67/73; Original Style - Blue .....	27.95
	See Page 125 For Attaching Parts Kit MHK 196.	

## Alternator Pulley

M 10344A	2.62" Single.....	13.08
M 10344B	HiPo, Boss 302/429 .....	31.25
M 10344C	2.62" Double .....	19.14
M 10344D	65/73; V8, 3" OD Silver .....	39.95
M 10344E	65/73; V8, 3" OD Black .....	39.95

## Rebuilt Alternator



M 10346	Rebuilt Alternator	
M 10346A	65/72; Rebuilt.....	70.65
	Core Deposit .....	45.00

## Alternator Mounting Bolt Kit

M 10347AK	65/67; 289, 302, 390, 428 .....	Kit	9.95
M 10347BK	67/70; 390, 428.....	Kit	9.95
M 10347CK	68/69; 289, 302, Non Smog.....	Kit	9.95

## M 10370 Alternator Spacer

M10370A	65/73; 289 & 302, Gold .....	10.05
M10370B	67/73; 390 & 428, Pink .....	10.05

## Voltage Regulator

M10505A	64 1/2; 6 & 8 Cylinder, With Generator, Original Style.....	40.35
	See Page 125 For Attaching Parts Kit MHK 196.	

## Amp Gauge



M 10850A

## M 10850 Amp Gauge

M 10850A	66.....	79.74
M 10850D	68.....	64.00
M 10850E	69; Black Face .....	64.00
M 10850F	70; Grey Face.....	64.00

## M 14305 Alternator to Starter Voltage Reg. Relay - Wire Loom

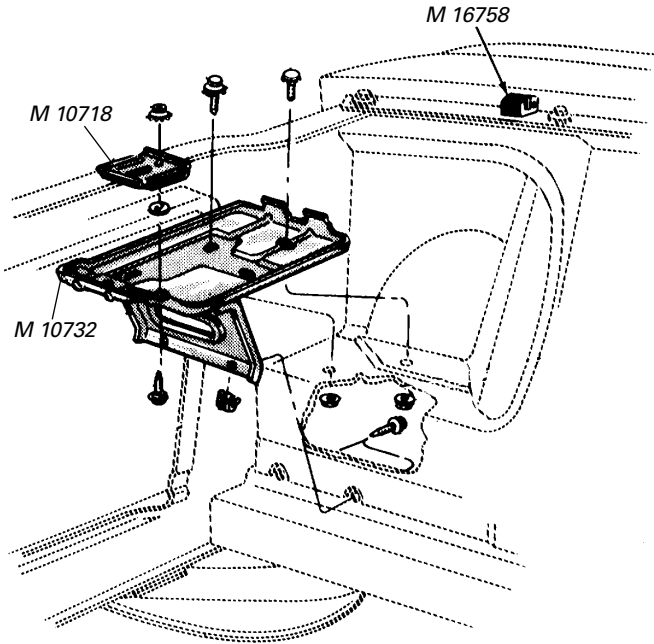
M 14305A	64 1/2, 6 Cylinder .....	60.55
M 14305B	65, 6 Cylinder, warning lamps.....	22.73
M 14305C	65, 6 Cylinder, with gauges .....	22.73
M 14305D	66, 6 Cylinder .....	22.17
M 14305E	64 1/2, 8 Cylinder .....	60.55
M 14305F	65, 8 Cylinder, warning lamps.....	22.73
M 14305G	65, 8 Cylinder, with gauges .....	22.73
M 14305H	66, 8 Cylinder.....	22.73
M 14305I	67, 289, without tachometer 68, 289, 302, without tachometer.....	22.73
M 14305J	67/68, 6 Cylinder, without tachometer.....	22.17
M 14305K	67/68, Small Block, with tachometer.....	30.25
M 14305L	67/68, 390, 427, 428, with tachometer .....	30.25
M 14305M	69, All, without tachometer.....	25.20
M 14305N	69, All, with tachometer .....	50.45

## Attaching Hardware for this Section

MHK 196	Screw Kit, Voltage Regulator & Solenoid, 65/68, (Kit of 4) .....	Kit	2.18
---------	---	-----	------

# BATTERY & STARTER

## Battery Tray & Related Parts 65/66 Mustangs



## AutoLite® Battery Cover

The AutoLite® Battery Cover fits over the top of any Group 24 flat top battery. An economical solution to purchasing expensive AutoLite® Sta-Ful Batteries. Includes (6) Caps, Decal and Plastic Cover.

MAC 6 AutoLite Battery Cover..... 42.95

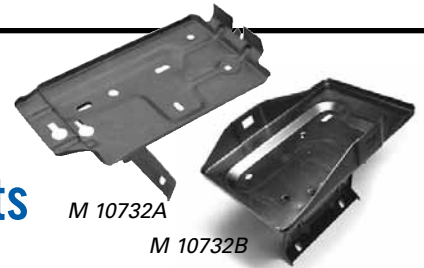
## Battery Hold Down Clamps



M 10718A	65/66; Use With Standard Battery .....	8.52
M 10718B	65/66; Use With Heavy Duty Battery .....	3.99
M 10718C	67/70 .....	5.97
M 10718D	71/73 .....	16.50

See Page 125 For Attaching Parts Kit MHK 231.

## Battery Trays & Clamp Kits



M 10732A	65/66; Fits All Batteries .....	12.80
M 10732B	67/70; Group 22 & 24 frame batteries only .....	13.87
M 10732C	71/73; Fits All Batteries .....	15.10

See Page 125 For Attaching Parts Kit MHK 292.

Kits include battery tray, clamp protection mat and hardware.

M 10732AK	65/66; Standard Battery .....	Kit	18.95
M 10732BK	65/66; HD Battery .....	Kit	19.95
M 10732CK	67/70; Size 22 & 24 Battery .....	Kit	19.95
M 10732DK	71/73; All .....	Kit	34.95

<b>M 10756</b>	<b>Battery Bolt</b>		
M 10756A	67/73; (2) Required .....	Each	2.45
MSP 44722	67/73; Flat Washer, (2) Required .....	Each	.20
MSP 354299	67/73; Hex Nut, (2) Required .....	Each	.51

<b>M 10760</b>	<b>Battery Positive (+) Post Shield</b>		
M 10760A	66; Fits To Fender Apron, Includes Fasteners.....		1.52

<b>M 14300</b>	<b>Battery &amp; Starter Cables - Kit</b>		
M 14300A	65/66; 6 Cylinder .....	Set	69.95
M 14300B	65/66; 8 Cylinder .....	Set	69.95
M 14300C	67; All .....	Set	69.95
M 14300D	68/69; All (Except 428 CJ) .....	Set	69.95
M 14300E	70/71; All .....	Set	69.95
M 14300F	72/73; All .....	Set	69.95

\*Note: Sets Include Exact Reproduction Of Positive (+) & Negative (-) Battery Cables & Starter To Solenoid Cable.

<b>M 14301</b>	<b>Battery •With Brackets - Cable Kit</b>		
M 14301A	65/66; 289, Includes exact reproduction of Positive & Negative battery cables & starter to solenoid cable with installation brackets and grommets .....		73.95

<b>M 14302</b>	<b>Bracket &amp; Grommet • Battery Cable - Kit</b>		
M 14302B	65/68.....		10.66

## Battery Mat® Helps Solve Problems Associated with Leaking Batteries!



MAC 23 Battery Mat®..... 4.55

## Attaching Hardware for this Section

MHK 231	Battery Clamp Bolt & Nut Kit, 65/66, (1 each) .....		2.32
MHK 292	Battery Tray Mounting Kit, 65/66, (8 Pieces) .....		5.33
MSP 44722	67/73; Flat Washer, (2) Required.....	Each	.20
MSP 354299	67/73; Hex Nut, (2) Required.....	Each	.51

## Starter Solenoid



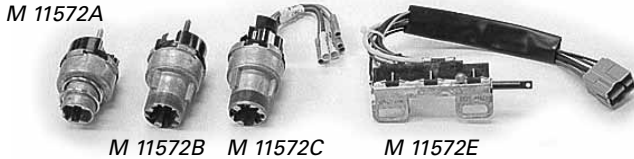
<b>M 11450</b>	<b>Solenoid - Starter Relay</b>		
M 11450A	65/73.....		10.95
	MHK 196 Screw Kit, Voltage Regulator & Solenoid, 65/68, (Kit of 4) .....		2.18

# IGNITION & DISTRIBUTOR

## Ignition Switch Spacer

M 10885A	65/66	.....	6.06
M 10885B	67/68	..... Each	19.95

## Ignition Switch Spacer



M 11572A	65/66	.....	18.95
M 11572B	67	.....	49.95
M 11572C	68/69	.....	59.95
M 11572E	71/73	.....	45.00

## Ignition Switch Cylinder & Keys



M 11582A	65/66	.....	10.05
M 11582B	67/69	.....	9.04
M 11582C	72/73	.....	13.08
M 11582D	73; Ignition Lock, After 5/14/73	.....	14.09

## Ignition Switch Retainer

M 11590B	67/68	..... Each	9.95
----------	-------	------------	------

## Ignition Switch Bezels



M 11450	<b>Starter Relay Solenoid</b>		
M 11450A	65/73	.....	10.95
M 11584T	MHK 196 Screw Kit, Voltage Regulator & Solenoid, 65/68, (Kit of 4)	.....	2.18
	69; Ignition Switch Bezel Tool	..... Each	19.14

## Coil Bracket



Use with Original Yellow Top Coil

M 12043	<b>Coil Bracket</b>		
M 12043A	65/73; Black	..... Each	12.95

## Increase Horsepower & Improve Performance!



## Pertronix Ignition System

Increase Horsepower and improve Fuel Economy with the Pertronix Ignition System. Fits entirely in the distributor. Tests have shown the Pertronix Ignitor delivers *Twice the Voltage* to the spark plugs vs. standard ignitions! Easy to install with detailed instructions included.

M 12000AK	65/73; 6 Cylinder	.....	69.95
M 12000BK	65/73; 8 Cylinder	.....	69.95
M 12000CK	66/67; 6 Cylinder w/smog	.....	69.95

## Ignition Coil



M 12029	<b>Ignition Coil</b>		
M 12029A	65/73; Black Top, Standard Replacement	.....	18.95
M 12029B	65/73; Yellow Top	.....	34.95
M 12029C	65/73; Hi-Performance, 40,000 volts, Oil Filled, Chrome	.....	39.95
M 12029D	65/73; Hi-Performance, 40,000 volts, Oil Filled, Black	.....	34.95

*Can't make a decision on the best gift? Larry's gift certificates are the solution! Ask our Sales Specialists for complete details*

# IGNITION & DISTRIBUTOR

## Distributor Caps



M 12106A

M 12106B

<b>M 12106</b>	<b>Distributor Cap</b>		
M 12106A	65/73; 8 Cylinder .....	11.73	
M 12106B	65/73; 6 Cylinder .....	16.50	
<b>M 12127</b>	<b>Distributor (Rebuilt)</b>		
M 12127A	65/67; 170 - 200 CBI, 3/16" shaft.....	145.00	
M 12127B	68/73; 200 - 250 CBI .....	145.00	
M 12127C	65/68; 289 A/T (except HiPo) .....	145.00	
M 12127D	65/68; 289 M/T (except HiPo) & 68/73; 302 .....	145.00	
M 12127E	69/73; 351 .....	145.00	
M 12127F	67/69; 390.....	145.00	
	Core Charge .....	65.00	
<b>M 12171</b>	<b>Distributor Points</b>		
M 12171A	65/73; 6-Cylinder .....	7.02	
M 12171B	65/73; 8-Cylinder (except HiPo) .....	7.45	
<b>M 12200</b>	<b>Distributor Rotor</b>		
M 12200A	65/67; 6 Cylinder .....	8.25	
M 12200B	68/73; 6 Cylinder .....	5.56	
M 12200C	65/73; 8 Cylinder .....	6.25	
<b>M 12300</b>	<b>Distributor Condensor</b>		
M 12300A	65/67; 6 Cylinder .....	8.75	
M 12300B	68/73; 6 Cylinder .....		
	65/73; 8 Cylinder .....	7.85	

## Pertronix Flame-Thrower Distributor

Flame-Thrower.  
New "Plug n Play"  
Technology at  
a price you can  
afford! No ignition  
box required.



M 12127H

M 12127G	65/73; 260, 289, 302.....	Each	242.35
M 12127H	69/73; 351W .....	Each	242.35
M 12127I	69/71; 351C .....	Each	242.35

## Distributor Hold Down Clamp

<b>M 12270</b>	<b>Distributor Hold Down Clamp</b>		
M 12270A	65/73; V8 Chromed, Includes Clamp & Bolt.....	Set	7.95



M 12297B



M 12297A

## Spark Plug Wire Separators

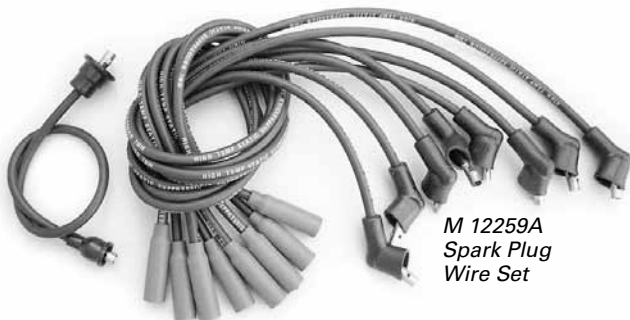
<b>M 12297</b>	<b>Spark Plug Wire Separator</b>		
M 12297A	65/73; 8 Prongs .....	Each	.35
M 12297B	65/73; Mounts on valve cover bracket .....	Each	1.50

## Distributor Vacume Advance

M 12370A	64/65; Early V8 .....	Each	21.95
M 12370B	65/67; 6 Cylinder .....	Each	25.95
M 12370C	65/71; V8.....	Each	21.95
M 12370D	68/71; Dual Vacuum .....	Each	36.95

<b>M 12371</b>	<b>Vacuum Advance Line - Distributor to Carburetor</b>		
M 12371A	65/66; 8 Cylinder, 289 .....		11.95

## Door/Trim Attaching Hardware



M 12259A  
Spark Plug  
Wire Set

M 12259A	65/68; 8 Cylinder, 289, as original .....	48.95
M 12259B	67/73; 8 Cylinder (exc. 1967 289 & 1973 302).....	38.25
M 12259C	65/67; All 8 Cylinder (except 390) .....	38.25
M 12259D	73; 302.....	38.75
M 12259E	65/73; All, 6 Cylinder .....	27.65

<b>Pertronix Spark Plug Wires - 7.0mm "Stock Look"</b>		
M 12259F	65/73; 6 Cylinder .....	Set 39.95
M 12259G	65/71; 289 & 302.....	Set 39.95
M 12259H	67/71; 251, 390, 428 & 429 72/73; 351 & 302 Clevelands.....	Set 40.35

## Cylinder & Keys



M 22050A

<b>M 22050</b>	<b>Lock Sets &amp; Separate Lock, Cylinder &amp; Keys</b>		
M 22050A	65/66; Lock Set, 2 Doors & Ignition.....		36.75
M 22050B	67/69; Lock Set; 2 Doors & Ignition .....		32.08
M 22050C	70/73; Lock Set, 2 Doors & Ignition; Before 5/15/73.....		38.51
M 22050D	73; Lock Set, 2 Doors & Ignition; After 5/15/73.....		38.51

## Mustang Logo Key Blanks

M 22051A



<b>M 22051</b>	<b>Key Blanks</b>		
M 22051A	65/66; Ignition & Trunk Keys; As Original.....		3.95
M 22051B	67/73; Ignition & Trunk Keys; Dual-Side, with Pony on one side and FORD on the other.....		4.98

## Attaching Hardware for this Section

MHK 42	Screw Kit, Distributor (internal), 65/69, (Kit of 4).....	2.18
--------	--	------

# EXTERIOR LIGHTS

## GT Grille Bars & Lamps



M 8391B GT Grille Bar & Lamp Kit



M 8390G  
Grille Bars



M 15214A Switch



M 8393  
Circuit Breaker



M 15220A  
Fog Lamp Bulb

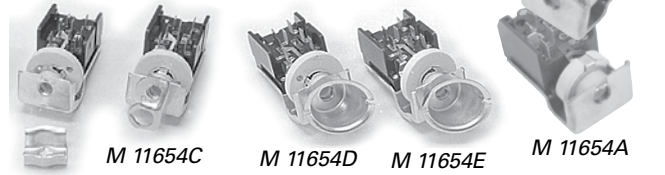
<b>M 8390</b>	<b>Radiator Grille Bar</b>		
M 8390A	66; GT, Fog Lamp Bars; Die-cast, RH & LH .....	Per Set	49.95
M 8390B	65/66; Lower .....		36.61
M 8390C	65; Standard Grille Bars .....	Per Set	50.45
M 8390E	67; Standard Grille Bars .....	Per Set	100.95
M 8390G	67; GT Fog Light Bars .....	Per Set	110.95
M 8390H	65; GT Fog Light Bars .....	Per Set	80.75
	See Page 125 For Attaching Parts Kit MHK 224.		
<b>M 8391</b>	<b>GT Grille Bars &amp; Lamps - Kit</b>		
M 8391B	66; Consists of: (1) Set of our own die-cast reproduction light bars #8390-A, and our own exact reproduction lamps #15200-A with bulbs and wire pigtails (2) .....	Per Set	115.00
M 8391C	67; Consists of: GT Fog Light Bars, Bulb, Bulb Housings, and Wire Pigtails .....	Per Set	166.60
M 8391D	65; Consists Of: (1) Set Fog Lamp Bars, Bulb Housings, Clear Bulbs & Bulb Pig Tails .....	Per Set	149.95
<b>M 8392</b>	<b>Fog Lamp Wire Loom Assembly</b>		
M 8392A	65/67; Consists of all the wires needed to install GT-Type Fog Lamps; Correct Grommet & Wire Color .....		46.95
	Note: Refer to #M 15214 (Listed Below) for Fog Lamp Switch. See Page 125 For Attaching Parts Kit MHK 244.		
<b>M 8393</b>	<b>Fog Lamp Wire &amp; Circuit Breaker</b>		
M 8393A	65/67; Feed Wire For Lights .....		10.05
<b>M 8394</b>	<b>Fog Lamp Bar Bracket</b>		
M 8394A	66; Mounts Behind Grille .....	Per Set	21.72
M 8394B	67; Mounts Behind Grille .....	Per Set	22.50
M 8394C	65 .....	Per Set	24.50
M 8394D	68 .....	Per Set	22.50
<b>M 9389</b>	<b>Fog Lamp Switch Bezel Nut</b>		
M 9389A	65/67; Fog Lamp Switch .....		
	67/68; Used With Speed Control .....		5.91
<b>M 15200</b>	<b>Fog Lamp Housing with Wire</b>		
M 15200C	65/67; Reproduction of Original .....	Each	35.95
M 15200D	68; Exact Reproduction .....		36.31
<b>M 15214</b>	<b>Fog Lamp Switch Assembly</b>		
M 15214A	65/67; Includes Knob & Nut .....		32.08
M 15214B	68; Includes Knob, Bezel & Bracket .....		50.25
<b>M 15220</b>	<b>Fog Lamp Bulb</b>		
M 15220A	Clear .....	Each	17.25
M 15220B	Amber .....	Each	15.25

## M 11650 Headlight Switch Nut

M 11650A 65/66 ..... **NEW** ..... Each 15.95

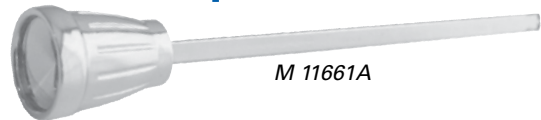
## Headlamp Switches

M 11654B



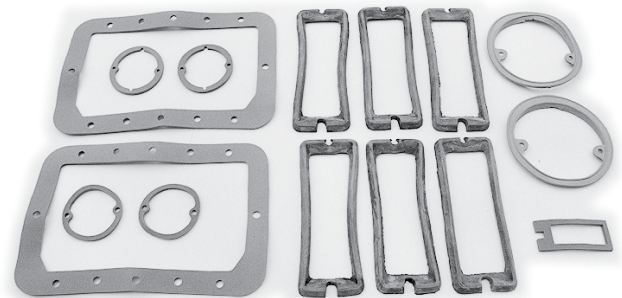
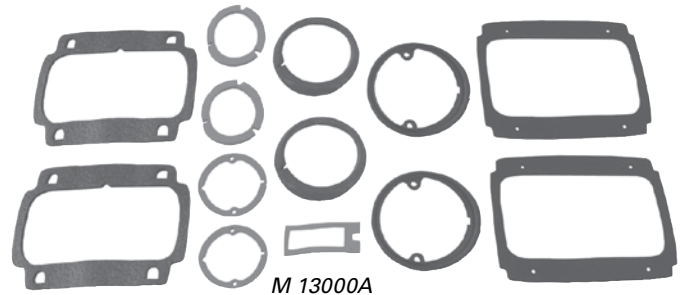
M 11654A	64; Before 8/17/64 .....	62.95
M 11654B	64; From 8/17/64 to 11/16/64 .....	34.95
M 11654C	65/68; From 11/16/64 .....	25.10
M 11654D	69 .....	72.95
M 11654E	70 .....	40.43
M 11654F	71/72 .....	28.95

## Headlamp Knob & Shaft



M 11661A	65/66 .....	11.25
M 11661B	67/68 .....	13.08
M 11661C	69/70 .....	18.95

## Lamp Gasket Kits



M 13000A	65/66; Includes Gaskets & Pads for Parking Lights, Tail Lights, Back-Up Lights & License Plate Light .....	21.37
M 13000B	67/68; Includes Gaskets & Pads for Parking Lights, Tail Lights, Back-Up Lights & License Plate Light .....	31.01

# EXTERIOR LIGHTS



## Head Lamp & Related Parts FoMoCo Logo Head Lamp Bulb

**M 13007A**

<b>M 13006 Headlamp Spring &amp; Hardware Kit</b>	
M 13006AK 65/66; 2 Required .....	Kit 15.00
M 13006BK 67/68; 2 Required .....	Kit 14.00
M 13006CK 69; 4 Required .....	Kit 14.00
<b>M 13007 Sealed Beam Headlamp with FoMoCo Logo on Glass</b>	
M 13007A 65/68; 69/70 - GT350/500; 70/72, High/Low Beam.....	Each 16.75
M 13007B 69; Low Beam.....	Each 13.25
M 13007C 69; High Beam Does Not Have Script.....	Each 13.25

*All of the above are as original with FoMoCo etched into glass. See Page 125 for Attaching Parts Kits MHK 25, 35 & 157.*

<b>M 13007 Halogen Headlamp Bulbs</b>	
M 13007D 65/68 & 70/73; Plug in replacement that dramatically improves your night vision! .....	Each 15.10

**Tri-Bar Head Lamp Bulbs** are the best looking lamp for the resto-mod or show car.. Clear Bulb included.

M 13007E 65/68 & 70/73; Halogen Tri-Bar Lamp.....	Each 90.85
M 13007F 69;.....	Each 90.85

<b>M 13008 Headlamp Bucket Assembly</b>	
M 13008A 65/66; RH.....	117.11
M 13008B 65/66; LH.....	117.11
M 13008C 67/68; RH (except GT350/500) .....	145.00
M 13008D 67/68; LH (except GT350/500).....	145.00
M 13008E 69; RH.....	272.65
M 13008F 69; LH.....	272.65
M 13008G 70; RH.....	380.52
M 13008H 70; LH.....	380.52

## Head Lamp Retaining Ring



M 13015A 65/68; 70/73; 69; GT350/500 .....	Each 12.69
M 13015B 69; (exc. GT350/500) .....	Each 15.10
<b>M 13024 Headlamp Dimmer Switch</b>	
M 13024A 65/73.....	Each 9.75

## Head Lamp Bucket Seal

<b>M 13044 Headlamp Bucket to Fender Seal</b>	
M 13044A 67/68.....	Each 1.25

## Head Lamp Door



M 13064A

<b>M 13064 Headlamp Door</b>	
M 13064A 65/66; LH .....	Each 25.25
M 13064B 65/66; RH.....	Each 25.25
M 13064C 67/68; (except GT350/500) RH or LH .....	Each 18.95
M 13064D 69; Outer Headlight Rim, Chrome, RH or LHEach	34.95
M 13064E 69; Inner Headlight Door, Black.....	Pair 54.49
M 13064F 70; Black.....	Pair 54.49
M 13064G 71/72; RH.....	Each 52.47
M 13064H 71/72; LH .....	Each 52.47

*See Page 125 For Attaching Parts Kits MHK 15.*

## Head Lamp Adjusting Nut

M 13181 Headlamp Adjusting Nut	
M 13181A 65/66; Metal with Nylon Insert.....	Each 3.79

## Parking Lamp Body



M 13206A

M 13200B

<b>M 13200 Parking Lamp Assembly</b>	
M 13200A 67/68; RH or LH.....	Each 28.23
M 13200B 69; RH.....	Each 55.50
M 13201B 69; LH.....	Each 55.50
M 13200C 70; RH.....	Each 55.50
M 13201C 70; LH.....	Each 55.50
M 13200D 71/73; RH.....	Each 43.50
M 13201D 71/73; LH.....	Each 43.50
<b>M 13206/7 Parking Lamp Body</b>	
M 13206A 65/66; RH.....	Each 20.15
M 13207B 65/66; LH.....	Each 20.15

*See Page 125 For Attaching Parts Kit MHK 246.*

## Parking Lamp Kit

Our Kits include the lamp body and body retainers 65/68, lens, gaskets, bulbs and hardware.

M 13206AK 64/65; Clear Lens .....	Kit 54.95
M 13206BK 65/66; Amder Lens.....	Kit 54.95
M 13206CK 67/68; .....	Kit 69.95
M 13206DK 69; .....	Kit 99.95
M 13206EK 70; .....	Kit 99.95
M 13206FK 71/735; Amber Lens.....	Kit 85.95

## Park Lamp Lens



M 13208B

<b>M 13208/9 Parking Lamp Lens</b>	
M 13208A 64/65; Clear Lens .....	Each 5.30
M 13208B 65/66; Amber Lens - RH or LH .....	Each 4.82
M 13208C 67/68; Clear Lens - RH or LH.....	Each 3.89
M 13209P 71/72; Amber.....	Each 28.95

*See Page 125 For Attaching Parts Kits MHK 12 & 46.*

<b>M 13210 Sport Lamp Lens</b>	
M 13210A 70; Mach I Grille Lens & 69/70 Shelby Park Lamp Lens .....	Pair 38.33
M 13210B 71/72; Grille Lens.....	Each 33.95
M 13210C 70; Mach 1.....	Pair 69.95

## Front Parking Lamp Bezel

M 13212A 67/68; RH.....	Each 18.95
M 13212B 67/68; LH.....	Each 18.95

## Park Lamp Gasket & Pad



M 13211A



M 13217A

<b>M 13211 Parking Lamp Lens Gasket</b>	
M 13211A 65/68 .....	Each 1.02
M 13211B 67/68 .....	Each 1.02
M 13211C 69/70 .....	Each 1.52
M 13211D 71/72 .....	Each 1.52
M 13211E 70; Mach I Grille Lights & 69/70; Shelby .....	Each 1.52
<b>M 13217 Parking Lamp Body to Front Valance Pad</b>	
M 13217A 65/66, RH & LH.....	Pair 5.30
<b>M 13220/1 Parking Lamp Retainer</b>	
M 13220B 65/66; RH .....	Each 4.95
M 13221A 65/66; LH.....	Each 4.95
M 13220C 67/68; RH.....	Each 14.95
M 13221C 67/68; LH.....	Each 14.95

# EXTERIOR LIGHTS

## Sport Lamp Switch

M 13254A 70; Mach 1..... Each 58.45

## Emergency Flasher & Related Parts



M 13342A

**M 13342 Emergency Flasher Knob**  
 M 13342A 67 ..... 9.04  
 M 13350 Turn Signal & Emergency Flasher Assembly  
 M 13350C 65/70; Turn Signal Flasher ..... 5.95  
 M 13350F 65/72; Emergency Flasher ..... 4.95  
 M 15595 Emergency Flasher Switch Bracket  
 M 15595A 66 ..... 2.98

**M 13408 Rear Lamp Wiring Assembly**  
 M 13408A 65/66; Extension Plug ..... 18.13

## Rear Lamp Pad



M 13420A

**M 13420 Rear Lamp Mounting Pad**  
 M 13420A 65/66 ..... Pair 3.16  
 M 13420B 67/68 ..... 3.16

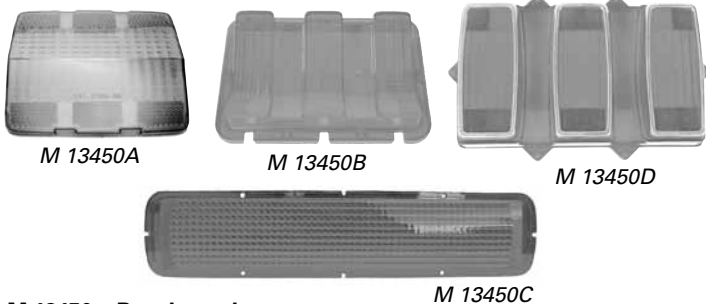
## Tail Light Body



M 13434A

**M 13434 Tail Light Body**  
 M 13434A 65/66; (Does Not Include Part #13A408) ..... 24.95  
 M 13434B 67/68; Tail Lamp Housing ..... Each 42.17  
 M 13434C 68; GT California Special ..... Pair 157.95  
 M 13434D 71/73; Tail Lamp Housing ..... Each 55.50  
 M 13434E 69; ..... Each 75.95  
 M 13434F 70; ..... Pair 86.95  
 See Page 125 For Attaching Parts Kit MHK 12.

## Rear Lamp Lens



M 13450A

M 13450B

M 13450D

M 13450C

**M 13450 Rear Lamp Lens**  
 M 13450A 65/66 ..... 8.75  
 M 13450B 67/68; (Except GT/CS, GT350/500) ..... 28.87  
 M 13450C 68, GT/CS; 68/70, GT350/500 ..... 56.95  
 M 13450D 69; (Except GT350/500) ..... 69.44  
 M 13450E 70; Tail Light Lens ..... 84.79  
 M 13450F 71/73; Tail Lamp Lens & Bezel  
 RH or LH ..... Each 99.95  
 See Page 125 For Attaching Parts Kit MHK 14.

## Tail Lamp Kit

Our kits include the lamp body, lens, sockets, bulbs, seals, bezels and hardware.

M 13450AK 65/66; ..... Kit 105.95  
 M 13450BK 67; ..... Kit 219.95  
 M 13450CK 68; ..... Kit 219.95  
 M 13450DK 68; GT/CS & Shelby  
 (Bulb Socket Not Include) ..... Kit 399.95  
 M 13450GK 71/73; ..... Kit 329.95

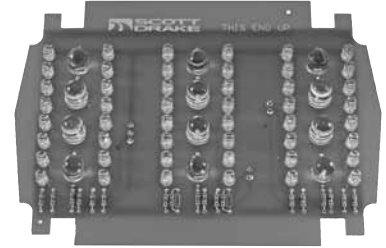
## Rear Lamp Lens Gasket



M 13461B

**M 13461 Rear Lamp Lens Gasket**  
 M 13461A 67/68; Shelby ..... Each 1.95  
 M 13461B 65/66 ..... Pair 3.16  
 M 13461C 67/68 ..... Pair 3.75  
 M 13461D 69 ..... Pair 3.75

## LED Tail Lamp Panel



LED tail lights feature a combination of large and small LEDs for a unique look. They are designed so they can be wired to function in several ways. Each bank of LEDs are independent to make a distinction between tail lights and brake/turn signal lights. Made with a 50,000 hour rated life.

M 13465R 65/66 ..... Pair 99.95  
 M 13465S 67/68 ..... Pair 99.95

**M 13480 Stop Lamp Switch Assembly**  
 M 13480A 64; With Generator ..... 14.95  
 M 13480B 65/66; With Alternator  
 67/70; Without Power Brake ..... 12.75  
 M 13480C 67/68; w/Power Brake, Disc ..... 23.95  
 M 13480D 67/68; w/Power Brake, Drum  
 69/70; w/Power Brake, All ..... 19.95  
 M 13480E 71/73; Without Power ..... 10.75  
 M 13480G 71/73; Without Power ..... 19.50

## Tail Lamp Bezel



M 13489A



M 13489C

**M 13489 Tail Light Bezel**  
 M 13489A 65/66 ..... 16.95  
 M 13489B 67; Chrome Finish, (Includes Pad) ..... 9.00  
 M 13489C 68; Shelby ..... Each 83.78  
 M 13489F 68; Chrome With Black Insert, (Includes Pad) ..... 8.59  
 M 13489G 69 ..... Each 72.95  
 M 13489H 70; RH ..... Each 127.21  
 M 13489I 70; LH ..... Each 127.21

See Page 125 For Attaching Parts Kits MHK 14.

# EXTERIOR LIGHTS

<b>M 13520</b>	<b>Rear Lamp Housing to Body Seal</b>		
M 13520A	67/68	Each	12.63
M 13520B	69	Each	14.09
M 13520C	70	Each	21.16
M 13520D	71/73	Each	19.14
<b>M 13533</b>	<b>Headlamp Dimmer Foot Switch Cap</b>		
M 13533A	65/73; Rubber 70/72; Rubber, Reverberation Rear Speaker Switch		5.40

## Rear License Lamp & Related Parts

<b>M 13560</b>	<b>Lamp Assembly - Rear Licence Plate</b>		
M 13560A	64 1/2-70		29.95
M 13560C	71/73		29.95
<b>M 13564</b>	<b>Rear License Lamp Lens</b>		
M 13564A	65/73; Glass		9.93
	<i>See Page 125 For Attaching Part Kit MHK 39.</i>		
<b>M 13568</b>	<b>Rear License Lamp Lens Gasket</b>		
M 13568A	65/73		1.18

## Interior Door Lamp

<b>M 13786</b>	<b>Interior Door Lamp</b>		
M 13786B	67/68; Deluxe Interior	Each	32.50
M 13786C	69/70	Pair	79.95

## Side Marker Lamp & Related Parts

<b>M 15201</b>	<b>Marker Lamp</b>		
M 15201B	68; Complete Lamp Assem. Includes Mounting Hardware	Pair	139.95
M 15201C	70; Red Lens, Includes Metal Studs RH or LH	Each	22.50
M 15201D	71/73; RH Red	Each	28.23
M 15201E	71/73; LH Red	Each	28.23
M 15201F	71/73; Amber, Front RH	Each	28.23
M 15201G	71/73; Amber, Front LH	Each	28.23
<b>M 15201</b>	<b>Quarter Panel Marker Lamp Lens</b>		
M 15201H	69; RH or LH, Red	Each	15.10
M 15201I	70; RH, Amber	Each	23.50
M 15201J	70; LH, Amber	Each	23.50
<b>M 15209</b>	<b>Marker Lamp Seal</b>		
M 15209A	68; Front Fender Marker Lamp Lens Gasket	Pair	.96
M 15209B	70; Rear Marker Lamp Lens Gasket	Pair	.96
	<i>Note: Also See Part No. M 15447.</i>		
<b>M 15215</b>	<b>Front Fender Lens Side Lamp</b>		
M 15215A	69; RH or LH, White Lens	Each	21.70
M 15215B	68; Includes Lenses, Gaskets & Screws	Pair	30.25
M 15434	Socket & Wire Side Lamp		
M 15434A	70/73; 8" Long		24.79
<b>M 15440</b>	<b>Front or Rear Side Lamp Bezel</b>		
M 15440A	69; RH or LH, Front Fender or Body Side		
		Each	15.50
M 15440B	70; RH, Front Fender	Each	32.95
M 15440C	70; LH, Front Fender	Each	32.95
M 15440D	70; RH, Rear Quarter Panel	Each	38.33
M 15440E	70; LH, Rear Quarter Panel	Each	38.33
M 15440F	71/73; Rear	Pair	37.37
M 15440G	71/73; Front	Pair	37.37
<b>M 15447</b>	<b>Marker Lamp Seal</b>		
M 15447A	69; Front & Rear Marker Lamp to Body	Set of 4	1.46
M 15447B	70; Rear Marker Lamp to Body	Pair	1.52
M 15447C	71/73; Rear Marker Lamp to Body	Pair	1.52
	<i>Note: Also See Part No. M15209.</i>		

## Accelerator Linkage Spring Bracket

M 9741B	64/68; 2 BBL	Each	5.85
---------	--------------	------	------

## Back-Up Lamp & Related Parts



<b>M 15510</b>	<b>Backup Lamp Lens Gasket</b>		
M 15510A	65/70	Pair	1.88
<b>M 15511/12</b>	<b>Backup Lamp Body &amp; Socket Assembly</b>		
M 15511A	65/66; RH		22.17
M 15511B	67/68; RH		39.58
M 15512C	65/66; LH		22.17
M 15512D	67/68; LH		39.58
<b>M 15511/12</b>	<b>Backup Lamp Kit</b>		
M 15511AK	65/66	Kit	64.95
M 15511BK	67/68	Kit	64.95
M 15511CK	69/70	Kit	64.95
<b>M 15514</b>	<b>Backup Lamp Lens</b>		
M 15514A	65/68	Each	3.75
M 15514B	69/70	Each	9.95
	<i>See Page 125 For Attaching Parts Kits MHK 47.</i>		
<b>M 15520</b>	<b>Backup Lamp Switch</b>		
M 15520A	65/66; 4-Speed Transmission		49.95
M 15520B	65/66; With Standard 3-Speed Transmission		56.46
M 15520C	67/68; 4-Speed Transmission		53.95
M 15520E	69; 4-Speed Transmission		53.95
<b>M 15533</b>	<b>Backup Lamp to Body Seal</b>		
M 15533A	65/66; RH & LH	Pair	5.30
M 15533B	67/70; RH & LH	Pair	5.30

## Body Patch Panels

<b>Headlamp Inner Panel Bracket</b>			
MPP 123L	64/66; LH	Each	22.17
MPP 123R	64/66; RH	Each	22.17
	<i>See Page 125 For Attaching Parts Kits MHK 12 &amp; MHK 15.</i>		

## Attaching Hardware for this Section

MHK 12	Nut Kit, Tail Lamp Body, (Kit of 8), 65/66		6.01
MHK 14	Screws, Tail Lamp, Chrome, (Kit of 8), 65/66..		3.21
MHK 15	Screws, Headlamp, Stainless, (Kit of 8), 65/66		7.91
MHK 25	J-Nut, Headlamp, 65/66, (Kit of 8),		4.05
MHK 40	J-Nut, Tail Lamp Body, 65/66, (Kit of 4)		2.76
MHK 46	Screw Kit, Park Lamp Lens, 65/68, (Kit of 4) ..		2.18
MHK 47	Screw Kit, Backup Lamp Lens, 65/68, (Kit of 4)		2.18
MHK 157	Screw Kit, Headlamp Mounting, 65/66, (Kit of 6)		2.63
MHK 244	Grommet Kit, Fog Lamp Harness, 65/67, (Kit of 2)		2.51
MHK 245	Grommet, Fender Harness, 65/66	Each	2.51
MHK 246	Grommet Kit, Park Lamp Wire, 65/66, (Kit of 2)		2.76
MSP 359972	Spacer, Backup Lamp Housing Bolt; 65/66, (Set of 4)		6.67
MSP 372302	Clip; for use on the following wire looms- Trunk, Tail Lamp, Dome Lamp, Hood Turn Signal	Each	.61



# TURN SIGNAL & HORN

## Turn Signal Lever



M 13305	Turn Signal Indicator Lever	M 13305A	
M 13305A	65/66; Reproduction of Original		7.45
M 13305B	67/73; Reproduction of Original		7.02
M 13305C	67/73; Ford Replacement		15.20

### M 13318 Turn Signal Cam Repair Kit

M 13318A	64	10.05
M 13318B	65/66	10.05
M 13318C	67/71	10.05

### M 13318 Turn Indicator Cam

M 13318D	67; With Non-Collapsible Tilt Column; 68/69; With Tilt Steering Column	7.02
----------	---	------

### M 13341 Turn Signal Switch Assembly

M 13341A	65, With Generator	68.45
M 13341B	65/66, With Alternator	39.95
M 13341C	67, With Fixed Steering Column	84.95
M 13341D	67, With Tilt Steering Column	129.95
M 13341E	68, With Fixed Steering Column	96.50
M 13341F	68/69, With Tilt Steering Column	126.50
M 13341G	69, With Fixed Steering Column	86.95
M 13341L	73, Turn Signal Switch, tilt	95.50

### M 13342 Emergency Flasher Knob

M 13342A	67	9.04
----------	----	------

### M 13350 Turn Signal & Emergency Flasher Assembly

M 13350C	65/70; Turn Signal Flasher	5.95
M 13350F	65/72; Emergency Flasher	4.95

### M 13355 Hood Turn Signal Lamp Assembly

M 13355A	67/68 Each	49.44
M 13355B	69/70 Each	49.44

## Hood Mounted Turn Signal

The latest sequential light kit. Exclusively designed for the turn signal lights in the hoods and scoops of the 1967-68 Mustangs. Our newest kit features "Plug in and go" simplicity with color coded wires and one-way connectors. White LED's produce a highly visible light, even in daylight.

### M 13355 Hood Mounted Turn Signal

M 13355C	67/68; Sequential Style	Kit	50.45
M 13355D	69/70 Sequential Style	Kit	50.45

## Sequential Turn Signal Tail Lights

Straight forward instructions, color-coded wire harness. With the STL system installed, the turn signals at the tail panel will sequence from the inner to the outer lights. The brake lights will sequence once and stay on until the brake is released. All kits include control module & electronic flasher. All necessary mounting hardware included.

### M 13367 Sequential Turn Signal Tail Lights

M 13367A	65/66	171.65
M 13367B	67/68	171.65
M 13367C	69	171.65
M 13367C	70	171.65

### M 13357 Hood Turn Signal Wire Loom

M 13357B	67/68	28.23
M 13357C	69/70	44.39

### M 13368 Hood Turn Indicator Lens Gasket

M 13368A	67/68	Pair	.96
----------	-------	------	-----

## Horn Ring



M 13805	<b>Horn Ring</b>	M 13805A	
M 13805A	65/66, With Alternator, (Except Woodgrain Wheel)		90.34
M 13805B	64 1/2; With Generator, (Except Woodgrain Wheel)		90.34
M 13805C	65/67; Use With Woodgrain Wheel		59.54
M 13805D	68/69; Ring Only, 2-Spoke Wheel		61.56
M 13805E	67; Standard Horn Ring, less pad		60.55

### M 13807 Horn Ring Spring

M 13807A	65/66; (Except Woodgrain Wheel) 67/69; (Except Woodgrain Wheel, less speed control) 69; Boss	3.54
----------	--	------

## Horn Blowing Plate

### M 13808A 65/66; With Alternator,

	On Steering Wheel Horn Ring	14.50
M 13808B	65/67; Wood Wheel	60.55
M 13808C	68/70; Horn Contact Plate	Set 60.55

### M 13809 Horn Ring to Steering Wheel Retainer Plate

M 13809A	65; With generator	2.41
M 13809B	65/66; With alternator	2.41

### M 13813 Horn Blowing Ring Pressure Pad

M 13813A	65/66	2.78
----------	-------	------

### M 13814 Horn Panel Insert

M 13814A	68; Chrome	27.57
----------	------------	-------

## Horn Panel Buttons



### M 13815 Horn Panel Buttons

M 13815A	68; Kit Of 6 Pieces	30.00
----------	---------------------	-------

### M 13821 Horn Brush Kit

M 13821A	65; Generator Brush, Horn & Insulator Kit	7.76
----------	---	------

### M 13832/3 Horn Assembly

M 13832A	65/73; High Pitch (Ford replacement)	17.12
M 13833A	65/73; Low Pitch (Ford replacement)	17.12

See Page 125 For Attaching Parts Kit MHK 160.

### M 13867 Horn Blowing Contact & Spring Insulator

M 13867A	65/69; (Except Woodgrain Wheel)	Each	5.10
----------	---------------------------------	------	------

## Horn Rim Blowing Switch

### M 13875 Horn Rim Blowing Switch

M 13875A	69	Each	124.18
M 13875B	71/72	Each	124.18
M 13875C	70/73; Use With 2 Spoke Wheels	Each	84.79

### M 13890 Horn Contact Ring Insulator

M 13890A	65/67; 6-piece kit	Kit	14.95
----------	--------------------	-----	-------

### M 13891 Horn Ring Insulator Kit

M 13891A	65/67; Woodgrain Wheel	Set	16.11
----------	------------------------	-----	-------

### M 13903 Horn Ring Insulator

M 13903A	67		2.98
----------	----	--	------

### M 13915 Horn Blow Switch Vinyl Cover

M 13915A	70/73; Deluxe, Use With Wood Grain Trim Plate, Black	Each	25.20
----------	---	------	-------

### M 13932 Horn Blow Switch Trim Plate

M 13932A	70/73; Wood Grain Trim Plate, For 2 Spoke Deluxe Wheel	Each	28.50
----------	---	------	-------

### M 16720 Hood Mounted Turn Signal Insert

M 16720D	67/68; RH; Includes The Grille	Set	59.95
M 16721D	67/68; LH; Includes The Grille	Set	59.95

# BULBS & FUSES

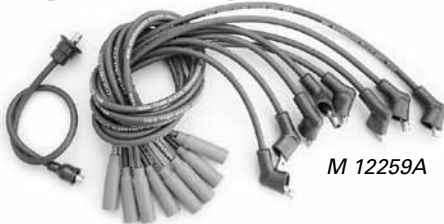
Sealed Beam Headlamp Bulb w/logo	2	65/65 69/70 70/72	All GT350/500 Hi/Low Beam	M 13007A	16.75
	2	69	Low Beam	M 13007B	13.25
	2	69	Hi Beam	M 13007C	13.25
Fog Lamp Bulb - Clear	2	All		M 15220A	17.25
Fog Lamp Bulb - Amber	2	All		M 15220B	15.25
Standard Equipment	Quantity	Model Year	Body Style	Part Number	Price Each
Back-Up Lamp	2	65/69	All	M 13465H	1.52 Each
Courtesy Lamp (Under Dash)	2	65/69	All	M 13465E	1.77 Each
Dome Lamp	1	67	Coupe	M 13465Q	.81 Each
	1	68/69	Coupe	M 13465F	1.26 Each
Front Parking & Turn Indicator	2	65/67	All	M 13465J	.81 Each
	2	68/69	All	M 13465K	1.97 Each
Front Side Marker Lamp	2	68/69	All	N/A	N/A
Hood Mounted Turn Indicator	2	67/69	GT & Mach I	M 13465Q	.81 Each
License Plate Lamp	1	65/66	All	M 13465I	1.52 Each
	1	67/69	All	M 13465B	.81 Each
Rear Lamp - Stop/Turn Indicator	2	65/69	All	M 13465J	.81 Each
Rear Side Marker Lamp	2	69	All	M 13465C	.81 Each
Instrument Panel					
Glove Box Lamp	1	65/66 & 68	All	M 13465Q	.81 Each
	1	67	All	M 13465L	.81 Each
	1	69	All	M 13465N	.81 Each
Heater Control	1	66 & 69	All	M 13465Q	.81 Each
Hi-Beam Indicator	1	66/68	All	M 13465Q	.81 Each
	1	69	All	M 13465C	.81 Each
Ignition Switch Lamp	1	69	All	M 13465Q	.81 Each
Instruments	7-13	65/68	All	M 13465Q	.81 Each
	8	69	All	M 13465C	.81 Each
Seat Belt Warning Lamp	1	66 & 69	All	M 13465Q	.81 Each
Turn Signal Indicator - Left/Right	2	69	All	M 13465C	.81 Each
Warning Lamps - (Oil/Gen.)	2	67	All	M 13465Q	.81 Each
Warning Lamps - (Oil/Alt./Brakes)	3	68	All	M 13465Q	.81 Each
	2	69	All	M 13465C	.81 Each
Optional Equipment					
AutoTrans. Control Selector Shifter	1	66 & 68/69	All	M 13465P	.96 Each
	1	67	All	M 13465L	.81 Each
Cigar Lighter	1	67	All	M 13465Q	.81 Each
Clock	1-2	66/69	All	M 13465Q	.81 Each
Conv. Safety Package					
(Seat Belt, Low Fuel, Door Ajar, Park Brake)	2-6	67/69	All	M 13465Q	.81 Each
Courtesy Lamp - (Console)	2	65	All	M 13465L	.81 Each
	1	66/68	All	M 13465M	.96 Each
Courtesy Lamp - (Door)	2	65/66	All	M 13465G	1.26 Each
Courtesy Lamp - (Rear Interior Quarters)	2	65/69	Fastback	M 13465F	1.26 Each
Engine Compartment Lamp	1	68/69	All	M 13465E	1.77 Each
Fog Lamp	2	65/69	All	Use #M 15220A/B	
Fog Lamp Switch	1	69	All	M 13465A	1.01 Each
Glove Box Lamp - (Console)	1	65	All	M 13465L	.81 Each
	1	66/69	All	M 13465Q	.81 Each
Illuminated Emblem	1	67/68	All	M 13465F	1.26 Each
Luggage Compartment Lamp	1	68/69	All	M 13465E	1.77 Each
Parking Brake Release Warning Light	1	65/67	All	M 13465D	2.02 Each
Portable Trunk Lamp	1	67/69	All	M 13465F	1.26 Each
Radio Pilot Light - (Standard)	1	65/66	All	M 13465N	.81 Each
	1	67/69	All	M 13465P	.96 Each
Radio - AM/FM Stereo Light	1	69	All	M 13465O	.96 Each
Rally Pac - Clock	1	66	All	M 13465M	.96 Each
Rally Pac - Tachometer	1	66	All	M 13465Q	.81 Each
Turn Signal Indicator - (Hood Scoop Mount)	2	69	Mach I	M 13465A	1.01 Each
Turn Signal Indicator - Left/Right	2	67/69	All	M 13465Q	.81 Each

## Fog Lamp Wire Loom

M 8392A 65/67; Consists of all the wires needed to install GT-Type Fog Lamps; Correct Grommet & Wire Color..... 46.95  
 Note: Refer to #M 15214 (Listed Below) for Fog Lamp Switch.  
 See Page 125 For Attaching Parts Kit MHK 244.



## Spark Plug Wire Set



M 12259A

M 12259A	65/68; 8 Cylinder, 289, as original .....	48.95
M 12259B	67/73; 8 Cylinder (exc. 1967 289 & 1973 302).....	38.25
M 12259C	65/67; All 8 Cylinder (except 390).....	38.25
M 12259D	73; 302.....	38.75
M 12259E	65/73; All, 6 Cylinder.....	27.65
<b>Pertronix Spark Plug Wires - 7.0mm "Stock Look"</b>		
M 12259F	65/73; 6 Cylinder..... Set	39.95
M 12259G	65/71; 289 & 302..... Set	39.95
M 12259H	67/71; 251, 390, 428 & 429 72/73; 351 & 302 Clevelands..... Set	40.35

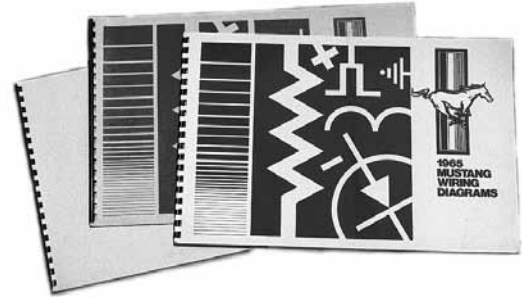
## Engine Compartment Wire Loom Clip Kits



If you are tired of wiring that doesn't want to stay in place or your current clips, duct tape etc. isn't doing the job, a proper clip kit is the solution. Our Engine Compartment Clip Kits are specifically designed for each year (as listed) and contain all necessary Clips, Straps and Anchors needed to safely secure your Mustang's engine compartment wiring harnesses. A safe and cost-effective way to protect your Mustang's wiring and electrical system!

M 14000AK	65/66 .....	9.59
M 14000BK	67 .....	18.16
M 14000CK	68 .....	18.16
M 14000DK	69 .....	21.37

## Wire Your Mustang the Proper Way with Our Wiring Diagram Manual!



Use our Mustang Wiring Diagram Manuals to direct you through the sometimes tricky parts of automotive electrical wiring. Each manual contains wiring diagrams or schematics for your year Mustang.

MLT WD64	1964 .....	7.50
MLT WD65	1965 .....	7.50
MLT WD66	1966 .....	7.50
MLT WD67	1967 .....	7.50
MLT WD68	1968 .....	6.75
MLT WD69	1969 .....	6.75
MLT WD70	1970 .....	6.75
MLT WD71	1971 .....	6.75
MLT WD72	1972 .....	6.75
MLT WD73	1973 .....	6.75

### M 13357 Hood Turn Signal Wire Loom

M 13357B	67/68 .....	28.23
M 13357C	69/70 .....	44.39

## Rear Lamp Wiring Assembly

M 13408A	65/66; Extension Plug .....	18.13
----------	-----------------------------	-------

### M 13712 Wire Loom Console Feed

M 13712A	65/66 .....	22.22
----------	-------------	-------

## Door Lamp Wire Loom Assembly

M 13769	Wire Loom - Door Light	
M 13769A	65/66; Pony Interior, Door light only .....	Each 22.17
M 13769B	65/66; Pony Interior, Door light & Speaker.....	Each 32.27
M 13769C	67; Deluxe Interior, Door light & Speaker.....	Each 32.32

### M 14289 Dash to Engine Gauge Feed Wire Loom

M 14289A	64 1/2; 6 Cylinder, With Generator.....	35.30
M 14289B	64 1/2; 8 Cylinder, With Generator.....	35.30
M 14289C	65; 6 Cylinder, with alternator and lights.....	30.25
M 14289D	65; 8 Cylinder, with alternator and lights.....	30.25
M 14289E	65; 8 Cylinder, with alternator and gauges.....	35.30
M 14289F	65; 6 Cylinder, with alternator and gauges.....	35.30
M 14289G	66; All .....	35.30
M 14289H	69; 8 Cylinder, Small Block.....	22.17
M 14289I	67/68; 289, 302, 351, without tachometer .....	22.17
M 14289J	67/68; 289, 302, 351, with tachometer .....	22.17
M 14289K	67/68; 6 Cylinder, .....	22.17
M 14289L	67/68; 390, 427, 428 .....	22.17
M 14289M	69/70; 6 Cylinder .....	22.17
MSP376914	Plastic Wrap; To Attach Wire Looms.....	Each .59

# WIRING

<b>M 14290</b>	<b>Firewall to Headlamp Junction Wire Loom</b>		
M 14290A	64 1/2; All .....	65.60	
M 14290B	65; with warning lamps.....	95.90	
M 14290C	65; with gauges (includes fog lamp wire hook-up).....	111.05	
M 14290E	66; From 11/15/65.....	95.90	
M 14290F	67; without tachometer, without fog lamps .....	151.45	
M 14290G	67; without tachometer, with fog lamps .....	161.55	
M 14290H	67; with tachometer, without fog lamps.....	176.70	
M 14290I	67; with tachometer, with fog lamps.....	186.80	
M 14290J	68; without tachometer, without fog lamps .....	166.60	
M 14290K	68; without tachometer, with fog lamps .....	186.80	
M 14290L	68; with tachometer, without fog lamps.....	191.85	
M 14290M	68; with tachometer, with fog lamps.....	212.05	
MSP376914	Plastic Wrap; To Attach Wire Looms.....	Each	.65

## Battery & Starter Cable Kit

<b>M 14300</b>	<b>Battery &amp; Starter Cables - Kit</b>		
M 14300A	65/66; 6 Cylinder .....	Set	69.95
M 14300B	65/66; 8 Cylinder .....	Set	69.95
M 14300C	67; All .....	Set	69.95
M 14300D	68/69; All (Except 428 CJ).....	Set	69.95
M 14300E	70/71; All .....	Set	69.95
M 14300F	72/73; All .....	Set	69.95

\*Note: Sets Include Exact Reproduction of Positive (+) & Negative (-) Battery Cables & Starter to Solenoid Cable.

## Battery Cable Kit

M 14301A	65/66; 289, Includes Brackets. Exact reproduction of Positive & Negative battery cables & starter to solenoid cable with installation brackets and grommets.....	73.95
----------	--	-------

<b>M 14303</b>	<b>Engine Ground Strap</b>		
M 14303A	65/66; Ground Strap, Engine To Firewall.....	10.66	
<b>M 14305</b>	<b>Alternator to Starter Voltage Reg. Relay Wire Loom</b>		
M 14305A	64 1/2, 6 Cylinder .....	60.55	
M 14305B	65, 6 Cylinder, warning lamps .....	22.73	
M 14305C	65, 6 Cylinder, with gauges.....	22.73	
M 14305D	66, 6 Cylinder .....	22.17	
M 14305E	64 1/2, 8 Cylinder .....	60.55	
M 14305F	65, 8 Cylinder, warning lamps .....	22.73	
M 14305G	65, 8 Cylinder, with gauges.....	22.73	
M 14305H	66, 8 Cylinder .....	22.73	
M 14305I	67, 289, without tachometer .....	22.73	
	68, 289, 302, without tachometer .....	22.73	
M 14305J	67/68, 6 Cylinder, without tachometer .....	22.17	
M 14305K	67/68, Small Block, with tachometer .....	30.25	
M 14305L	67/68, 390, 427, 428, with tachometer.....	30.25	
M 14305M	69, All, without tachometer.....	25.20	
M 14305N	69, All, with tachometer .....	50.45	
MSP 376914	Plastic Wrap; to Attach Wire Looms.....	Each	.65

## Ignition Switch Pigtail

M 14313A	65/67 .....	<b>NEW</b>	Each	25.95
M 14313B	68/69 .....	<b>NEW</b>	Each	34.95

<b>M 14322</b>	<b>Wire Loom - Oil Pressure Sending Unit</b>		
M 14322A	289; With Gauges.....	7.58	
<b>M 14402</b>	<b>Wire Loom - Instrument Cluster</b>		
M 14402A	67; Without Tach .....	98.75	
M 14402B	67; With Tach .....	105.50	

## Replacement Underdash Wiring Looms

We supply enthusiasts with Wiring Looms that are an easy way to replace worn out harnesses or wiring that is in need of constant repair. The loom plugs into existing original-style receptacles for: Tail Lights, Dash Gauges, Ignition, Firewall, Steering Column, Interior Lights, Radio, Dimmer Switch, Brake Lamps, Cigarette Lighter, Courtesy Lamps, Headlamps, etc.

M 14401A	65-Early; With Warning Lights, 2-Speed Heater Motor, Tag Marked "M", Before 4/1/65.....	403.95
M 14401B	65-Late; With Warning Lights, 3-Speed Heater Motor, Tag Marked "N", After 4/1/65 .....	403.95
M 14401C	65; With Gauges, 3-Speed Heater Motor, Tag Marked "G" .....	403.95
M 14401D	66; All .....	403.95
M 14401E	67; Std., No foglamps, tach or GT.....	550.45
M 14401F	67; With tach only.....	550.45
M 14401G	67; With fog lamps only .....	555.50
M 14401H	67; With fog lamps, tach and GT .....	565.60

Note: The Underdash Looms Do Not include Dash Instrument Cluster Wiring. If needed, please see part numbers M 14402A & B.

<b>M 14405</b>	<b>Tail Lamp Wire Loom</b>		
M 14405A	64 1/2 /66; Dash To Tail Lamp; (Coupe & Convertible).....	80.75	
M 14405B	65/66, Dash To Tail Lamp, (Fastback).....	90.85	
M 14405C	67; All.....	121.15	
M 14405D	68; (Coupe & Convertible) .....	121.15	
M 14405E	68; (Fastback) .....	126.20	
M 14405F	69 .....	181.75	
M 14405G	68/70; For Sequential Lights Only .....	Each	198.95

\*Note: For 67/68 Taillamp Harnesses, the lamp sockets must be reused.

## Glove Box Lamp Assembly



M 14413A	65/66.....	20.15
----------	------------	-------

<b>M 15006</b>	<b>Rally Pack Feed Wire Loom</b>		
M 15006A	65/67 .....	25.20	
<b>M 15026</b>	<b>Rally Pac Clock Wire Loom</b>		
M 15026A	64 1/2/66.....	25.20	
<b>M 15669</b>	<b>Power Top Wire Loom</b>		
M 15669A	65/66; Wire Loom power top under hood.....	16.11	
<b>M 15808</b>	<b>Auto Transmission Shift Light</b>		
M 15808A	67/68; Without Console .....	46.95	
M 15808B	67/68; With Console.....	46.95	
M 15808C	65/66 .....	46.95	
<b>M 17622</b>	<b>Windshield Washer Motor Wire</b>		
M 17622A	64 1/2/65; Single-Speed Motor .....	6.25	
M 17622B	66; Single-Speed Motor .....	10.25	
M 17622C	66; 2-Speed Motor.....	12.07	
<b>M 19945</b>	<b>Air Conditioning Wire Loom</b>		
M 19945A	65/66; Air Conditioning Wire Loom, Including Fuse .....	20.15	
M 19945B	67 .....	48.43	

## Attaching Hardware for this Section

MHK 206	Clamp, Under Dash Wiring; 65/66.....	Each	3.78
MSP 372047	Clip, Conv. Top Control Wire Loom; (5 Req.).....	Each	3.37
MSP 372302	Clip, For use on the following wire looms: Trunk, Tail Lamp, Dome Lamp & Hood Turn Signal .....	Each	.65
MSP 376914	Plastic Wrap; to attach wire looms under hood and trunk.....	Each	.59
MSP 379061	Clip, Door Speaker/Courtesy Lamp Loom, 65/66, (6 Required).....	Each	.61

# FENDERS & HOOD AREA

## Use a Cowl Cap to Help Prevent Rust & Corrosion



The cowl area on Mustangs seems to be a magnet for water, leaves, dirt and eventually rust. You can help fight off the buildup of these elements by using a Cowl Cap. These tough acrylic caps fit over the slots on the hood area in front of the windshield, keeping out unwanted debris. Cowl Caps are easy to install. No drilling is required. Simply tighten wing-type hardware between slots and you are set. Bottom side of cap has soft foam layer to prevent scratches. This is a great investment to help ward off costly rust repair\*.

M 02010A	65/66 Cowl Cap .....	30.25
M 02010B	67/68 Cowl Cap .....	30.25

\*See Page 52 For Cowl Repair Kit #M 01936/7A.

**M 00106 Airfoil Front Spoiler**  
See Part Number **M 00174** Listing Below.

<b>M 00174 Airfoil Front Spoiler</b>		
M 00174A	69; (Fastback) Kit, includes attaching parts .....	69.95
M 00106A	70; (Fastback) Boss, black plastic .....	65.00
M 00106B	71/73; (Fastback) Boss .....	69.95

## Firewall Panel

M 01610A	65/66 All Bodys But Must Be Trimed to Fit the Convertible .....	Each	193.95
M 01610B	67/68 All Bodys But Must Be Trimed to Fit the Convertible .....	Each	232.95
M 01610C	69/70 All Bodys .....	Each	237.95

Note: These parts are large and require additional shipping.

## Cowl Grille Panel Assembly

M 02010F	65/66; Includes Top & Bottom Panels .....	375.95
M 02010G	67/68; Includes Top & Bottom Panels .....	375.95
M 02010H	69/70; Includes Top & Bottom Panels .....	375.95



**Quantity Discounts!**  
5% On Orders Over \$500.00  
10% On Orders Over \$1000.00

## Cowl Side Panel

M 02043B	67/68; RH .....	Each	38.95
M 02044B	67/68; LH .....	Each	38.95
M 02043C	69/70; Outer RH .....	Each	40.95
M 02044C	69/70; Outer LH .....	Each	40.95



**M 13008 Headlamp Bucket Assembly**

M 13008A	65/66; RH .....	117.11
M 13008B	65/66; LH .....	117.11
M 13008C	67/68; RH (exc GT350/500) .....	145.00
M 13008D	67/68; LH (exc GT350/500) .....	145.00
M 13008E	69; RH .....	272.65
M 13008F	69; LH .....	272.65
M 13008G	70; RH .....	380.52
M 13008H	70; LH .....	380.52

## Headlamp Bucket Grill Trim



M 13008GT	65/66; Chrome .....	Pair	34.95
-----------	---------------------	------	-------

## Headlamp Door



**M 13064 Headlamp Door**

M 13064A	65/66; LH .....	Each	25.25
M 13064B	65/66; RH .....	Each	25.25
M 13064C	67/68; RH or LH (Except GT350/500) .....	Each	18.95
M 13064D	69; Outer Headlight Rim-Chrome, RH or LH .....	Each	34.95
M 13064E	69; Inner Headlight Door, Black .....	Pair	54.49
M 13064F	70; Black .....	Pair	54.49
M 13064G	71/72; RH .....	Each	52.47
M 13064H	71/72; LH .....	Each	52.47

## Hood Turn Signal Lamp



M 13355A	67/68....Each	49.44
M 13355B	69/70....Each	49.44

## Hood Mounted Turn Signal

The latest sequential light kit. Exclusively designed for the turn signal lights in the hoods and scoops of the 1967-68 Mustangs. Our newest kit features "Plug in and go" simplicity with color coded wires and one-way connectors. White LED's produce a highly visible light, even in daylight.

**M 13355 Hood Mounted Turn Signal**

M 13355C	67/68; Sequential Style .....	Kit	50.45
M 13355D	69/70 Sequential Style .....	Kit	50.45

# FENDERS & HOOD AREA

<b>M 13357 Hood Turn Signal Wire Loom</b>	
M 13357B 67/68 .....	28.23
M 13357C 69/70 .....	44.39
<b>M 13368 Hood Turn Indicator Lens Gasket</b>	
M 13368A 67/68 .....	Pair .96

## Marker Lamp

M 15201B 68; Complete Lamp Assembly includes Mounting Hardware .....	Pair	139.95
M 15201F 71/73 Amber, Front RH .....	Each	28.23
M 15201G 71/73 Amber, Front LH.....	Each	28.23
M 15201J 70; RH, Amber.....	Each	23.50
M 15201K 70; LH, Amber.....	Each	23.50

<b>M 15209 Marker Lamp Seal</b>	
M 15209A 68; Front Fender Marker Lamp Lens Gasket ...	Pair .96
<i>Note: Also See Part #M 15447.</i>	

<b>M 15215 Front Fender Lens Side Lamp</b>	
M 15215A 69; RH or LH, White Lens .....	Each 21.70
M 15215B 68; Includes Lenses, Gaskets & Screws.....	Pair 30.25

<b>M 15440 Front or Rear Side Lamp Bezel</b>	
M 15440A 69; RH or LH, Front Fender or Body Side .....	Each 15.50
M 15440B 70; RH, Front Fender .....	Each 32.95
M 15440C 70; LH, Front Fender.....	Each 32.95
M 15440G 71/73; Front.....	Pair 37.37

<i>Note: See Page 99 "M15440" for Rear Quarter Panel Lamps</i>	
<b>M 15447 Marker Lamp Seal</b>	
M 15447A 69; Front & Rear Marker Lamp to Body.....	Set of 4 1.46

<b>M 15808 Shift Indicator Lamp</b>	
M 15808A Late 67/68 Without Console.....	Each 46.95
M 15808B Late 67/68 With Console .....	Each 46.95

## Front Fenders

<b>M 16005 *Front Fender - Right Hand &amp; Left Hand Sides</b>	
M 16005A 65/66; RH.....	159.95
M 16006A 65/66; LH .....	159.95
M 16005B 67; RH.....	171.65
M 16006B 67; LH.....	171.65
M 16005C 68; RH.....	189.95
M 16006C 68; LH .....	189.95
M 16005D 69; (Except Shelby GT350/500 and Boss); RH .	235.00
M 16006D 69; (Except Shelby GT350/500 and Boss); LH..	235.00
M 16005E 70; (Except with F70X14 or F60X15 and Boss 429 & Shelby GT350/500); RH .....	235.00
M 16006E 70; (Except with F70X14 or F60X15 and Boss 429 & Shelby GT350/500); LH.....	235.00
M 16005F 65/66; RH (See Note).....	375.00
M 16006F 65/66; LH (See Note).....	375.00
M 16005G 71/72; RH.....	Each 378.70
M 16006G 71/72; LH .....	Each 378.70
M 16005H 73; RH.....	Each 378.70
M 16006H 73; LH .....	Each 378.70

*Note: These fenders are produced from the original Ford tool and are the same gauge and quality as the ones made by Ford. They are drop shipped direct from the supplier and must be sent freight collect. NO COD'S, NO EXCEPTIONS.*

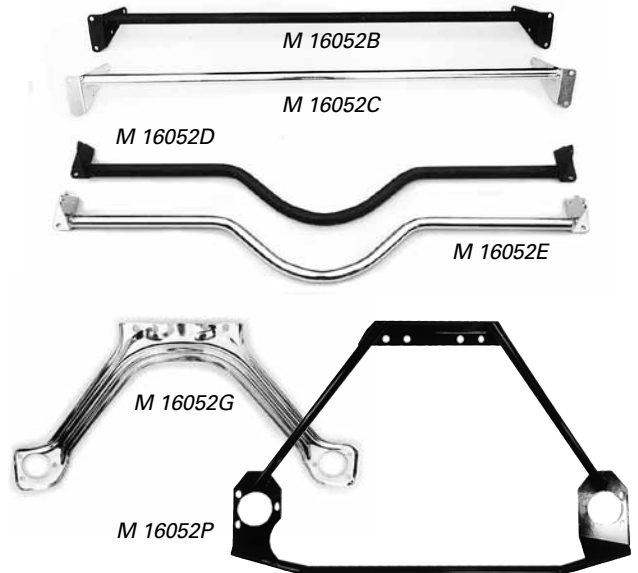
MSP35961365/66; Nut - Lower Inside Of Fender .....	Each 3.99
*Fenders Must Be Shipped By Truck Freight Collect.	
See Page 125 For Attaching Parts Kits MHK 21, 43, 94, 245, 246, 531, & 534.	

<b>M 16038/9 Front Fender Moulding • RH &amp; LH Sides</b>	
M 16038A 67/68; RH .....	23.51
M 16039A 67/68; LH .....	23.51
M 16038B 69; (Fastback, Exc. Mach I; Coupe & Convertible) RH	23.51
M 16039B 69; (Fastback, Exc. Mach I; Coupe & Convertible) LH	23.51
M 16038C 70; (Fastback, Exc. Mach I; Coupe & Convertible) RH	23.51
M 16039C 70; (Fastback, Exc. Mach I; Coupe & Convertible) LH	23.51

<b>Front Fender Apron</b>	
MPP 116R 65/66; RH, Front Section .....	27.22
MPP 116L 65/66; LH, Front Section .....	27.22
MPP 216R 67/68; RH, Front Section .....	43.38
MPP 216L 67/68; LH, Front Section.....	29.24

<b>M 16074/5 Front Fender Moulding • Front Extension</b>	
M 16074A 70; RH.....	88.83
M 16075A 70; LH.....	88.83

**Our Monte Carlo Bar and Export Brace adds needed Support and Stability to help tune your Mustang's suspension!**



Export Braces & Monte Carlo Bars help keep front fenders aligned properly and shock towers rigid during any type of cornering in your Mustang. When used together the Export Braces and Monte Carlo Bars create stability that will be noticed by most any driver.

<b>M 16052 Monte Carlo Bar</b>	
M 16052B 65/66; Straight; Painted Finish.....	19.14
M 16052C 65/66; Straight; Chrome Finish.....	25.20
M 16052D 65/66; Curved; Painted Finish .....	27.22
M 16052E 65/66; Curved; Chrome Finish .....	35.30
M 16052H 67/68; Straight; Black Finish.....	21.95
M 16052I 67/68; Straight; Chrome Finish.....	26.50
M 16052J 67/68; Curved; Black Finish .....	28.50
M 16052K 67/68; Curved; Chrome Finish .....	35.30
M 16052N 71/73; Straight; Black Finish.....	45.00

*\*Note: These bars will work on 68/70 Mustangs, but you must re-drill top flange rear holes.*

<b>M 16052 Export Brace - Improved One-Piece Design!</b>	
M 16052F 65/70; Painted Finish.....	42.95
M 16052G 65/70; Chrome Finish.....	55.50
M 16052P 65/66; This is a solid frame 3 point export brace which will add more stability to the engine compartment.....	99.95

<b>M 16053 Export Brace</b>	
M 16053B 67/68; Stock Original Style.....	Pair 42.95
M 16053C 69/70; Stock Original Style.....	Pair 42.95
M 16053D 71/73; Stock Original Style.....	Pair 54.95

## Attaching Hardware for this Section

MSP 378685 Fender to Cowl Bolt; 65/66.....	Each 2.95
--	-----------

# FENDERS & HOOD AREA

## Complete Emblem Kits



- M 16099AK 64 1/2; 6 Cylinder (Coupe & Convertible)**  
Kit Includes: (1 Set) "FORD" Hood Letters, (2) 4 1/2" "MUSTANG" Fender Emblems & (2) Running Horse Fender Emblems. Includes All Necessary Attaching Parts ..... 40.29
- M 16099BK 64 1/2; 8 Cylinder (Coupe & Convertible)**  
Kit Includes: (1 Set) "FORD" Hood Letters, (2) "260" Fender Emblems, (2) 4 1/2" Fender Emblems & (2) Running Horse Fender Emblems. Includes All Necessary Attaching Parts..... 57.58
- M 16099CK 65/66; 6 Cylinder (Coupe & Convertible)**  
Kit Includes: (1 Set) "FORD" Hood Letters, (2) 4 7/8" "MUSTANG" Fender Emblems & (2) Running Horse Fender Emblems. Includes All Necessary Attaching Parts ..... 40.29
- M 16099DK 65/66; 6 Cylinder (Fastback)**  
Kit Includes: (1 Set) "FORD" Hood Letters, (2) "MUSTANG 2 + 2" Fender Emblems & (2) Running Horse Fender Emblems. Includes All Necessary Attaching Parts ..... 38.75
- M 16099EK 65/66; 8 Cylinder (Coupe & Convertible)**  
Kit Includes: (1 Set) "FORD" Hood Letters, (2) 4 7/8" "MUSTANG" Fender Emblems, (2) "289" Fender Emblems & (2) Running Horse Fender Emblems. Includes All Necessary Attaching Parts..... 57.38
- M 16099FK 65/66; 8 Cylinder (Fastback)**  
Kit Includes: (1 Set) "FORD" Hood Letters, (2) "MUSTANG 2 + 2" Fender Emblems, (2) "289" Fender Emblems & (2) Running Horse Fender Emblems. Includes All Necessary Attaching Parts..... 52.43
- M 16099GK 65; 8 Cylinder "GT" (Fastback, Coupe & Conv.)**  
Kit Includes: (1 Set) "FORD" Hood Letters, (2 Sets) "MUSTANG" Fender Letters, (2) "289" Fender Emblems & (2) Ceramic "GT" Fender Emblems. Includes All Necessary Attaching Parts ..... 75.95
- M 16099HK 66; 8 Cylinder "GT" (Fastback, Coupe & Conv.)**  
Kit Includes: (1 Set) "FORD" Hood Letters, (2 Sets) "MUSTANG" Fender Letters, (2) "289" Fender Emblems & (2) Plastic "GT" Fender Emblems. Includes All Necessary Attaching Parts..... 75.95
- M 16099IK 67; 6 Cylinder**  
Kit Includes: (1 Set) "FORD" Hood Letters, (3 Sets) "MUSTANG" Fender & Trunk Letters & (2) Running Horse Fender Emblems. Includes All Necessary Attaching Parts ..... 75.95
- M 16099JK 67; 8 Cylinder (289)**  
Kit Includes: (1 Set) "FORD" Hood Letters, (3 Sets) "MUSTANG" Fender & Trunk Letters & (2) "289" w/Running Horse Fender Emblems. Includes All Necessary Attaching Parts..... 68.95
- M 16099KK 68; 6 Cylinder**  
Kit Includes: (1 Set) "MUSTANG" Trunk Letters, (2 Sets) "MUSTANG" Fender Scripts & (2) Running Horse Fender Emblems. Includes All Necessary Attaching Parts ..... 49.95
- M 16099LK 68; 8 Cylinder (302)**  
Kit Includes: (1 Set) "MUSTANG" Trunk Letters, (2 Sets) "MUSTANG" Fender Scripts & (2) "302" w/Running Horse Fender Emblems. Includes All Necessary Attaching Parts..... 59.95



## Front Fender Emblems

- M 16098A 64 1/2/65; "Mustang" (Coupe & Convertible) w/generator 4 1/2" long. Includes Fastener **1**..... 9.59
- M 16098B 65/66; "Mustang" (Coupe & Convertible) with alternator, (Except GT), 4 7/8" long. Includes Fastener **1**..... 8.52
- M 16098C 65/66; "Mustang 2 + 2", (Fastback - except GT) Includes Fastener **1**..... 9.59
- M 16098D 65/66; "GT" Ceramic, Before 10/1/65. Includes Fastener **1**..... 12.75
- M 16098G 67; "GT" Emblem ..... Each 23.50
- M 16098H 67; "GTA" Emblem. Includes Fastener..... Each 42.37
- M 16098I 68; "Mustang" (Except GT), Includes Fastener **2** 68; "GT/CS" Fenders & Rear Deck. Includes Fastener **2**..... 9.50
- M 16098J 68; "GT", Includes Fastener **3**..... 20.15
- M 16098L 69/73; "Mustang", Includes Fastener **2**..... 10.50
- M 16098M 68; "Cobra" Nameplate, Without Snake, Stick-On Type ..... 14.65
- Note: For "MUSTANG" Letters See Part Number 40282.

- |          |                                   |      |     |
|----------|-----------------------------------|------|-----|
| <b>1</b> | MSP378362; Small Barrel Nut.....  | Each | .38 |
| <b>2</b> | MSP353577; Medium Barrel Nut..... | Each | .38 |
| <b>3</b> | MSP375480; Large Barrel Nut.....  | Each | .40 |

# FENDERS & HOOD AREA



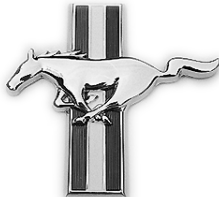
M 16228B



M 16228C



M 16228D



M 16229N



M 16228F



M 16229P



M 16228H



M 16228I

M 16228A	65/66; "260"; Includes Fastener <b>3</b> .....	8.83
M 16228B	65/66; "289" Includes Fastener <b>3</b> .....	8.75
M 16228C	65/66; "High Performance" Includes Fastener <b>3</b> .....	9.45
M 16228D	65/68; RH, "Running Mustang" Includes Fastener <b>2</b> .....	4.95
M 16228E	65/68; RH, "Running Mustang" with original-type mounting studs, Includes Fastener <b>1</b> .....	8.52
M 16228F	67/68; RH, "289", Includes Fastener <b>2</b> .....	10.05
M 16228G	67/68; RH, "390" With Running Mustang Includes Fastener <b>1</b> .....	17.25
M 16228H	68; RH "302"(except GT/CS), Includes Fastener <b>1</b> .....	11.95
M 16228I	Cobra Snake; Stick-On Type .....	18.85
M 16229N	65/68; LH "Running Mustang"; Includes Fastener <b>2</b> .....	4.95
M 16229O	65/68; LH "Running Mustang" with original-type mounting studs, Includes Fastener <b>1</b> .....	8.52
M 16229P	67/68; LH, "289", Includes Fastener <b>2</b> .....	10.05
M 16229Q	67/68; LH, "390", With Running Mustang Includes Fastener <b>1</b> .....	17.25
M 16229R	68; LH, "302"(except GT/CS), Includes Fastener <b>1</b> .....	12.07

<b>1</b>	MSP378362; Small Barrel Nut.....	Each	.38
<b>2</b>	MSP353577; Medium Barrel Nut.....	Each	.38
<b>3</b>	MSP375480; Large Barrel Nut.....	Each	.40

<b>M 16102</b>	<b>Front Fender Splash Shield • RH &amp; LH Sides</b>	
M 16102A	65/66; Front • RH.....	12.50
M 16103A	65/66; Front • LH.....	12.50
M 16102B	65/66; Rear • RH.....	14.50
M 16103B	65/66; Rear • LH.....	14.50
M 16102C	67/68; Front • RH.....	10.50
M 16103C	67/68; Front • LH.....	10.50
M 16102D	67/68; Rear • RH.....	12.07
M 16103D	67/68; Rear • LH.....	12.07

<b>M 16130</b>	<b>Front Fender Extension Seal</b>	
M 16130A	70; Cut To Size.....	5.09

<b>M 16138</b>	<b>Radiator Support</b>	
M 16138A	65/66.....	135.50
M 16138B	67/68.....	135.50
M 16138C	69.....	145.00
M 16138D	70.....	149.95
M 16138E	71/73.....	165.00

## Front Fender Extension Trim

M 16160/1	Front Extension Trim	Each	59.95
M 16160A	71/73; Chrome, RH.....	Each	59.95
M 16161A	71/73; Chrome, LH.....	Each	59.95
M 16160B	71/73; Painted, RH.....	Each	49.95
M 16161B	71/73; Painted, LH.....	Each	49.95

<b>M 16238</b>	<b>Radiator Support to Hood Seal</b>	
M 16238A	65/68; Rubber.....	5.95

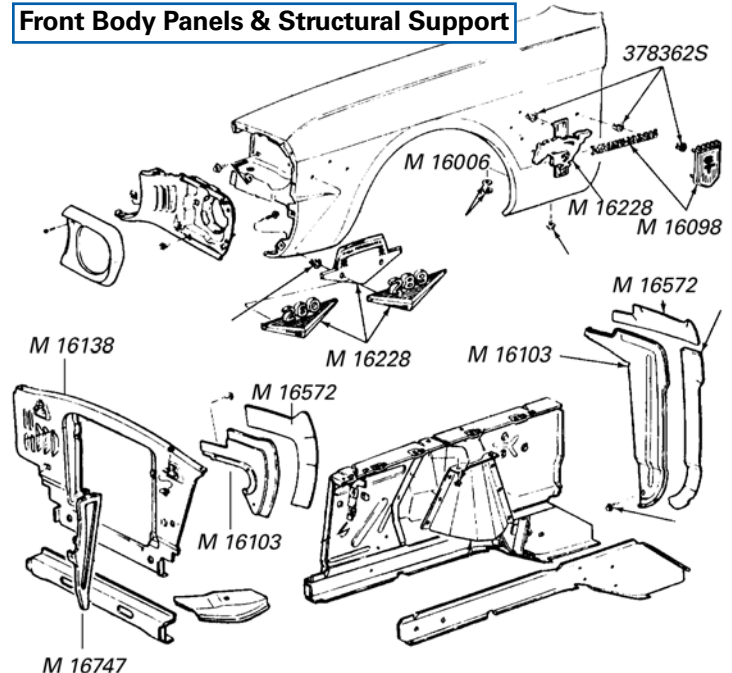
<b>M 16246</b>	<b>Fender to Body Pillar Pad</b>		
M 16246A	65/66; These pads fit near the cowl to prevent rattling. 2 Required.....	Each	.96

<b>M 16257</b>	<b>Splash Shield Bracket</b>		
M 16257A	67/70; Front Fender, Rear Splash Shield.....	Pair	5.45

<b>M 16554</b>	<b>Fender to Bumper Filler</b>		
M 16554A	71/72; Front, With Chrome Bumper .....	Pair	50.45

<b>M 16572</b>	<b>Splash Shield Rubber Kit</b>	
M 16572A	65/66; Includes Staples For Installation .....	14.46
M 16572B	67/68; Includes Staples For Installation .....	16.01

## Front Body Panels & Structural Support





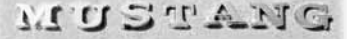
# FENDERS & HOOD AREA

## Hood, Trunk & Fender Letters

M 16606E	67; "FORD" Complete Set w/Fasteners (Hood) .....	Set	9.95
M 40282Q	65/66; "FORD" Complete Set w/Fasteners (Hood).....	Set	10.95
M 40282R	65/71, "MUSTANG" Letters; Full Set with Pins (Fender or Trunk) Includes Fasteners.....	Set	15.95
MSP 378362	Small Barrel Nut .....	Each	.38



M 16606E Hood Letters



M 40282R Fender or Trunk



M 40282Q Hood Letters

### M 16600 Hood Weatherstrip & Bumper Kits

M 16600A	65/66; Kit Includes: (1) Cowl Seal, (1) Radiator Support Seal & (6) Hood Bumpers.....	23.51
M 16600B	67/68; Kit Includes: (1) Cowl Seal, (1) Radiator Support Seal & (6) Hood Bumpers.....	23.51
M 16600C	69; Kit Includes: (1) Cowl Seal & (6) Hood Bumpers	23.51
M 16600D	70; Kit Includes: (1) Cowl Seal & (10) Hood Bumpers	23.51
M 16600E	71/73; Kit Includes: (1) Cowl Seal & (8) Hood Bumpers	23.51

### M 16612 Hood\*

M 16612A	65/66; (Except Shelby GT350).....	199.95
M 16612B	67/68; (Except Shelby GT350/500) Except hood mounted turn indicators .....	210.95
M 16612C	67/68; (Except Shelby GT350/500) With cutout for hood mounted turn indicators .....	220.00
M 16612D	69/70; Standard Hood .....	Each 335.00
M 16612E	71/73; NASA .....	Each 395.00
M 16612AF	65/66; Fiberglass, Steel Reinforced, Scoop Style.....	Each 469.95
M 16612CF	67/68; Fiberglass, Steel Reinforced, Scoop Style.....	Each 469.95

\*Note: Hoods must be shipped via truck Freight Collect.

### M 16613 Hood Plenum

M 16613E	71/73; For NASA Style Hood.....	Each 248.95
----------	---------------------------------	-------------

### MSS 106/7 Hood Scoop

MSS 106	65/66; GT350 Style • (Bond-On Type) .....	59.95
MSS 107	69/70; Mach I .....	141.35

### M 16621 Hood Decal

M 16621A	70; "351", RH or LH, Vinyl Tape .....	Each 6.06
----------	---------------------------------------	-----------

### M 16630 Hood Louvers

M 16630A	71/73; Used With The NASA Hood.....	Pair 75.70
----------	-------------------------------------	------------

## Hood Scoop Emblem



M 16637B	69; RH or LH, "351", Includes Fasteners.....	Each 29.95
----------	--	------------

### M 16666 Non-Functional Hood Scoop Seal

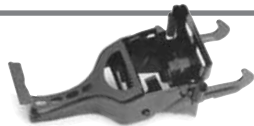
M 16666A	69/70; Goes Behind Hood Scoop Grille. Incl. Fasteners.....	Set 8.03
----------	--	----------

### M 16670 Hood Pad to Firewall Bracket

M 16670A	65/66 .....	Each 3.16
----------	-------------	-----------

Reproduced to Original Specifications for Concours Level Judging!

## Hood Latch



M 16700A	65/67; GT350/500 Hood Pin Kit - Consists Of: (2) Pins, (2) Klik-Pins w/Lanyards, (2) Hood Plates & (4) Nuts .....	M 16700D 18.13
M 16700B	66; Latch Assembly. Includes the Top Plate and Support Bracket .....	114.95
M 16700C	65; Latch Assembly, Includes the Top Plate & Support Bracket.....	Each 114.95
M 16700D	65/66 .....	58.95
M 16700E	67/68 .....	Each 59.95
M 16700F	69/70 .....	Each 59.95
M 16700G	71/73 .....	Each 72.95

See Page 125 For Attaching Parts Kit MHK 159

### M 16712 Hood Lock Bracket

M 16712A	70/73; Used with Part Number M 16896C & D .....	8.03
----------	---	------

### M 16714 Hood Bumper Support Bracket

M 16714A	65/66 .....	Pair 10.05
M 16714B	67/68 .....	Pair 15.10

### M 16720 Hood Scoop Emblem

M 16720A	69; Cobra Jet.....	Each 25.20
----------	--------------------	------------

### M 16720 Hood Mounted Turn Signal Insert

M 16720D	67/68; RH; Includes The Grille.....	Set 59.95
M 16721D	67/68; LH; Includes The Grille .....	Set 59.95

## Hood to Firewall Pad

M 16740A	65/66; With Attaching Clips; Reproduction of original .....	6.38
M 16740B	67/68; With Attaching Clips; Reproduction of original .....	6.38
M 16740C	69/70 .....	7.15
M 16740D	71/73 .....	7.15

### M 16747 Brace - Hood Latch Support

M 16747A	65/66 .....	Each 18.11
M 16747B	67/68 .....	Each 39.95
M 16747C	69/70 .....	Each 44.95

## Hood Bumpers

### M 16758 Hood Bumper

M 16758A	65/66; Push-In Type, on fender, (4) Required 67/68; (2) Required • Front.....	Each 1.02
M 16758B	67/68; Hood on fender • Rear; (2) Required .....	Each 1.02
M 16758C	69/70; Front Fender to cowl at windshield • (2) Req.....	Each 1.02
M 16758D	70; On Fender - Wedge Shape • (4) Required.....	Each .96
M 16758E	71/73; On Fender - Wedge Shape • (4) Required.....	Each 1.02
MSP 380478	69/70; Firewall to Hood; (2) Required 71/73; Firewall to Hood; (3) Required.....	Each 1.52

### M 16763A 65/73; On Radiator Support Bracket • (2) Required

M 16763B	64 1/2-65; Early Type w/Screw Hole...Each	4.12 3.89
----------	---	-----------



M 16763A M 16763B

## Hood Hinge Spring

M 16789A



### M 16789 Hood Hinge Spring

M 16789A	65/70; (Except 67/68 Shelby).....	Each 8.30
M 16789B	71/73; .....	Each 14.09

# FENDERS & HOOD AREA

## Patch Repair Panels

### Lower Rear Corner of Front Fender

Includes rear edge to form door opening. Extends to 1 1/2" above horizontal body line.

MPP 104L 65/66; LH	Each	45.00
MPP 104R 65/66; RH	Each	45.00
MPP 204L 67/68; LH	Each	37.32
MPP 204R 67/68; RH	Each	37.32

### Inner Panel Lower Rear Corner of Front Fender

MPP 104AL 65/66; LH	Each	26.95
MPP 104AR 65/66; RH	Each	26.95
MPP 204AL 67/68; LH	Each	26.95
MPP 204AR 67/68; RH	Each	26.95

### Headlamp Inner Panel Bracket

MPP 123L 64/66; LH	Each	22.17
MPP 123R 64/66; RH	Each	22.17

See Page 125 For Attaching Parts Kits MHK 12 & MHK 15.

### Shock Tower

MPP 124L 65/66, LH, Stamped heavy-gauge	Each	75.70
MPP 124R 65/66, RH, Stamped heavy-gauge	Each	75.70
MPP 124AR 65/66; RH; Complete Tower Assembly	Each	129.95
MPP 124AL 65/66; LH; Complete Tower Assembly	Each	129.95
MPP 224AR 67/68; RH; Complete Tower Assembly	Each	129.95
MPP 224AL 67/68; LH; Complete Tower Assembly	Each	129.95
MPP 324AR 69/70; RH; Complete Tower Assembly	Each	129.95
MPP 324AR 69/70; LH; Complete Tower Assembly	Each	129.95

### Outer Shock Tower

MPP 125L 65/66; LH	Each	42.79
MPP 125R 65/66; RH	Each	42.79

### Front Fender Apron • Rear Section

MPP 327L 69/70; LH, Includes Mounts for Hood Hinges	Each	68.95
MPP 327R 69/70; RH, Includes Mounts for Hood Hinges	Each	68.95
MPP 427L 71/73; LH, Includes Mounts for Hood Hinges	Each	63.58
MPP 427R 71/73; RH, Includes Mounts for Hood Hinges	Each	63.58

### Fender Apron

MPP 116L 65/66; LH	Each	27.22
MPP 116R 65/66; RH	Each	27.22
MPP 216L 67/68; LH	Each	29.24
MPP 216R 67/68; RH	Each	43.38

### Complete Front & Rear Fender Apron

MPP 127CR 65/66; RH	Each	109.95
MPP 127CL 65/66; LH	Each	109.95

MPP 127CR & 127CL Do not include Tower Assembly

### Fender Apron Rear Section

MPP 127R 65/66; RH	Each	30.00
MPP 127L 65/66; LH	Each	30.00
MPP 227R 67/68; RH	Each	30.00
MPP 227L 67/68; LH	Each	30.00

### Fender Apron Rear Section Extension

MPP 128R 65/66; RH	Each	9.95
MPP 128L 65/66; LH	Each	9.95
MPP 328R 69/70; RH	Each	12.95
MPP 328L 69/70; LH	Each	12.95

### Complete Fender Apron & Tower Assembly

MPP 129R 65/66; RH	Each	632.95
MPP 129L 65/66; LH	Each	632.95
MPP 229R 67/68; RH	Each	632.95
MPP 229L 67/68; LH	Each	632.95
MPP 329R 69/70; RH	Each	632.95
MPP 329L 69/70; LH	Each	632.95

The complete apron & tower includes, front & rear aprons with the inner tower attached. This unit also includes the outer tower bracket and hardware. Due to the package size, additional freight is required!!

## Shaker Hood Trim Ring

M 16958A 69/70;	Each	148.95
-----------------	------	--------

## Hood Hinge



M 16796B

### M 16796/7 Hood Hinge

M 16796A 65/66; RH, less spring	Each	36.95
M 16796B 67/70; RH, less spring	Each	29.95
M 16797C 65/66; LH, less spring	Each	36.95
M 16797D 67/70; LH, less spring	Each	29.95
M 16796E 71/73; RH	Each	50.45
M 16797E 71/73; LH	Each	50.45

See Page 125 For Attaching Parts Kit MHK 151.

### M 16856 Hood Moulding

M 16856A 65/66	Each	16.95
M 16856B 67/68	Each	17.09
M 16856C 69	Each	21.95
M 16856D 70	Each	21.95
M 16856E 71/72; Chrome Finish	Each	99.50
M 16856F 71/73; Painted	Each	86.95

### M 16894 Hood Fastener Catch

M 16894A 70; Fastback; 71/73; w/Ram Air System	Each	7.88
---	------	------

Used in conjunction with Part No. M 16896C & D.

### M 16624 Hood Scoop Grilles

M 16624A 71/73; Honeycomb Style	Pair	25.20
---------------------------------	------	-------

M 16896C Hood Fastener



### M 16896 Handle Assembly

M 16896A 68; GT350/500 & GT/CS	Pair	108.95
M 16896C 70; (Fastback)	Each	95.90
M 16896D 71/73; Used With Ram Air Systems	Each	79.95

### M 16918 Hood Safety Latch

M 16918A 64/66	Each	10.05
----------------	------	-------

### M 16929 Hood Latch Pin

M 16929A 64/66; Includes Nut & Washer	Each	10.95
---------------------------------------	------	-------

### M 18017 Shock Tower Cap

M 18017A 65/66	Each	20.15
M 18017AC 65/66; Chrome	Each	32.08
M 18017B 67/70	Each	20.15
M 18017BC 67/70; Chrome	Each	32.08
M 18017C 71/73	Each	45.40

## Attaching Hardware for this Section

MHK 15	Screws, Headlamp; 65/66, Stainless, (Kit of 8)	7.91
MHK 21	Fender Bolt, Black, Disc Washer; 65/68, (Kit of 12)	10.48
MHK 25	J-Nut, Headlamp; 65/66, (Kit of 8)	4.05
MHK 43	U-Nuts, Fender Mounting; 65/68, (Kit of 12)	11.18
MHK 46	Screw Kit, Park Lamp Lens; 65/68, (Kit of 4)	2.18
MHK 94	Fender Bolt & Nut Kit, (Kit of 12)	18.19
MHK 151	Bolt Kit, Hood Hinge Mounting; 65/68, (Kit of 5)	4.75
MHK 157	Screw Kit, Headlamp Mounting; 65/66, (Kit of 6)	2.63
MHK 159	Bolt Kit, Hood Latch & Catch; 65/66, (Kit of 11)	8.94
MHK 531	Fender Bolt Kit, Black, Star Washer; 65/66, (Kit of 12)	12.25
MHK 534	Fender Bolt Kit, Gold, Disc Washer; 71/73 (Kit of 12)	13.05
MSP 359613	Nut, Lower Inside Fender; 65/66	Each 3.99
MSP 380478	Bumper, Firewall to Hood, 69/70, (2 Req.)	Each 1.52
	Bumper, Firewall to Hood, 71/73, (3 Req.)	

## Instrument Cluster Housings & Lenses



M 10838A



M 10838B



M 10838C



M 10838D



M 10838F



M 10838G



M 10838E

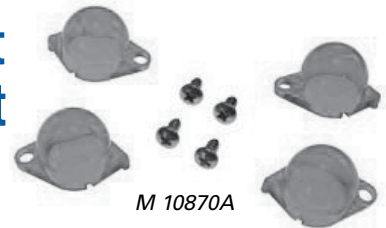
We stock a complete supply of Instrument Cluster Housings that are manufactured to exact original specifications. Each Instrument Cluster Housing incorporates high-quality materials to

give an authentic appearance to your Mustang's interior. You will want to install a new lens as well to complete the restoration of your bezel area. See this page for listings on Instrument Cluster Housing Lenses.

M 10838A	65	With Warning Lights Only .....	34.95
M 10838B	65/66	Woodgrain Finish. Use with ammeter & oil pressure gauges .....	39.95
M 10838C	66	Black Camera Case Finish Use with ammeter & pressure gauge ...	42.79
M 10838D	67	Black Camera Case Finish • (Standard Interior) .....	49.95
M 10838E	67	Aluminum Finish .....	119.95
M 10838F	68	Camera Case Finish .....	84.95
M 10838G	68	Woodgrain Finish .....	84.95
M 10838H	65	GT - Black Finish, Use With Amp & Oil Gauges .....	49.95

See Page 125 For Attaching Parts Kits MHK 34, 22 & 148.

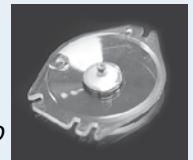
## Instrument Panel Light Filter Set



M 10870A

M 10870A	65/68; Red Set of 4 Pieces .....	Set	9.95
M 10870B	65/68; Blue Set of 4 Pieces .....	Set	9.95
M 10870C	65/68; Amber Set of 4 Pieces .....	Set	9.95
M 10870D	65/68; Red Set of 8 Pieces .....	Set	15.95
M 10870E	65/68; Blue Set of 8 Pieces .....	Set	15.95
M 10870F	65/68; Amber Set of 8 Pieces .....	Set	15.95

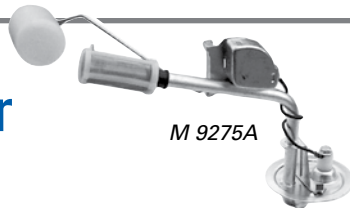
## Instrument Housing Lenses



M 10887D

M 10887A	65; Use on cluster with oil/amp warning lights, inc. ornaments on fuel/temperature gauges .....	16.94
M 10887B	65/66; Used with five gauge instrument cluster .....	11.73
M 10887C	67/68; Large .....	Each 10.35
M 10887D	67/68; Small .....	Each 7.02
M 10887E	67/68; Center, Used With Clock .....	7.02
M 10887F	67/68; Tachometer Lens With Trip Speedometer and Tachometer .....	Each 20.15
M 10887G	71/73; w/o Tachometer .....	Each 56.00
M 10887H	69/70; w/o Tachometer .....	Set 49.22
M 10887I	69/70; Lens Set With Factory Tachometer .....	Set 60.55

## Fuel Tank Sender Gauge



M 9275A

M 9275A	65/68; Without low fuel warning system .....	39.95
M 9275B	69; Without low fuel warning system .....	36.31
M 9275C	70; Without low fuel warning system .....	36.31
M 9275D	71/73; With 250, 302, 351 .....	36.31

### M 9278 Oil Sender Switch

M 9278A	65; Without Gauge 67/68, 289, 302, Before 5/6/68 w/tach & trip odometer .....	14.95
M 9278B	All; With Gauge .....	18.95

### M 9308 Oil Gauge

M 9308A	65/66; With Gauges .....	79.74
M 9308D	68 .....	64.00
M 9308E	69; Black Face .....	64.00
M 9308F	70; Grey Face .....	64.00

## Fuel Gauge



M 9305 Fuel Gauge

M 9305A	65 .....	79.74
M 9305B	66 and 65 With Gauges .....	79.74
M 9305D	68; .....	64.00
M 9305E	69; Black Face .....	64.00
M 9305F	70; Grey Face .....	64.00
M 9305G	68; Fuel & Alternator Set .....	129.00
M 9305H	69; Fuel & Alternator Set, Black Face .....	129.00
M 9305J	70; Fuel & Alternator Set, Grey Face .....	129.00

### M 10804 Instrument Panel Voltage Regulator

M 10804A	65/66 .....	15.75
M 10804B	67/68 .....	24.95
M 10804C	69/73 .....	19.95

### M 10838 Instrument Bezel

M 10838J	69; Black .....	145.00
M 10838K	70; Black .....	145.00
M 10838L	71/73; Black .....	114.00

# INSTRUMENTS & GAUGES

## M 10843 Instrument Cluster Printed Circuit Board

M 10843A	69/70; With Out Tach	Each	49.95
M 10843B	69/70; With Tach	Each	49.95
M 10843C	71/73; With Out Tach	Each	49.95
M 10843D	71/73; With Tach	Each	49.95

## M 10876 Seat Belt Reminder Light

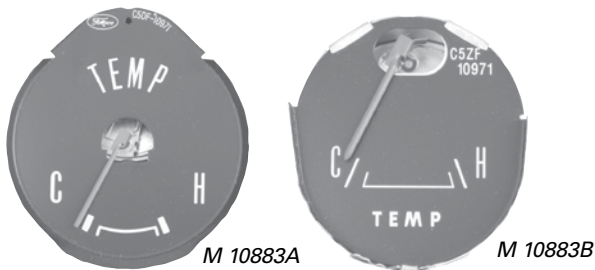
M 10876A	64/66; Stick On Type	59.95
M 10876B	67/68; Bracket Mount Type	59.95

These lights look exactly like the originals, but feature state-of-the-art LED light that will not melt the lens like the originals did. The LED light is rated at 100,000 hours and will last for years.

## M 10884 Engine Water Temperature Sender

M 10884A	65/66; 6 & 8 Cylinder, before 9/1/65	19.29
M 10884B	66/69; 6 & 8 Cylinder, from 9/1/65	18.75

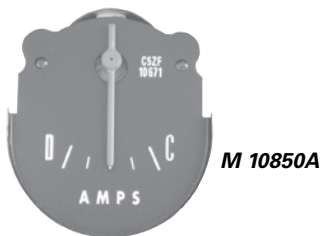
## Temperature Gauge



### M 10883 Temperature Gauge

M 10883A	65	Each	79.74
M 10883B	65/66; With Gauges	Each	79.74
M 10883D	68		64.00
M 10883E	69; Black Face		64.00
M 10883F	70; Grey Face		64.00

## Amp Gauge



### M 10850 Amp Gauge

M 10850A	66	79.74
M 10850D	68	64.00
M 10850E	69; Black Face	64.00
M 10850F	70; Grey Face	64.00

## Instrument Housing Lens

### M 10887 Instrument Housing Lens

M 10887J	69/70; Clock Lens With Pointer	66.70
----------	--------------------------------	-------

## Speedometer

### M 17255 Speedometer

M 17255A	65; 120 MPH	75.75
M 17255B	66; 140 MPH	75.75
M 17255D	68	129.00
M 17255E	69; Black Face	129.00
M 17255F	70; Grey Face	129.00

## M 17260 Speedometer Drive Cable & Housing

M 17260B	65/66, 3 spd. Manual Transmission	20.15
M 17260C	65/66, All, 4 spd. & A/T	19.95
M 17260E	67/68, All	19.95
M 17260H	69/70, 4 spd., (exc. 3:91 or 4:30 rear axle ratios)	24.95

## M 17271 Speedometer Driven Gear

M 17271A	65/73, 16 Teeth (except Warner 4 spd.)	7.45
M 17271B	65/73, 17 Teeth (except Warner 4 spd.)	7.45
M 17271C	65/73, 18 Teeth (except Warner 4 spd.)	7.85
M 17271D	65/73, 19 Teeth (except Warner 4 spd.)	7.35
M 17271E	65/73, 20 Teeth (except Warner 4 spd.)	7.02
M 17271F	65/73, 16 Teeth w/Warner 4 spd.	11.48
M 17271G	65/73, 17 Teeth w/Warner 4 spd.	13.10
M 17271H	65/73, 19 Teeth w/Warner 4 spd.	8.10

## M 17298 Speedometer Cable O-Ring Seal

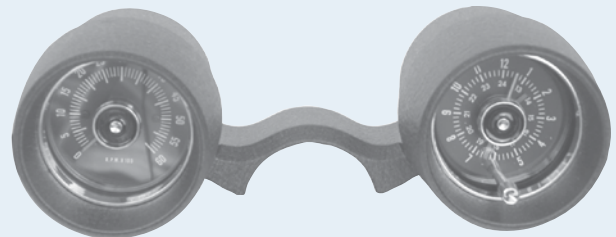
M 17298A	65/73	2.45
----------	-------	------

## Trip Reset Knob Assembly

### M 17381 Trip Reset Knob Assembly

M 17381A	67/68; With Factory Tachometer	20.15
----------	--------------------------------	-------

## Rally Pack Assembly



The reproduction of a 1966 Rally Pac is now available. We begin with our own tooling to produce the pressure die cast zinc housings. Available in either black powdercoat or durable white paint, both are beautiful with correct wrinkle texture. In addition, all wiring harnesses, matching wire harness shield, mounting bracket, and mounting hardware are included. The faces have the correct font and spacing, but are improved with backlighting for superior nighttime visibility. The quartz clock is specially designed, just for our Rally Pac. It has the correct "tic-tic-tic" second hand movement, just like the originals. Detailed installation instructions are included. These Rally Pacs also fit 1965 GT and Pony interior cars.

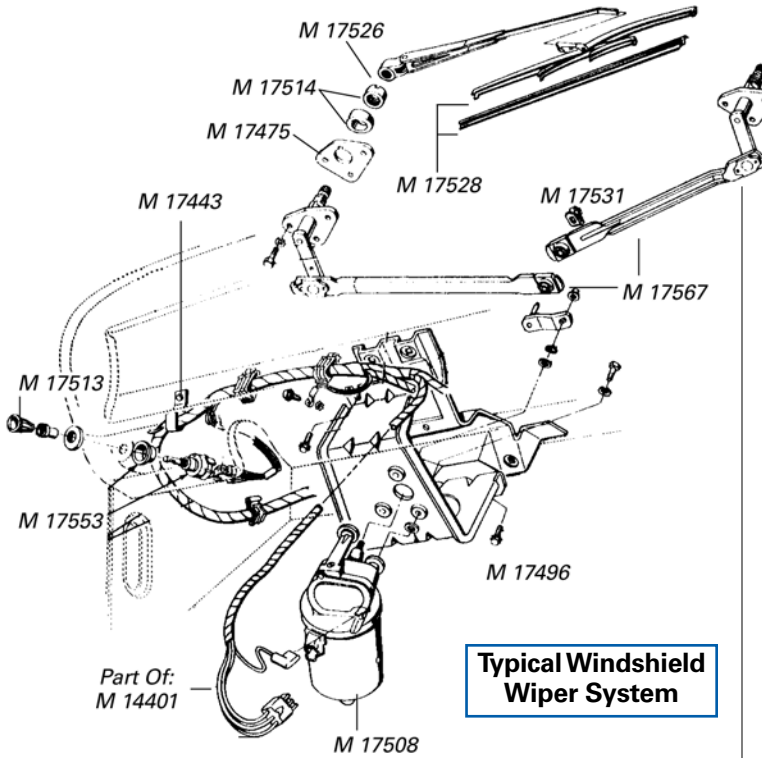
### M 10960 Rally Pack Assembly

M 10960ABK	66; 6 Cylinder, 6000 RPM Black	439.30
M 10960AWT	66; 6 Cylinder, 6000 RPM White	439.30
M 10960BBK	66; 8 Cylinder, 6000 RPM Black	439.30
M 10960BWT	66; 8 Cylinder, 6000 RPM White	439.30
M 10960CBK	66; 8 Cylinder, 8000 RPM Black	474.65
M 10960CWT	66; 8 Cylinder, 8000 RPM White	474.65

## Attaching Hardware for this Section

MHK 6	Screw Kit, Rally-Pac Mounting, 65; Anti-theft proof Contains: (2) Screws w/Tool	5.33
MHK 7	Screw Kit, Rally-Pac Mounting, 65; Anti-theft proof Contains: (2) Screws w/Tool	5.33
MHK 22	Screw Kit, Instrument Housing; 65/66, (Set of 6)	3.47
MHK 34	Socket Kit, Instrument Lamp; 65/68	5.08
MSP 379130	Clip for Instrument Bezel; 65/68	Set 12.07

# WINDSHIELD WASHER & WIPERS



**Typical Windshield Wiper System**

## Wiper Motor Arm

- M 17436 Wiper Motor Arm
- M 17436C 67/68; Connects Motor to Trans Arms..... Each 19.95

## Windshield Wiper Motor



- M 17508C 67/70..... Each 89.95

## Wiper Bezel & Nuts

- M 17514 Wiper Bezel & Nuts
- M 17514B 65/66; RH & LH..... Pair 14.95

## Windshield Wiper Arm Assembly



- M 17526 Windshield Wiper Arm Assembly
- M 17526A 65; Smooth Cap, Original-Type..... Each 15.10
- M 17526B 66/70; Flanged Cap, Original-Type..... Each 14.95

## Wiper Switch Spacer



- M 17443A 65/66..... 6.26

## Windshield Wiper Pivot Shaft to Cowl Seal



- Seal - Windshield Wiper Pivot Shaft to Cowl
- M 17475A 65/70;.....Pair 2.14

## Wiper Motor Mounting Bracket

- M 17496 Wiper Motor Mounting Bracket
- M 17496C 67/68..... Each 39.95
- M 17496D 69/70..... Each 39.95

## Windshield Wiper Knob



- M 17513A 65/66..... Each 7.02

## Windshield Wiper Blades



- M 17528 Windshield Wiper Blade Assembly
- M 17528A 65/68; 15"..... Each 12.45
- M 17528B 69/70; 16"..... Each 12.50
- M 17528C 71/73; 18"; (From 2/1/71)..... Each 10.05

- M 17531 Windshield Wiper Drive Arm Retainer Clip
- M 17531A 65/73; Under-Dash..... 3.45

## Windshield Washer Hose & Tee Kit



- M 17543B 65/66..... 7.02
- M 17543C 67/68..... 7.02
- M 17543F 69/70..... 8.03
- MSP 376913 65/66; Clip For Washer Hose..... Each 1.15

## Windshield Wiper Motor Arms

- M 17566/7 Windshield Wiper Motor Arms
- M 17567B 66; Transmission Arms..... Set 114.95
- M 17567C 67/68; Transmission Arms..... Set 114.95

# WINDSHIELD WASHER & WIPERS

- M 17512 Windshield Wiper Switch Chrome Nut**  
 M 17512A 65/66 ..... **NEW** ..... Each 13.95

## Windshield Wiper & Washer Switch



- M 17443 Wiper Switch Spacer**  
 M 17443A 65/66 ..... 6.26
- M 17513 Windshield Wiper Knob**  
 M 17513A 65/66 ..... Each 7.02  
 M 17513C 69/70 ..... Each 13.95
- M 17553 Windshield Wiper & Washer Switch Assembly**  
 M 17553A 65/66; 1-Speed With Washer ..... Each 42.95  
 M 17553B 65/66; 2-Speed, Before 12/19/65 ..... Each 46.95  
 M 17553C 66; 2-Speed ..... Each 30.95  
 M 17553D 69; 2-Speed ..... Each 65.60  
 M 17553E 70; 2-Speed Wipers, 7 terminals, Marked D0ZB-17A553-A ..... 41.75  
 M 17553F 71/73; 2-Speed ..... Each 65.60

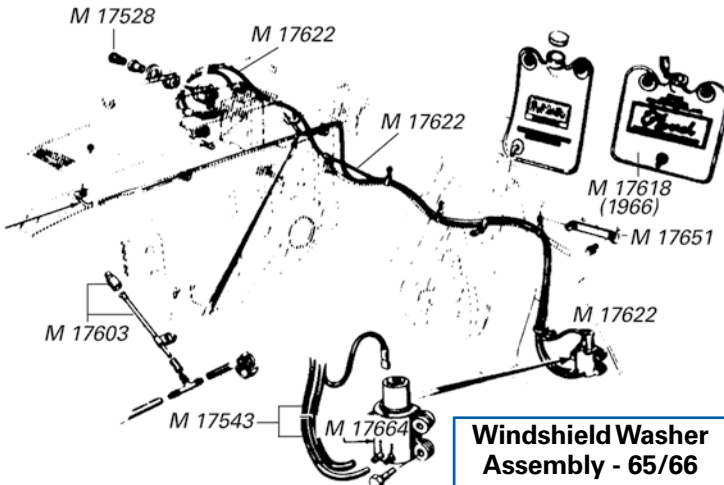
- M 17587 Wiper Motor to Under Dash Loom**  
 M 17587A 65/6; 1-Speed Motor ..... **NEW** ..... Each 45.95  
 M 17587B 65; 2-Speed Motor ..... **NEW** ..... Each 46.95  
 M 17587C 66; 2-Speed Motor ..... **NEW** ..... Each 51.95

- M 17601 Windshield Washer Hose Tee**  
 M 17601A 65/66; "T" Shaped ..... Each 1.97  
 M 17601B 67/68; "F" Shaped ..... Each 1.97

## Windshield Washer Nozzle



- M 17603 Windshield Washer Nozzle**  
 M 17603B 64 1/2/65; With Rubber Tips ..... Pair 20.15  
 M 17603C 66; With Dual Holes ..... Pair 15.10  
 M 17603D 67/68 ..... Pair 19.95



**Windshield Washer Assembly - 65/66**

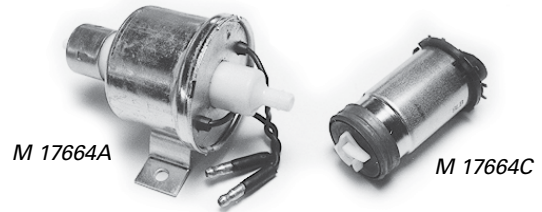
## Windshield Washer Reservoirs



M 17618A & B  
Wiper Reservoir

- M 17618 Windshield Washer Reservoir**  
 M 17618A 65/67; Integral Hinge-Type Cover (Before 3/1/67) ... 20.15  
 M 17618B 65; As Original ..... 20.30  
 M 17618C 66; As Original ..... 20.30  
 M 17618D 67/68; Plastic Container (After 3/1/67) ..... 29.95  
 M 17618E 69/70; Reservoir Only ..... 32.25  
 M 17618F 71/73; Reservoir Only ..... 29.75  
*See Page 125 For Attaching Parts Kit MHK 153.*
- M 17622 Windshield Washer Motor Wire**  
 M 17622A 64 1/2/65; Single-Speed Motor ..... 6.25  
 M 17622B 66; Single-Speed Motor ..... 10.25  
 M 17622C 66; 2-Speed Motor ..... 12.07
- M 17651 Windshield Washer Bag Bracket**  
 M 17651A 65/67; Includes Screws ..... 5.45  
*See Page 125 For Attaching Parts Kit MHK 153.*

## Windshield Washer Pumps



- M 17664 Windshield Washer Pump**  
 M 17664A 66; F-2 Speed Motor; Marked C5AF-17664-A ..... 42.95  
 M 17664C 69/73; Replacement Kit ..... 28.95  
 M 17664D 65/66; 1-Speed Motor 65; 2-Speed Motor; Like Original ..... 21.95  
*See Page 125 For Attaching Parts Kit MHK 154.*
- M 17664 Windshield Washer Pump Pedal Pad**  
 M 17664B 67/68 ..... 1.97
- M 17664 Windshield Washer Pump Pedal Pad**  
 M 17664BK 67/68; Diaphragm ..... 12.95

## Attaching Hardware for this Section

- MHK 153 Screw Kit, Washer Bag Bracket; 65/67, (Kit of 2) ..... 1.48  
 MHK 154 Screw Kit, Washer Pump Mounting; 65/66 (Kit of 3) ..... 1.67  
 MSP 376913 Clip, Windshield Washer Hose; 65/66 (2 Req.) ..... Each 1.15

# MIRRORS

M 17690 Rear View Inside Mirror Arm  
 M 17690A 68/69; Bracket Set, (2 Pieces Required) . Per Piece 19.95

<b>M 17696</b>	<b>Outside Mirror Assembly</b>	
M 17696A	65/66; An exact reproduction of the original early Mustang Round Head-Type Mirror .....	29.94
M 17696B	65/67; Shelby Bullet Mirror .....	115.00
M 17696C	65/66; Convex Right Hand Side Mirror. Reduces Blind Spot Due To Its Convex Shape. Includes All Attaching Hardware .....	42.95
M 17696D	65/66; RH Companion to LH Remote Control ..	49.95
M 17696E	65/66; LH Remote Control; Exact Reproduction Includes: Adjusting Cables, Control Knob, Mounting Screws, Mounting Pad & Instructions .....	21.95
M 17696F	67/68; RH or LH, Manual Rectangular Head Mirror.	45.00
M 17696H	67/68; LH Remote, Includes Cables & Pad.....	54.95
M 17696I	67/68; RH Companion To LH Remote Mirror ....	52.95
M 17696J	69/70; RH, Racing Mirror .....	129.95
M 17696K	69/70; LH, Racing Mirror.....	129.95
M 17696L	69/70; Standard RH or LH.....	42.37
M 17696M	71/73; Standard RH or LH.....	52.95
M 17696N	71/73; RH Racing .....	125.00
M 17696O	71/73; LH Racing .....	125.00

*Note: See Part Number M 17724 for Mounting Pads.  
 See Page 125 For Attaching Parts Kits MHK 12, 48 & 48A.*

<b>M 17698</b>	<b>Rear View Inside Mirror Bracket</b>	
M 17698A	65/66; (All Body Types) .....	14.50
M 17698B	67 .....	19.95
M 17698C	69/73; Glues To Windshield. For Use With 17700-C & D .....	2.78
M 17698D	68; For Day/Night Mirror .....	12.50
M 17698DK	68/73; Arm & Bracket Set .....	Set 19.95

*See Page 125 For Attaching Part Kit MHK 53.*

<b>M 17718</b>	<b>Remote Control Mirror - Knob Repair Kit</b>	
M 17718A	69/73 .....	14.95
<b>M 17724</b>	<b>Outside Mirror Mounting Pad</b>	
M 17724A	65/66; Used with Standard Round-Head Mirror...	1.45
M 17724B	65/66; Used with Remote Round-Head Mirror .....	1.45
M 17724C	69/70; RH & LH, Used with Racing-Type MirrorPair	7.02
M 17724E	67/68; RH or LH Standard Mirror.....	Each 3.75
<b>M 17733</b>	<b>Remote Mirror Bezel/Nut</b>	
M 17733B	69; Early Bezel, Chrome .....	Each 20.15
M 17733C	69; Early Bezel, Nut.....	Each 14.95
M 17733D	Late, Remote Control Nut .....	Each 14.95



## Original-Style Inside Rear View Mirrors



*M 17700F*



M 17700A	65/66; Reproduction, Non-Day/Nite; Chrome Finish.....	10.95
M 17700B	66; "Day/Nite"; Will work on '65 Also .....	12.95
M 17700C	70/73; "Day/Nite"; 2 1/2" x 12"; with undetachable mounting arm, Black vinyl covered; paint to match .....	48.95
M 17700E	67; "Day/Nite"; Exact Reproduction! .....	39.95
<b>See Page 87 For Attaching Parts Kit MHK 53.</b>		
M 17700F	68/73; Replacement Mirror Kit. Includes Mirror w/arm, Window Mount, Glue & Instructions. Available Black Only. ....	30.25
M 17700G	64 1/2/65; "Day/Nite" Like original w/push buttons .....	30.25

### 1965-67 Shelby Bullet Mirror





*M 17696J*


### Racing Style Mirror for 1969-70 Mustangs


*M 17696K*



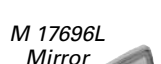
*M 17696D Mirror*




*M 17724B*




*M 17696F Mirror*




*M 17696L Mirror*




*M 17696E Mirror*



*M 17696H Remote Control Mirror*



*M 17696M Mirror*

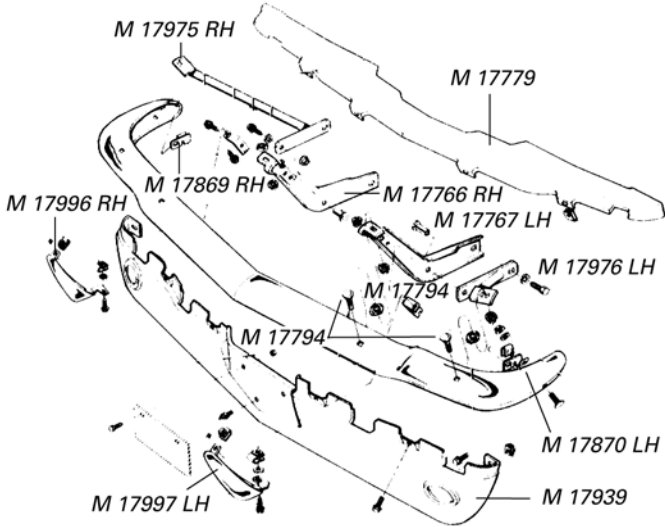


*M 17724 Outside Mirror Mounting Pads*

### Attaching Hardware for this Section

MHK 48	Mounting Screws, Outside Mirror (Standard); 65/66 (Kit of 2) .....	1.48
MHK 48A	Mounting Screws, Outside Mirror (Remote); 65/66 (Kit of 2) .....	1.48
MHK 53	Screw Kit, Visor & Mirror Bracket; 65/66 (Kit of 9) .....	4.37
MHK 53A	Screw Kit, Conv. Wndshld., Upper; 65/66 (Kit of 9) .....	4.37

# BUMPERS



## Front Bumper & Related Parts - '65

<b>M 00106</b>	<b>Airfoil Front Spoiler</b>		
	See Part Number 00174 Listing Below.		
<b>M 00174</b>	<b>Airfoil Front Spoiler</b>		
M 00174A	69; (Fastback) Kit, includes attaching parts	69.95	
M 00106A	70; (Fastback) Boss, black plastic	65.00	
M 00106B	71/73; (Fastback) Boss (302, 351 engine)	69.95	
<b>M 16554</b>	<b>Fender to Bumper Filler</b>		
M 16554A	71/72; Front, With Chrome Bumper	Pair	50.45
M 17385	License Plate Holder Front Bracket		
M 17385A	69/70/69/70; (Except GT350/500)	Each	19.95
M 17385B	71/73	Each	18.45
<b>M 17750</b>	<b>Rear Bumper Arm</b>		
M 17750A	65/66; RH or LH	Each	15.95
M 17750B	67/68; RH or LH		11.95
M 17750C	69/70; RH or LH	Each	11.95
	See Page 125 For Attaching Parts Kit MHK 163.		
<b>M 17754/5, M 17766/7, M 17975/6</b>	<b>Arm - Front Bumper Support</b>		
M 17766A	65/66; RH, Inner		13.87
M 17767A	65/66; LH, Inner		13.87
M 17975A	65/66; RH, Outer		14.00
M 17976A	65/66; LH, Outer		14.00
M 17766B	67/68; (Except Shelby) RH, Inner		13.08
M 17767B	67/68; (Except Shelby) LH, Inner		13.08
M 17754A	67/68; (Except Shelby) RH, Outer		11.75
M 17755A	67/68; (Except Shelby) LH, Outer		11.75
M 17754B	69/70; RH, Outer		11.75
M 17755B	69/70; LH, Outer		11.75

## Front Bumper

M 17757A	65/66	129.95
M 17757B	67/68	129.95
M 17757C	69/70	129.95
M 17757D	71/72; Chrome Finish	154.48

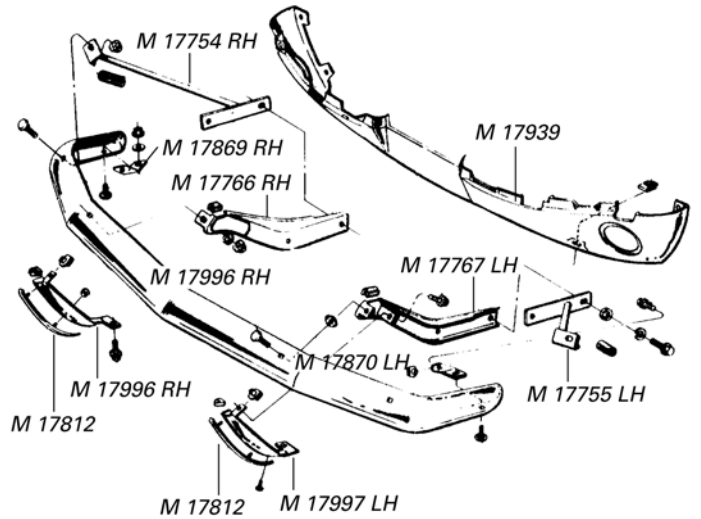
See Page 125 For Attaching Parts Kit MHK 13 & MHK 13B.

## Bumper Kit

Our kits include the front bumper, rear bumper, guards and bolt kit.

M 17757AK	65/66	Kit	345.00
M 17757BK	67/68	Kit	334.95
M 17757CK	69/70; Does Not Include Guards	Kit	295.00

<b>M 17766/7</b>	<b>Front Bumper Support Arm</b>		
M 17766C	69/70; RH	Each	16.95
M 17767C	69/70; LH	Each	16.95



## Front Bumper & Related Parts - '67

<b>M 17758</b>	<b>Bumper Bolt</b>		
M 17758A	65/68; (8) Required		1.12
MSP 383465		70/73	2.25
	Bumper Bolt Kits - Front & Rear		
	See Page 125 For Attaching Parts Kit MHK 13.		
<b>M 17779</b>	<b>Front Bumper Filler Panel</b>		
M 17779A	65/66; Upper		33.15
M 17779B	67/68		29.94
<b>M 17794</b>	<b>Front Bumper Guard Bracket</b>		
M 17794A	65/66; RH or LH	Each	5.30
<b>M 17807</b>	<b>Rear Bumper Pad</b>		
M 17807A	67/68	Each	6.38
<b>M 17812</b>	<b>Bumper Guard Pad</b>		
M 17812A	67; Front, RH or LH	Each	9.90

## Rear Bumper Center Strip

M 17830C	73; Includes Attaching Nuts	Each	74.95
----------	-----------------------------	------	-------

## Rear Bumper Outer Strips

M 17831C	73; Includes Attaching Nuts	Pair	74.95
----------	-----------------------------	------	-------

## Rear Bumper Guard Pad

M 17807C	73; Includes Attaching Nuts	Pair	19.95
----------	-----------------------------	------	-------

## Front Bumper to Fender Bracket

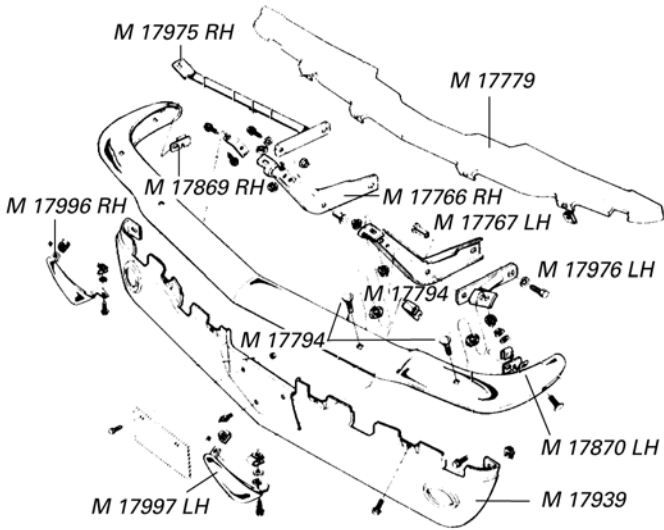
<b>M 17869/70</b>	<b>Front Bumper To Fender Bracket</b>		
M 17869A	65/66; RH		3.16
M 17870A	65/66; LH		3.16
M 17869B	67/68; (Except Shelby GT350/500), RH		2.53
M 17870B	67/68; (Except Shelby GT350/500), LH		2.53
M 17870C	69/70; RH or LH	Each	3.85
<b>M 17876/7</b>	<b>Lower Rear Bumper Guard Bracket</b>		
M 17876A	65/66; RH		9.95
M 17877A	65/66; LH		9.95
M 17876B	67/68; RH or LH	Each	13.50

## Rear Bumper

<b>M 17906</b>	<b>Rear Bumper</b>		
M 17906A	65/66		129.95
M 17906B	67/68		114.95
M 17906C	69/70		114.95
M 17906D	71/73; (Except with High Protection Guards)		154.48

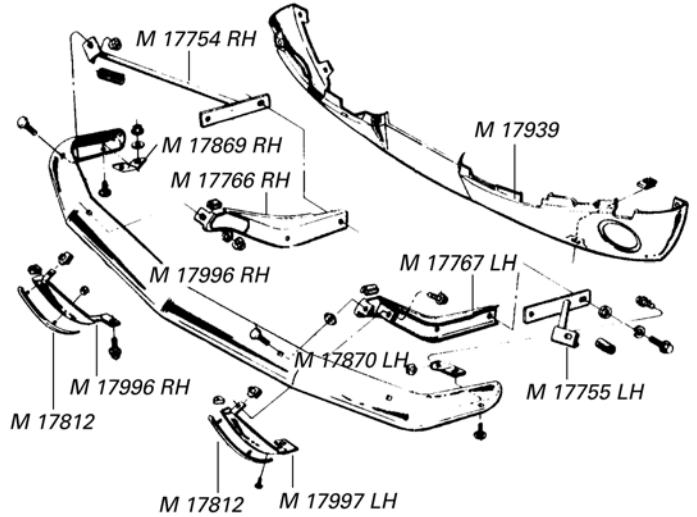


# BUMPERS



**Rear Bumper & Related Parts - 65/66**

- M 17925 Bumper Wave Washer**  
M 17925A 67/73; (8 Required To Complete Both Bumpers)Each .96
- M 17939 Stone Deflector - Lower Front**  
M 17939A 65/66; Lower, with park lite holes..... 39.95  
M 17939B 67/68; Lower, with park lite holes..... 39.95  
See Page 125 For Attaching Parts Kits MHK 99 & MHK 239.  
*Note: Refer to Parts Group #17626 For 69/73 Mustangs.*
- M 17984 Rear Bumper Guard**  
M 17984A 65/66; RH or LH..... Each 19.23  
M 17984B 67/68; RH or LH; Used with #17A807-A Rubber Pad (not included).... Each 20.25  
MSP 379944K Bumper Guard Pad Set; 65/66, (Set of 4) ....Set 4.04  
See Page 125 For Attaching Parts Kit MHK 282.
- M 17996/7 Front Bumper Guard**  
M 17996A 65/66; RH..... 21.50  
M 17996C 67/68; RH; Used Without Rubber Pad ..... 21.37  
M 17997A 65/66; LH ..... 21.50  
M 17997C 67/68, LH; Used without rubber pad..... 21.37  
MSP 379944K Bumper Guard Pad Set; 65/66, (Set of 4) ... Set 4.04  
See Page 125 For Attaching Part Kit MHK 282.



**Rear Bumper & Related Parts - 67/68**



## License Plate Frames

Available 1965-73. Specify Year & Quantity when Ordering.

- M 18240A/I License Frame ..... Each 7.95  
See Page 125 For Attaching Parts Kits MHK 26, 99 183.

## Bumper to Body Insulator Set



- M 40996A 65/73; Rear Only; (Set of 4) ..... 2.09

## Attaching Hardware for this Section

- |             |  |           |
|-------------|--|-----------|
| MHK 13      | Bumper Bolt Kit, Front & Rear; 65/68.....                                    | 21.59     |
| MHK 13B     | Bumper Bolt (Small), with Nuts; (2 ea), 65/68.....                           | 2.76      |
| MHK 26      | Screws & Nuts, License Plate Mtg., 65/73, (8 ea).....                        | 3.47      |
| MHK 39      | Screws, License Plate Light; 65/70, (Kit of 2).....                          | 1.48      |
| MHK 99      | Bumper, Front License Plate; 65/68.....                                      | Each 1.67 |
| MHK 163     | Bolt Kit, Rear Bumper Bracket; 65/70, (Kit of 2).....                        | 2.51      |
| MHK 282     | Bolt & U-Nut Kit, Bumperette; 65/66, (Kit of 2).....                         | 3.92      |
| MHK 564     | Rear Bumper Bolt Kit; 71/72, All & 73 without bumper guards, (Kit of 8)..... | 8.61      |
| MHK 565     | Rear Bumper & Guard Kit; 73 (Kit of 8).....                                  | 7.32      |
| MHK 566     | Front Urethane Bumper Kit; 71/72, (Kit of 18).....                           | 24.03     |
| MHK 568     | Rear Bumper Guard Kit; 71/72, (Kit of 8).....                                | 6.04      |
| MHK 569     | Bumper Guard Pad Mounting Kit; 71/73, (Kit of 6 - Does 2 Pads).....          | 2.51      |
| MHK 570     | Front Chrome Bumper Bolt Kit; 73, (Kit of 12).....                           | 13.75     |
| MHK 573     | Front Chrome Bumper Bolt Kit; 71/72 (Kit of 18).....                         | 24.03     |
| MSP 379944K | Bumper Guard Pad Set; 65/66, (Set of 4).....                                 | 4.04      |
| MSP 383465  | Bumper Bolt; 70/73.....  | Each 2.25 |



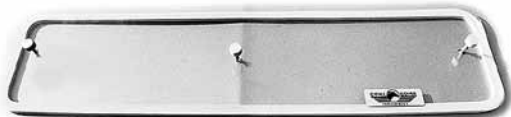
*Your Number One Source for T-Bird Restoration Parts!*

# HEATER & AIR CONDITIONER

## Air Compressor Adjustment Bracket

M 2942A 65/67; 6 Cylinder; Includes Adjusting Bolt & Nut ..... Each 12.00

## Use a Cowl Cap to help prevent Rust & Corrosion!



The cowl area on Mustangs seems to be a magnet for water, leaves, dirt and eventually rust. These tough acrylic caps fit over the slots on the hood area in front of the windshield, keeping out unwanted debris. Easy to install. No drilling is required. Bottom side of cap has soft foam layer to prevent scratches. Great investment to help ward off rust repair\*.

M 02010A 65/66 Cowl Cap ..... 30.25  
 M 02010B 67/68 Cowl Cap ..... 30.25  
 \*See Page 52 For Cowl Repair Kit #M 01936/7A.

## Vacume Control Motor Assembly

M 18318A 67/68; With Integral A/C; Cut arm to required length ..... 54.95

## Heater Seal Kit

M 18455A 65/68 ..... 11.75  
 M 18455B 67/68; With Integral A/C ..... 11.75  
 M 18455C 69/70; With Integral A/C ..... 10.05  
 M 18455D 69/70; Without A/C ..... 10.05

## Heater Chamber Plenum

M 18471A 65/69; Manufactured from tough ABS Plastic ..... 16.95

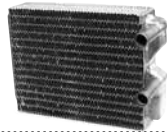
## Concours Correct Heater Hose

M 18472C



M 18472B 65/73; Bulk 5/8" Heater Hose (Black) Replacement Type ..... Per Foot 1.45  
 M 18472C 65/67; Has White Stripe/Correct Ribs, 8 Ft. Length ..... 20.15  
 M 18472D 68; Has Red Stripe/Correct Ribs & Date/AutoLite Stamped 8 Ft. Length ..... 39.95  
 M 18472E 69; Has Red Stripe/Correct Ribs & Date/AutoLite Stamped 8 Ft. Length ..... 39.95  
 M 18472F 70; Has Yellow Stripe & Date/AutoLite Stamped, 8 Ft. Length ..... 20.15  
 M 18472G 71; Has Yellow Stripe & Date/AutoLite Stamped, 8 Ft. Length ..... 20.15

## Heater Core



M 18476A

M 18476 Heater Core  
 M 18476A 65/68 ..... 39.95  
 M 18476B 67/73; With integral A/C ..... 45.50  
 M 18476C 69/70; No A/C ..... 27.95  
 M 18476D 71/73; No A/C ..... 34.95  
 See Page 125 For Attaching Parts Kit MHK 16.

## Defroster Air Ducts



M 18490 Defroster Air Ducts  
 M 18490A 65/66 ..... Pair 6.97  
 MSP372850K Clips for installing defroster ducts ..... Set Of 4 1.97

M 18495 Heater Water Control Valve  
 M 18495A 67/68; With Integral A/C ..... 28.95

M 18518 Heater Temperature Cable  
 M 18518A 67/68; Heater Temp./Defroster & Air control combined ..... 29.95  
 M 18518B 69/73; Temperature & Defroster Control ..... 44.98  
 M 18518C 65/66 ..... 9.04  
 Note: 65/66 Models Use Part No. M 18552A.

## Heater Knob Set

M 18519 Heater Knob Set  
 M 18519AK 65/66; Inc. Knobs For Heat, Temp. Defrost & On/Off Set ..... 15.75  
 M 18519B 67; Non AC ..... 3 PC Set 24.95  
 M 18519BA 67; With AC ..... 3 PC Set 24.95  
 M 18519CK 69/73; ..... 3 PC Set 15.10  
 M 18519D 68; Non AC ..... 3 PC Set 24.95  
 M 18519DA 68; With AC ..... 3 PC Set 24.95

M 18527 Heater Motor Assembly  
 M 18527A 64/65 To 4/1/65; (Fan Not Included) ..... 65.00  
 M 18527B 65/68, From 4/1/65; (Fan Not Included) ..... 40.35  
 M 18527BK 65/68; 2 Wire Type. Includes; Motor, Mount Plate and Blower Case ..... 69.95  
 M 18527C 71/73; With heater; (Fan Not Included) ..... 79.95

M 18531 Heater Control Assembly  
 M 18531B 68; Black Finish, Includes Knobs, Pigtail & Switch ..... Each 169.95

M 18543 Heater Box  
 M 18543A 64 1/2/65; Non-Resistor Type ..... 215.00  
 M 18543B 66; With Hole For Resistor ..... 215.00  
 M 18543C 67/68 ..... 215.00

M 18548 Defroster Cable Assembly  
 M 18548A 65/66 ..... 8.33

M 18550 Heater Core End Caps  
 M 18500A 65/66 & 67/68; No A/C ..... Each 9.25  
 M 18500B 67/68; With Factory A/C ..... Each 9.25

M 18552 Heater Air Cable Assembly  
 M 18552A 65/66; 31 7/8" Long ..... 9.04

M 18556 Windshield Defroster Hose  
 M 18556A 67/73; 2 1/2" I.D. x 36" long; Cut to length required ..... Each 10.95

M 18569 Heater Inlet Gasket  
 M 18569A 65/70 ..... 12.26

M 18578 Heater Switch  
 M 18578A 65/66; 3 Wire, Includes Knob From 4/1/64 ..... 69.69  
 M 18591 Heater Box Resistor  
 M 18591A 65/66 ..... 18.50

M 18599 Elbow  
 M 18599A 65/70; Used To Reduce Water Flow Thru Heater Core; 71/73, Hot Water Heater Connection ..... 15.75  
 M 18599B 65/73; Nipple (heater hose to water pump or hot water return) ..... 20.40

M 18620 Windshield Defroster Hose  
 M 18620A 65/66; From 3/15/65, 25 1/4" long ..... Each 10.66

# HEATER & AIR CONDITIONER

## Heater Control Face Plate



M 18651A 64/66..... 23.10

**M 19588 Air Conditioning Hoses through Firewall Grommet**  
M 19588A 65/66; Used on cars with Ford A/C..... 4.95

## Air Conditioner Evaporator Register



**M 19671 Air Conditioner Evaporator Register**  
M 19671A 65; Reproduction of Original ..... Per Set Of 4 21.37  
M 19671B 66; Reproduction of Original ..... Per Set Of 4 21.37  
**M 19683 Air Conditioner Register Clip**  
M 19683A 65/67; Hang-On type..... Each 1.67  
**M 19684 Air Conditioning Compressor Gasket Kit**  
M 19684A 65/68; Used With York compressor..... 19.25

## Air Conditioner Kit



M 19700AK

M 19700AK 65/66; 6 Cylinder, Complete Kit ..... 945.00  
M 19700BK 65/66; 289, Complete Kit ..... 989.50  
M 19700CK 67/68; 6 Cylinder, Complete Kit ..... 945.50  
M 19700DK 67/68; 289 & 302 with 3-Bolt Damper, Complete Kit..... 989.50

**M 19703 Air Conditioning Compressor**  
M 19703A 65/68; York ..... 285.42  
**M 19704 Air Conditioning Compressor Cover Plate**  
M 19704A 65/73; Open Letter Cobra ..... 35.30  
M 19704B 65/73; Mustang ..... 35.30  
M 19704C 65/73; Plain..... 35.30  
**M 19819 Air Conditioner Condenser Tubes Grommet**  
M 19819A 67/70; Radiator Support Grommet For Integral A/C 4.23  
**M 19837 Liquid Line Hose**  
M 19837A 64/66; Connects to Dryer Outlet and Extends Through The Radiator Support..... Each 26.95

## Sight Glass Hose

High quality U.S. made hose, but not an exact Reproduction. Will accept R-12 or 134a refrigerants.

M 19837B 64/66..... Each 69.95  
M 19837C 67/68..... Each 78.95  
M 19837D 69/70..... Each 78.95  
M 19837E 71/73..... Each 78.95

**M 19849 Expansion Valve**  
M 19849A 64/66..... Each 79.95  
M 19849B 67/68..... Each 79.95  
M 19849C 69/70..... Each 89.95  
M 19849D 71/73..... Each 78.95  
**M 19858 Evaporator Drain Hose**  
M 19858A 65/66..... 14.09  
**M 19589 Firewall A/C Hose Grommet Bracket**  
M 19589A 65/66; Painted Black..... Each 29.95

## Air Conditioner Evaporator

Made with high output coils and the copper tubing eliminating the corrosion problems of the aluminum originals.

M 19860B 67/68..... Each 225.95  
M 19860C 69; Early ..... Each 225.95  
M 19860D 69; Late..... Each 225.95  
M 19860E 71/73..... Each 225.95

## Air Conditioner Suction Hose

Constructed in original style black thermoplastic material with nylon barrier. Will accept R-12 or 134a refrigerants.

M 19864A 67/68; 6 Cylinder ..... Each 57.95  
M 19864B 64/65; 8 Cylinder ..... Each 57.95  
M 19864C 66; 6 Cylinder ..... Each 62.95  
M 19864D 66; 8 Cylinder ..... Each 62.95  
M 19864E 67/68; 6 Cylinder ..... Each 67.95  
M 19864F 67/68; 8 Cylinder ..... Each 67.95  
M 19864G 69/70; 6 Cylinder ..... Each 63.95  
M 19864H 69/70; 8 Cylinder ..... Each 80.95  
M 19864J 71/73; 6 Cylinder ..... Each 63.95  
M 19864K 71/73; 8 Cylinder ..... Each 80.95

## Air Conditioner Vents



M 19893A

M 19893A 67/68; RH. Each 175.00  
M 19696A 67; LH ..... Each 175.00  
M 19696B 68; LH ..... Each 175.00

M 19893A 67/68; RH, Includes Drain Hose ..... Each 216.95  
M 19696A 67; LH, Includes Drain Hose..... Each 216.95

## Air Conditioning Receiver/Dryer

Made for the original A/C units and are exact replacements.

M 19959A 64/66..... Each 55.95  
M 19959B 67/68..... Each 55.95  
M 19959C 69/70..... Each 79.95  
M 19959D 71/73..... Each 61.95

## Air Conditioner Discharge Hose

These hoses are made in the U.S. and have the correct look. Will accept R-12 or 134a refrigerants.

M 19972A 64/66; 6 Cylinder ..... Each 61.95  
M 19972B 64/66; 8 Cylinder ..... Each 61.95  
M 19972C 67/68; 6 Cylinder ..... Each 61.95  
M 19972D 67/68; 8 Cylinder ..... Each 61.95  
M 19972E 69/70; 6 Cylinder ..... Each 61.95  
M 19972F 69/70; 8 Cylinder ..... Each 61.95  
M 19972G 71/73; 6 Cylinder ..... Each 61.95  
M 19972H 71/73; 8 Cylinder ..... Each 61.95

## M 19945 Air Conditioning Wire Loom

M 19945A 65/66; Air Conditioning Wire Loom, Including Fuse 20.15  
M 19945B 67 ..... 48.43

## M 27820 Vent Slides

M 27820A 65/66; Fastback, Chromed..... Pair 45.40  
M 27820B 67/68; Fastback, Chromed..... Pair 45.40

## Quarter Vent Assemblies

M 28062B 67/68; Fastback.....Pair 449.95

## Attaching Hardware for this Section

MHK 16 Heater Repair Manual; 65/68..... Each 4.05  
MSP 372850K Clip Set, Defroster Duct; 65/66..... Each 1.97  
MSP 378897 Clip, Heater Control Bracket..... Each 1.77

# BODY STRIPE KITS

## Body Side Stripe Kits • ('65/'67 GT Only)

M 20000A	65/'66	Type 1	Black	Both Sides .....	24.58
M 20000B	65/'66	Type 1	White	Both Sides .....	24.58
M 20000C	65/'66	Type 1	Red	Both Sides .....	24.58
M 20000D	65/'66	Type 1	Blue	Both Sides .....	24.58
M 20000E	67	Type 1	Black	Both Sides .....	26.72
M 20000F	67	Type 1	White	Both Sides .....	26.72

## Body Side Stripe Kits • ('68 GT Only)

M 20001A	68	Stripe	Black	Both Sides .....	67.62
M 20001B	68	Stripe	White	Both Sides .....	67.62
M 20001C	68	Stripe	Gold	Both Sides .....	67.62
M 20001D	68	Stripe	Red	Both Sides .....	67.62
M 20001E	68	Stripe	Blue	Both Sides .....	67.62

## Body Side Stripe Kits • ('68 "GT/CS" Only)

M 20000I	68	"GT/CS"	White	Body Side & Deck Lid ....	90.85
M 20000J	68	"GT/CS"	Black	Body Side & Deck Lid ....	90.85

## Body Side Stripe Kits • ('69 Mach I Only)

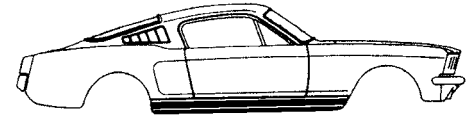
M 20000K	69	Type 6	Black w/Gold Ctr.	(Mach I) .....	151.45
M 20000-10	69	Type 6	Red w/Gold Ctr.	(Mach I) .....	151.45

## Boss 302 • Full Set ('69 Only)

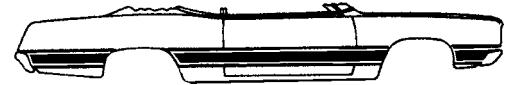
M 2000011	69	Type 8	Black	("Boss 302") .....	286.00
-----------	----	--------	-------	--------------------	--------

Note: For 65/'68 Shelby, Refer To Part Number 16224 This Page.

## Car Style Types



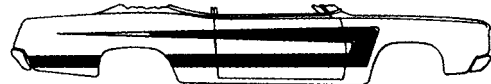
Type 1



Type 2



Type 3



Type 4

**\*Note: We Cannot Refund  
or Exchange Any Stripe Kit After Purchase.**



**Big Selection of Parts! Whether it's a hard to find part or a standard Mustang replacement part, Larry's has what you're looking for. Our inventory of parts is concours-quality. Give us a call if you can't find the parts you need. Our knowledgeable parts specialists will be happy to help!**

**Place Trim Items  
in the Correct  
Location with help  
from our handy  
GT Emblem  
Placement Kit!**

Our GT Emblem Placement Stencil Kit is a great way to make sure you are placing exterior emblems and decals in their proper location. Kit includes Instructions & Templates for positioning MUSTANG letters, GT Emblems, V8 Emblems & Stripe Kits on each front fender. This stencil kit makes your job really easy and helps you avoid costly mistakes!

MTK-01 65/'66;  
Complete Kit .....\$13.08

# DOORS & WINDOWS

## Door Scuff Plate



### Door Scuff Plate

M 13208E	65/68; RH & LH Accessory.....	Pair	32.83
M 13208F	65/66; (Coupe & Fastback), with black label .....	Each	14.50
M 13208G	65/66; (Convertible), with black label .....	Each	14.50
M 13208H	67/68; (Coupe & Fastback), with blue label.....	Each	14.50
M 13208I	67/68; (Convertible), with blue label .....	Each	14.50
M 13208J	69/70; RH or LH .....	Each	16.50
M 13208K	71/73; RH or LH .....	Each	19.50
M 13208P	65/68; Coupe & Convertible, Lighted.....	Pair	124.95
M 13208Q	65/68; Fastback, Lighted .....	Pair	124.95
M 13208R	69/70; All, Lighted .....	Pair	129.95

See Page 125 For Attaching Parts Kits MHK 49, 58 & 182.

### M 13713 Courtesy Lamp Switch

M 13713A	65/67 67; Tilt Steering Wheel, before 11/14/66 .....	7.25
M 13713C	69/71; Tilt Steering Wheel 71/73; RH, Front door w/o auto seat back latch.....	15.45
M 13713E	70; LH, Front door w/auto seat back latch; RH front door .....	14.95

### M 13769 Door Lamp Wire Loom

M 13769A	65/66; Pony Interior, Door lamp only .....	Each	22.17
M 13769B	65/66; Pony Interior, Door lamp & radio speaker .....	Each	32.27
M 13769C	67; Deluxe Interior, Door lamp & radio speaker .....	Each	32.32

## Interior Lamp



### M 13776 Interior Lamp Assembly

M 13776A	65/69; (Fastback) Quarter trim .....	34.95
----------	--------------------------------------	-------

### M 13786 Interior Door Lamp Body & Socket Assembly

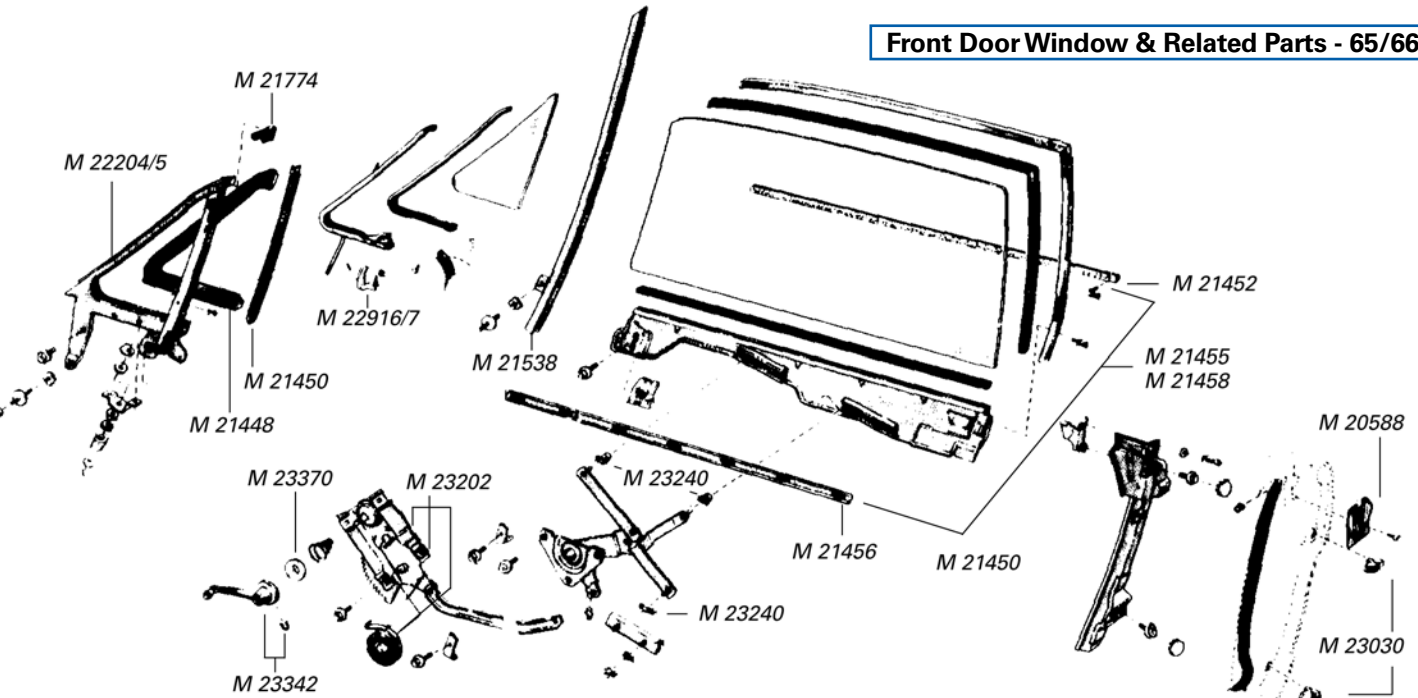
M 13786A	65/66; Pony Interior .....	Each	40.35
See Page 120 For Attaching Parts Kit MHK 57.			
M 13786B	67/68; Door Lamp Assembly.....	32.50	
M 13786C	69/70; Door Lamp Assembly.....	79.95	

### M 13790 Door Lamp Pad

M 13790A	65/66; Pony Interior .....	3.16
M 13790B	67/68 .....	1.97

### M 14489 Courtesy Lamp Switch Housing

M 14489A	68/73 .....	4.95
----------	-------------	------



Front Door Window & Related Parts - 65/66

# DOORS & WINDOWS

## OEM-Style Speakers



M 18808B	65/66; Front Door (Stereo) 4" x 8" .....	Pair	24.24
M 18808E	69/73; Front Door .....	Pair	40.35

### Door Speaker Grilles

M 18978A	69/70 .....	Pair	39.34
M 18978B	71/73; RH or LH .....	Each	21.16

### M 20200/1 Door Skins • Outside

M 20200A	65/66; RH .....	Each	81.35
M 20201A	65/66; LH .....	Each	81.35
M 20200B	67/68; RH .....	Each	81.35
M 20201B	67/68; LH .....	Each	81.35
M 20200C	69/70; RH .....	Each	149.43
M 20201C	69/70; LH .....	Each	149.43

### M 20264/5 Front Door Front At Belt Seal

M 20264/5A	69/70 .....	Pair	12.80
M 20264/5B	71/73 .....	Pair	18.13

### M 20272 Door Bottom Seal

M 20272A	69/70; Includes Fasteners .....	Pair	12.63
----------	---------------------------------	------	-------

### M 20530/1 Door to Body Weatherstrip

M 20530A	65/66; RH & LH, Includes Fasteners .....	Pair	19.82
M 20530B	67/68; RH & LH, Includes Fasteners .....	Pair	26.52
M 20530C	69/70; RH & LH, Includes Fasteners .....	Pair	30.25
M 20530D	71/73; RH & LH, Includes Fasteners .....	Pair	70.64
MSP 377163	65/68; Weatherstrip Retaining Pin .....	Each	.61

*See Page 125 For Attaching Parts Kit MHK 223.*

## Door Window Rear Upper Seal



M 20588/9A	65/66; (Coupe, Fastback, & Conv.) .....	Pair	9.59
M 20588/9B	67; Early .....	Pair	16.95
M 20588/9C	67/68 .....	Pair	9.95

*See Page 125 For Attaching Parts Kit MHK 56.*

## Door Edge Guard

### M 20910 Door Edge Guard

M 20910A	65/66; RH & LH; Stainless Steel .....	Pair	21.37
M 20910B	67/68; RH & LH; Stainless Steel .....	Pair	21.37
M 20910C	69/70; RH & LH; Stainless Steel .....	Pair	21.37
M 20910D	71/73; RH & LH; Stainless Steel .....	Pair	21.37

## Door/Trim Attaching Hardware

### M 21000A 65/66 Fastback. Includes Rubber For: Vent Windows,

Vent Window Division Bar, Vent Window Top Bumpers, Door Bumpers, Door Window Rear Seals, Around Door Weatherstrip & Roof Rail Weatherstrip .....	121.15
--	--------

*See Page 125 For Attaching Parts Kits MHK 56 & 207.*

### M 21000B 65/66 Coupe. Includes Rubber For: Vent Windows,

Vent Window Division Bar, Vent Window Top Bumpers, Door Bumpers, Door Window Rear Seals, Around Door Weatherstrip, Roof Rail Weatherstrips, Quarter Window Vehicle Weatherstrip & Quarter Window Seal .....	121.15
---	--------

*See Page 125 For Attaching Parts Kits MHK 56 & 207.*

### M 21000C 65/66 Convertible. Includes Rubber For: Vent

Windows, Vent Window Division Bar, Vent Window Top Bumpers, Door Bumpers, Door Window Rear Seals, Around Door Weatherstrip, Quarter Window Vehicle Weatherstrip, Quarter Window Seal & Windshield Pillar Weatherstrip .....	121.15
---	--------

*See Page 125 For Attaching Parts Kits MHK 56 & 207.*

### M 21000D 67/68 Fastback. Includes Rubber For: Vent Windows,

Seals In Front Of Vent Windows, Door Window Rear Seals, Door Bumpers, Around Door Weatherstrip & Roof Rail Weatherstrip .....	124.18
---	--------

*See Page 125 For Attaching Parts Kit MHK 56.*

### M 21000E 67/68 Coupe. Includes Rubber For: Vent Windows,

Seals In Front Of Vent Windows, Door Bumpers, Door Window Rear Seals, Around Door Weatherstrip, Roof Rail Weatherstrips, Quarter Window Vehicle Weatherstrip & Quarter Window Seals .....	127.21
---	--------

*See Page 125 For Attaching Parts Kit MHK 56.*

### M 21000F 67/68 Convertible. Includes Rubber For:

Vent Windows, Seals In Front Of Vent Windows, Door Bumpers, Door Window Rear Seals, Around Door Weatherstrip, Quarter Window Vehicle Weatherstrip, Quarter Window Seal & Windshield Pillar Weatherstrip .....	124.18
---	--------

*See Page 125 For Attaching Parts Kit MHK 56.*

*Can't make a decision on the best gift? Larry's gift certificates are the solution! Ask our Sales Specialists for complete details*

# DOORS & WINDOWS

<b>M 21232 Door Hinge Spring • Lower</b>		
M 21232A 65/68 .....	Each	2.09
<b>M 21414/5 Door Glass Weatherstrip • Rear</b>		
M 21414A 69/70; RH, (Fastback) .....		13.08
M 21415A 69/70; LH, (Fastback) .....		13.08
M 21414B 69; RH, (Coupe & Convertible) .....		13.08
M 21415B 69; LH, (Coupe & Convertible) .....		13.08
<b>M 21448/9 Vent Window Weatherstrip</b>		
M 21448A 65/66; RH .....		16.92
M 21449A 65/66; LH .....		16.92
M 21448B 67/68; RH .....		19.95
M 21449B 67/68; LH .....		19.95
<b>M 21450 Vent Window Division Bar Weatherstrip</b>		
M 21450A 65/66; RH or LH .....	Each	8.52
<i>See Page 125 For Attaching Parts Kit MHK 207.</i>		
<b>M 21455 Door, Top Belt Kit - Inside &amp; Outside</b>		
M 21455A 65/66; 4 Piece Kit, Doors Only, (All Models) .....		48.95
M 21455B 67/68; 4 Piece Kit, Doors Only, (All Models) .....		48.95
M 21455C 69/70; 4 Piece Kit, Doors Only, (All Models) .....		48.95

## Door Shell

<b>M 20124/5 Door Shell</b>		
M 20124A 65/66; RH .....	Each	295.00
M 20125A 65/66; LH .....	Each	295.00
M 20124B 67/68; RH .....	Each	395.00
M 20125B 67/68; LH .....	Each	395.00
M 20124C 69/70; RH .....	Each	395.00
M 20125C 69/70; LH .....	Each	395.00

## Door Lower Moulding

These aluminum moldings are extruded and formed with pride in the USA. Exact copies with polished edges and semi-gloss black recessed areas. Has cutouts for door courtesy lights and speakers. Black dust screen over speaker holes installed. Original equipment on all 1967-1968 cars with deluxe interior and/or optional radio. Also a great way to dress up standard interiors or cover unwanted speaker holes. Also fits 1964-1966 for a nice custom look.

<b>M 20956 Door Lower Moulding</b>		
M 20956A 67/68; Deluxe Interior .....	Pair	141.35

**Big Selection of Parts! Whether it's a hard to find part or a standard Thunderbird replacement part, Larry's has what you're looking for. Our inventory of parts is concours-quality. Give us a call if you can't find the parts you need. Our knowledgeable parts specialists will be happy to help!**

<b>M 21458 Doors &amp; Quarter Windows Top Inside &amp; Outside, Belt Kit - (Full Set)</b>		
M 21458A 65/66; (Coupe & Convertible), 8 Piece Kit .....		68.95
M 21458B 67/68; (Coupe), 8 Piece Kit .....		68.95
M 21458C 67/68; (Convertible), 8 Piece Kit .....		68.95
M 21458D 69/70; (Coupe), 8 Piece Kit .....		68.95
M 21458E 71/73; (Coupe), 8 Piece Kit .....		74.95
M 21458F 71/73; (Fastback), 8 Piece Kit .....		74.95
M 21458G 71/73; (Convertible), 8 Piece Kit .....		74.95
M 21458H 69/70; (Convertible), 8 Piece Kit .....		68.95
<b>M 21496 Window Guide</b>		
M 21496A 69/70; Plastic, Stronger than Original! (16 Req.) Each .....		.96

## Run & Bracket Assembly Vent Window Division Bar Glass



M 21538A 65/66; RH & LH.		
Includes Part M21774/5A .....		Pair 79.50

<b>M 21546/7 Front Door Glass Run • Hinge Side</b>		
M 21546A 67/68; RH & LH .....	Pair	35.95

## Vent Window Handle Bracket

M 21608A 65/66; RH .....	Each	14.95
M 21609A 65/66; LH .....	Each	14.95

<b>M 21762 Door Inside Window Stop Bumper</b>		
M 21762A 65/67; Before 12/30/66		
69/70; Fastback & Coupe Only (2 Required) ...	Each	3.16

## Front Door Vent Window Bumper

M 21774A 65/66; Upper,		
Includes Mounting Rivet .....	Pair	8.03

<b>M 21801 Door Latch Bushing</b>		
M 21801C 65/66, With Washers .....		3.28

<b>M 23258 Window Grommet</b>		
M 23258B 69/70; Protects door glass		
when Attaching The Window .....	Each	1.60

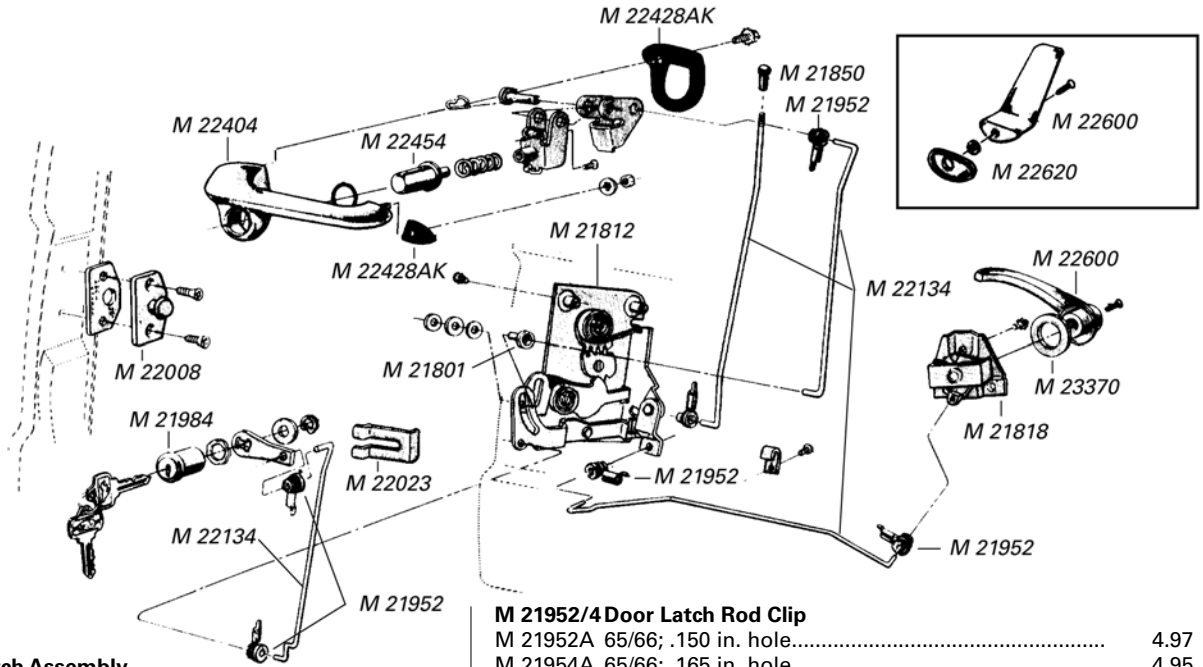


### Product Licensing

Larry's Thunderbird & Mustang Parts manufactures, sells and distributes a number of official Ford-Licensed & Approved parts and accessories. The logo shown above identifies these officially licensed products and our commitment to offering only the finest products available for your vehicle.

# DOORS & WINDOWS

Please See Pages 112-113 For Complete Diagrams & Listings of Weatherstrip Included in This Section.



## M 21812/3 Front Door Latch Assembly

M 21812A 65/66; RH.....	60.55
M 21813A 65/66; LH.....	60.55
M 21812B 67/68; RH.....	60.55
M 21813B 67/68; LH.....	60.55
M 21812C 69/70; RH.....	60.55
M 21813C 69/70; LH.....	60.55
M 21812D 71/73; RH.....	60.55
M 21813D 71/73; LH.....	60.55

## M 21952/4 Door Latch Rod Clip

M 21952A 65/66; .150 in. hole.....	4.97
M 21954A 65/66; .165 in. hole.....	4.95

## M 21984 Door Lock Cylinder

M 21984A 65/66; RH or LH.....	Pair	29.24
M 21984B 67/73; RH or LH.....	Each	20.15

## Door Handle Shaft Assembly

[ Inside ]

M 21818A  
Control & Link



M 21818A 65/66; RH, All Pony Interior.....	14.94
M 21818B 65/66; RH, All Standard Interior.....	14.94
M 21819A 65/66; LH, All Pony Interior.....	14.94
M 21819B 65/66; LH, All Standard Interior.....	14.94
M 21818C 67/68 RH.....	16.11
M 21819C 67/68 LH.....	16.11

## Door Lock Knob Grommet



M 21999B 65/69; from 6/5/64, Plastic; 70; (Coupe, Fastback & Convertible Standard Interior) 71/73; (Deluxe Interior) Ford replacement .....	1.02
M 21999D 70; (Deluxe Interior) Stainless Steel; 71/73; (Mach I, Grande) .....	3.98



## M 21850 Door Latch Rod Knob

M 21850A 65/66; Chrome Finish.....	2.09
M 21850B 67; Chrome Finish.....	6.38
M 21850C 68/73; Chrome Finish.....	2.68

## Door Lock Rod Assembly

M 22134A 65/66; RH, 3-Piece Set.....	Set	30.25
M 22135A 65/66; LH, 3-Piece Set.....	Set	30.25
M 22134B 67/68; RH, 3-Piece Set.....	Set	30.25
M 22135B 67/68; LH, 3-Piece Set.....	Set	30.25
M 22134C 69/70; RH, 3-Piece Set.....	Set	30.25
M 22135C 69/70; LH, 3-Piece Set.....	Set	30.25

## Striker Plate



M 22008A 65/66; Includes Screws.....	13.89	
M 22008B 67/70.....	14.34	
M 22008C 71/72.....	13.58	
MSP 378428 65/70; Striker Plate Screw.....	Each	1.62

## M 22023 Door Lock Cylinder Retainer

M 22023B 67/70; Doors & Luggage Compartment.....	Each	2.98
M 22023C 71/73.....	Each	5.60



# DOORS & WINDOWS

## Lock Sets



<b>M 22050</b>	<b>Lock Sets &amp; Separate Lock, Cylinder &amp; Keys</b>	
M 22050A	65/66; Lock Set, 2 Doors & Ignition.....	36.75
M 22050B	67/69; Lock Set; 2 Doors & Ignition.....	32.08
M 22050C	70/73; Lock Set, 2 Doors & Ignition; Before 5/15/73.....	38.51
M 22050D	73; Lock Set, 2 Doors & Ignition; After 5/15/73.....	38.51
<b>M 22051</b>	<b>Key Blanks</b>	
M 22051A	65/66; Ignition & Trunk Keys; As Original.....	3.95
M 22051B	67/73; Ignition & Trunk Keys; Dual-Side, with Pony on one side and FORD on the other.....	4.98

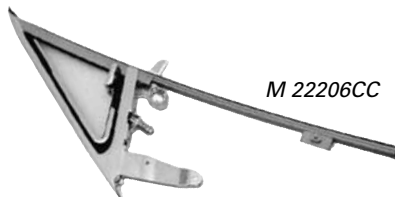
## Door Lock Rod Set

M 22134C	69/70; RH, 3 Piece Set.....	30.25
M 22135C	69/70; LH, 3 Piece Set.....	30.25

## Vent Window Frame

M 22204A	65/66; RH.....	136.35
M 22205A	65/66; LH.....	136.35
M 22204B	67/68; RH.....	151.45
M 22205B	67/68; LH.....	151.45

## Vent Window Frame & Glass Kit



M 22206AC	65/66; RH; Clear Glass.....	Each	295.95
M 22207AC	65/66; LH; Clear Glass.....	Each	295.95
M 22206AT	65/66; RH; Tinted Glass.....	Each	295.95
M 22207AT	65/66; LH; Tinted Glass.....	Each	295.95
M 22206BC	67; RH; Clear Glass.....	Each	314.95
M 22207BC	67; LH; Clear Glass.....	Each	314.95
M 22206BT	67; RH; Tinted Glass.....	Each	314.95
M 22207BT	67; LH; Tinted Glass.....	Each	314.95
M 22206CC	68; RH; Clear Glass.....	Each	314.95
M 22206CT	68; RH; Tinted Glass.....	Each	314.95
M 22207CC	68; LH; Clear Glass.....	Each	314.95
M 22207CT	68; LH; Tinted Glass.....	Each	314.95

*These kits include the vent glass, chrome frame, front run & lock handle*

<b>M 22220/1</b>	<b>Door Glass Rear Moulding</b>	
M 22220A	69/70; RH Fastback.....	Each 70.65
M 22221A	69/70; LH Fastback.....	Each 70.65

## Clip, Roofrail Weatherstrip & Window Guide

M 22244A	69; 2+2 & Coupe 4 Required.....	2.53
M 22244B	71/73; 2+2 & Coupe at Quarter 2 Required.....	2.53
M 22244C	71/73; Fits All at Door 2 Required.....	2.53

<b>Front of Vent Window to Door Seal</b>	
M 22332A	67/68..... Pair 11.06

## Front Door Handle Assembly



M 22404AK	65/66 & 69/70; RH & LH Handles (Includes Attaching Parts).....	32.50
M 22404BK	67/68; RH & LH Handles (Includes Attaching Parts).....	25.20
M 22404C	71/73; Right Hand Side.....	49.95
M 22405C	71/73; Left Hand Side.....	49.95

<b>M 22428</b>	<b>Door Outside Handle Pad Kit</b>	
M 22428AK	65/66 & 69/70; 4 Piece Kit.....	4.55
M 22428BK	67/68; 4 Piece Kit.....	4.55



## Interior Door Handles

<b>M 22600/1</b>	<b>Door Handle • Interior</b>	
M 22600A	Early 65; RH or LH.....	11.73
M 22600B	65/67; RH or LH, (Standard & Bench Seat Interiors).....	Each 10.66
M 22600E	68; RH.....	26.21
M 22601E	68; LH.....	26.21
M 22600F	69/70; RH.....	22.17
M 22601F	69/70; LH.....	22.17
M 22600G	71/73; RH.....	22.17
M 22601G	71/73; LH.....	22.17
MSP 381571	67; Door Handle Screw.....	Each 4.03

*See Page 125 For Attaching Parts Kits MHK 158, 278 & 28*

## Interior Door Handle Kits

Our kits include the doorhandles, front and rear window handles, spacer plates and hardware. NOTE: The 1968/70 window handles do not include the plastic knobs. See parts number M23352 for the correct color knob, sold separately.

M 22600AK	64/65; Clip on Type.....	Kit 45.95
M 22600BK	64/65; Screw on Type.....	Kit 63.95
M 22600CK	64/65; Pony Interior.....	Kit 59.95
M 22600DK	67.....	Kit 56.95
M 22600EK	68; (Window Handles Do Not Include Knob).....	Kit 74.95
M 22600FK	69/70; (Window Handles Do Not Include Knob).....	Kit 64.95

## Pony Interior Door Handles



M 22600H	65/66; RH.....	16.95
M 22601I	65/66; LH.....	16.95

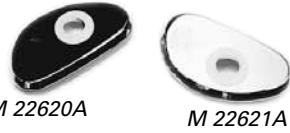
*See Page 125 For Attaching Parts Kits MHK 158, 278 & 280.*

## Door Handle Bezel

M 22634D	69/70; Trim Behind The Inside Door Handle.....	Pair 26.95
----------	--	------------

# DOORS & WINDOWS

## Pony Door Handle Backing Plate



<b>M 22620</b>	<b>Pony Door Handle Backing Plate - Inside</b>	
M 22620A	65/66; RH.....	4.95
M 22621A	65/66; LH.....	4.95

## Door Pull End Cap, Deluxe Interior

M 22670A	68; Includes Woodgrain Insert, 20 pc.....	Kit	42.37
----------	---	-----	-------

## Door Hinge Repair Kit

M 22800K	65/66; Includes pins, bushings, cam plate spring & roller. ..Will rebuild upper and lower door hinges on one side.....		16.11
----------	--	--	-------

## Door Hinges & Related Parts



<b>M 22800/1</b>	<b>Door Hinge Assembly • Upper</b>	<b>M 22810A</b>
M 22800A	65/66; RH.....	34.22
M 22800C	69/70.....	64.95
M 22800B	67/68; RH.....	49.95
M 22801B	67/68; LH.....	49.95
M 22801A	65/66; LH.....	34.22
M 22801C	69/70; LH.....	64.95
M 22800D	71/73; Upper RH.....	Each 57.95
M 22801D	71/73; Upper LH.....	Each 57.95

See Page 125 For Attaching Parts Kit MHK 150.

<b>M 22810/1</b>	<b>Door Hinge &amp; Check Assembly • Lower</b>	
M 22810A	65/66; RH.....	34.22
M 22811A	65/66; LH.....	34.22
M 22810B	67/68; RH.....	69.64
M 22811B	67/68; LH.....	69.64
M 22810C	69/70; RH.....	Each 69.75
M 22811C	69/70; LH.....	Each 69.75
M 22810D	71/73; Lower RH.....	Each 89.95
M 22811D	71/73; Lower LH.....	Each 89.95

See Page 125 For Attaching Parts Kit MHK 150.

<b>M 22840</b>	<b>Door Hinge Pin</b>	
M 43030A	68/73; 3 1/2".....	3.86
M 43030B	65/68; 2 1/2".....	2.09
<b>M 22841</b>	<b>Door Hinge Bushing</b>	
M 22841A	65/73;	
	67/73; (Convertible) Folding top.....	Each 1.61

## Vent Window Handle



M 22916A	65/66; RH.....	13.89
M 22917B	65/66; LH.....	13.89
M 22916C	67; RH & LH.....	Pair 32.27
M 22916D	68; RH.....	15.95
M 22917E	68; LH.....	15.95

<b>M 23030</b>	<b>Door Bumper • Upper</b>	
M 23030A	65/68; (4) Required.....	Each .86

<b>M 23200/1</b>	<b>Door Window Regulator Assembly • Manual</b>	
M 23200A	67; RH.....	59.95
M 23201A	67; LH.....	59.95
M 23200B	68; RH.....	59.95
M 23201B	68; LH.....	59.95
M 23200C	69; RH.....	69.95
M 23201C	69; LH.....	69.95
M 23200D	70; RH.....	69.95
M 23201D	70; LH.....	69.95
M 23200E	71/73; RH.....	Each 70.65
M 23201E	71/73; LH.....	Each 70.65

Note: Refer to Parts Group M 23202/3 for 65/66.

## Front Door Window Regulator Assembly



<b>M 23202/3</b>	<b>Door Window Regulator Assembly • Manual</b>	
M 23202A	64 1/2 through early 65; RH; Clip-On Type • (Less Arms).....	30.25
M 23202B	65/66; RH; Uses Screw-On Type • (Less Arms).....	35.29
M 23203A	64 1/2 through early 65; LH; Clip-On Type • (Less Arms).....	30.25
M 23203B	65/66; LH; Uses Screw-On Type • (Less Arms).....	35.29
MSP 74274	65/66; Window Regulator Clip. Holds Regulator Arm to Scissors Assembly.....	Each .96

## Window Regulator Scissor Assembly



M 23234A	65/66; RH.....	34.95
M 23235A	65/66; LH.....	34.95

<b>M 23240</b>	<b>Window Regulator Arm Roller</b>	
M 23240A	65/66 - All; 67/68 (Coupe & Convertible) Rear Quarter Window Only.....	Each 1.45

Note: See Also Parts Group M 26232 on page 93.

## Window Regulator Handles

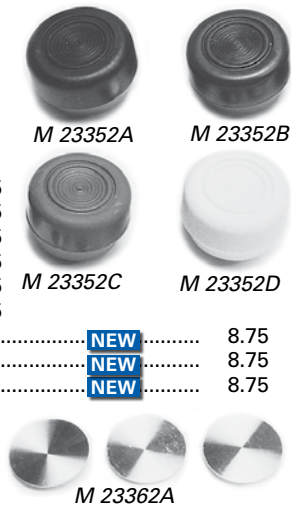


M 23342A	65; (Before 3/8/65); Includes Chrome Knob.....	10.05
M 23342B	65/67; (From 3/8/65); Includes Chrome Knob.....	10.18
M 23342C	72; (From 10/1/71); Includes Knob.....	19.95
M 23342E	68/70; (Does not include knob).....	12.63

See Page 125 For Attaching Parts Kits MHK 158, 278 & 280.

# DOORS & WINDOWS

## Window Regulator Handle Knob



M 23352A	68/72; Black.....	<b>NEW</b>	4.95
M 23352B	68/72; Blue.....	<b>NEW</b>	4.95
M 23352C	68/72; Ginger.....	<b>NEW</b>	8.75
M 23352D	68/72; White.....	<b>NEW</b>	8.75
M 23352E	68/72; Red.....	<b>NEW</b>	8.75
M 23352F	68/72; Maroon.....	<b>NEW</b>	8.75
M 23352G	68/72; Green.....	<b>NEW</b>	8.75
M 23352H	68/72; Ivy Gold.....	<b>NEW</b>	8.75
M 23352K	68/72; Parchment.....	<b>NEW</b>	8.75

Also Used On Replacement 68/70 Quarter Window Handles.

<b>M 23362</b>	<b>Window Handle Cover</b>		
M 23362A	68/73; Aluminum.....	Each	1.67

<b>M 23370</b>	<b>Window Regulator Handle Plate</b>		
M 23370A	65/66; Door.....		1.45
M 23370B	67/68; Door.....		1.35
<b>M 23370</b>	<b>Window Regulator Handle Plate</b>		
M 23370C	69/73; Chrome.....	Each	8.03
<b>M 23424</b>	<b>Electric Window Drive Gear Kit</b>		
M 23424A	71/73; Door & Rear Quarter Window.....		34.28
<b>M 23942</b>	<b>Water Shield Kit</b>		
M 23942A	65/66; Coupe.....		11.95
M 23942B	65/66; Convertible.....		11.95
M 23942C	65/66; Doors.....		9.95
M 23942D	67/68; Coupe.....		11.95
M 23942E	67/68; Convertible.....		11.95
M 23942F	67/68; Doors.....		9.95
M 23942G	69/70; Coupe.....		11.95
M 23942H	69/70; Convertible.....		11.95
M 23942I	69/70; Doors.....		9.95
<b>M 23944</b>	<b>Door Panel Mouldings</b>		
M 23944A	65/66.....		121.15
M 23944B	67; Stainless Steel.....		131.25
M 23944C	69/70; Lower.....	Pair	179.95
M 23944D	71/73;.....	Each	89.95

## Deluxe Door Armrest Screw Hole Plug

M 24056A	67; Black, 2 Pieces.....	Pair	7.02
M 24056B	68; Black, 4 Pieces.....	Set	8.03

## Arm Rest Cup Insert

M 24046A	65/66; Black.....	Each	3.99
M 24046B	65; Red.....	Each	3.99
M 24046C	65/66; White.....	Each	3.99
M 24046E	65/66; Parchment.....	Each	3.99
M 24046/7F	69; Black.....	Pair	4.95
M 24046G	66; Red.....	Each	3.99

## Arm Rest Pad

MAR 65BU	65; Blue.....	Each	9.59
MAR 65RD	65; Red.....	Each	9.59
MAR 65BK	65/66; Black.....	Each	9.59
MAR 65IG	65; Ivy Gold.....	Each	9.59
MAR 65PO	65; Palomino.....	Each	9.59
MAR 65WT	65; White.....	Each	9.59
MAR 66RD	66; Red.....	Each	9.59
MAR 66AQ	66; Aqua.....	Each	9.59
MAR 66PT	66; Parchment.....	Each	9.59
MAR 66BU	66; Blue.....	Each	9.59

## Arm Rest



M 24146  
Arm Rest  
Mounting Clip

M 24144A  
Arm Rest Base

See  
Page 94

MAR 67AQ	67; RH or LH; Aqua.....		23.51
MAR 67BU	67; RH or LH; Blue.....		17.95
MAR 67BK	67; RH or LH; Black.....		17.95
MAR 67IG	67; RH or LH; Ivy Gold.....		23.51
MAR 67MN	67; RH or LH; Maroon.....		17.95
MAR 67PT	67; RH or LH; Parchment.....		17.95
MAR 67SD	67; RH or LH; Saddle.....		23.51
MAR 68AQR	68; RH Aqua (Std. Interior).....		31.01
MAR 68AQL	68; LH Aqua (Std. Interior).....		31.01
MAR 68BKR	68; RH Black (Std. Interior).....		19.95
MAR 68BKL	68; LH Black (Std. Interior).....		19.95
MAR 68BKDR	68; RH Black (Deluxe. Interior).....		65.60
MAR 68BKDL	68; LH Black (Deluxe. Interior).....		65.60
MAR 68BUR	68; RH Blue (Std. Interior).....		19.95
MAR 68BUL	68; LH Blue (Std. Interior).....		19.95
MAR 68BUDR	68; RH Blue (Deluxe. Interior).....		65.60
MAR 68BUDL	68; LH Blue (Deluxe. Interior).....		65.60
MAR 68IGR	68; RH Ivy Gold (Std. Interior).....		19.95
MAR 68IGL	68; LH Ivy Gold (Std. Interior).....		19.95
MAR 68MNRD	68; RH Red (Deluxe. Interior).....		65.60
MAR 68MNDL	68; LH Red (Deluxe. Interior).....		65.60
MAR 68MNR	68; RH Maroon (Std. Interior).....		19.95
MAR 68MNL	68; LH Maroon (Std. Interior).....		19.95
MAR 68NGR	68; RH Nugget (Std. Interior).....		19.95
MAR 68NGL	68; LH Nugget (Std. Interior).....		19.95
MAR 68PTR	68; RH Parchment (Std. Interior).....		19.95
MAR 68PTL	68; LH Parchment (Std. Interior).....		19.95
MAR 68PTDR	68; RH Parch. (Deluxe. Interior).....		65.60
MAR 68PTDL	68; LH Parch. (Deluxe. Interior).....		65.60
MAR 68SDR	68; RH Saddle (Std. Interior).....		19.95
MAR 68SDL	68; LH Saddle (Std. Interior).....		19.95
MAR 69BKR	69/70; RH Black.....		21.95
MAR 69BKL	69/70; LH Black.....		21.95
MAR 69BUR	69; RH Blue.....		21.95
MAR 69BUL	69; LH Blue.....		21.95
MAR 69IVR	69; RH Ivy Gold.....		21.95
MAR 69IVL	69; LH Ivy Gold.....		21.95
MAR 69MNR	69; RH Maroon (Red).....		21.95
MAR 69MNL	69; LH Maroon (Red).....		21.95
MAR 69NGR	69; RH Nugget Gold.....		21.95
MAR 69NGL	69; LH Nugget Gold.....		21.95
MAR 70BUR	70; RH Blue.....		21.95
MAR 70BUL	70; LH Blue.....		21.95
MAR 70GIR	70; RH Ginger.....		21.95
MAR 70GIL	70; LH Ginger.....		21.95
MAR 70IVR	70; RH Ivy Gold.....		21.95
MAR 70IVL	70; LH Ivy Gold.....		21.95
MAR 70RDR	70; RH Red.....		21.95
MAR 70RDL	70; LH Red.....		21.95
MAR 70WTR	70; RH White.....		21.95
MAR 70WTL	70; LH White.....		21.95
MAR 71BKR	71/73; RH Black.....		21.95
MAR 71BKL	71/73; LH Black.....		21.95
MAR 71BUR	71/73; RH Blue.....		21.95
MAR 71BUL	71/73; LH Blue.....		21.95
MAR 71GIR	71/73; RH Ginger.....		21.95
MAR 71GIL	71/73; LH Ginger.....		21.95
MAR 71GNR	71/73; RH Green.....		21.95
MAR 71GNL	71/73; LH Green.....		21.95
MAR 71RDR	71/73; RH Red.....		21.95
MAR 71RDL	71/73; LH Red.....		21.95
MAR 71WTR	71/73; RH White.....		21.95
MAR 71WTL	71/73; LH White.....		21.95

# DOORS & WINDOWS

<b>M 24142 Pony Door Panel Arm Rest Cup</b>		
M 24142A 65/67; Black .....	Each	10.75
M 24142B 65/67; White .....	Each	10.75
M 24142C 65; Red.....	Each	10.75
M 24142D 66; Red.....	Each	10.75
M 24142E 66; Parchment.....	Each	10.75
M 24142F 69; Long-Style.....	Pair	20.15
M 24142G 70; Short-Style.....	Pair	20.15
<b>M 24143 Door Panel Cup Bracket</b>		
M 24143A 65/66 .....	Each	3.99
<b>M 24144 Door Arm Rest Base - Chrome</b>		
M 24144A 65/66 .....	Each	6.97
M 24144B 71/73; Chrome.....	Each	18.95
<i>See Page 125 For Attaching Parts Kit MHK 41.</i>		
<b>M 24146 Arm Rest Mounting Clip</b>		
M 24146A 67/68 .....	Each	.86
M 24146B 69/70; 6 Piece Set.....	Set	23.23

## Door Bumper



M 26528A 69/72; (4 Required) .....	Each	1.02
------------------------------------	------	------

## Door Pulls (Deluxe Interiors)

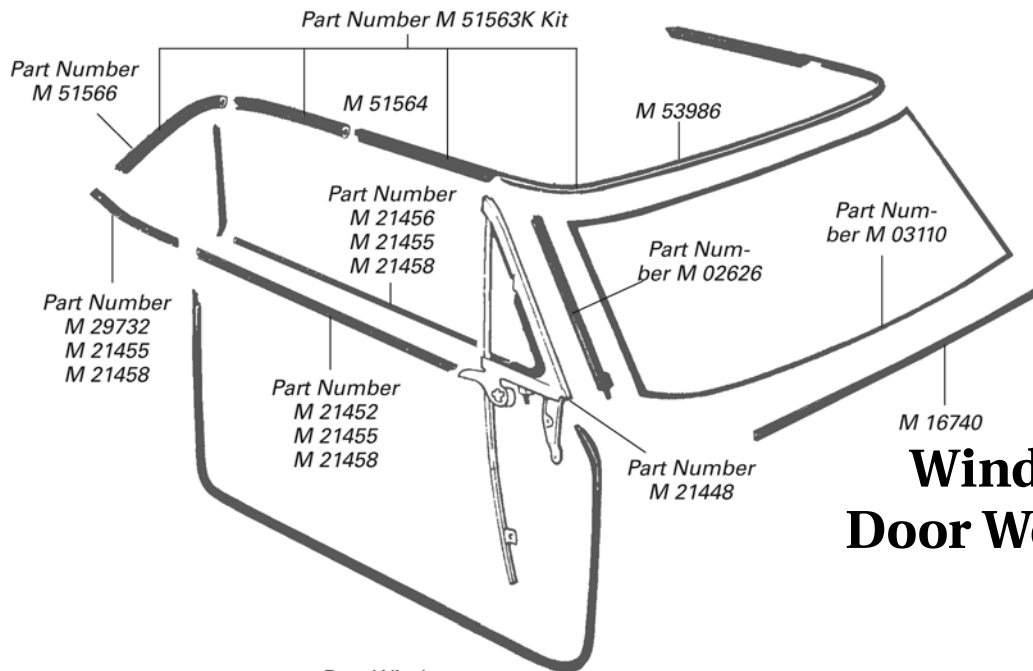
M 26656A 68; Maroon.....	Each	25.20
M 26656B 68; Blue.....	Each	25.20
M 26656C 68; Parchment.....	Each	25.20
M 26656D 68; Saddle .....	Each	25.20
M 26656E 68; Ivy Gold.....	Each	25.20
M 26656F 68; Nugget Gold .....	Each	25.20
M 26656G 68; Aqua .....	Each	25.20
M 26656H 68; Black .....	Each	32.57

### Door Hinge Spring Compressor

A great tool to use when rebuilding door hinges. Not for use when spring is still in the car. MAC 25 .....

Each	21.95
------	-------

## Weatherstripping



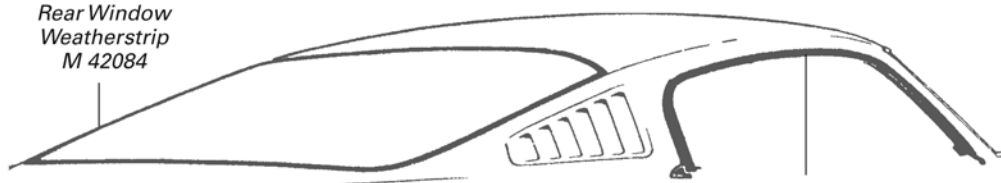
## Windshield & Door Weatherstrip

### Coupe Weatherstrip



Roof Side Rail Or (Door Opening) Weatherstrip • Part Number M 51222

Rear Window Weatherstrip M 42084



Roof Side Rail Or (Door Opening) Weatherstrip • Part Number M 51222

### Fastback Weatherstrip

## Quarter Latch Pillar to Window Frame Seal

<b>M 28182/3</b>	<b>Quarter Latch Pillar to Window Frame Seal</b>		
M 28182/3A	65/66; (Coupe & Convertible)	Pair	10.66
M 28182/3B	67/68; (Coupe & Convertible)	Pair	9.75
M 28182/3C	69/70; (Fastback)	Pair	13.08
M 28182/3D	71/73; (Coupe & Convertible)	Pair	16.11
M 28182/3E	69/70; (Coupe & Convertible)	Pair	18.13

See Page 125 For Attaching Parts Kit MHK 56.

## Quarter Window Assembly, Rear

M 29706A	69/70; RH Rear, Fastback	Each	126.95
M 29707A	69/70; LH Rear, Fastback	Each	126.95

## Quarter Window Moulding

M 29796A	69/70; Fastback, Chrome	Pair	89.95
----------	-------------------------	------	-------

## Rear Quarter Window Frame and Glass Assembly

M 29958AC	65/66; RH Clear Glass	Each	329.95
M 29958AT	65/66; RH Tinted Glass	Each	329.95
M 29958BC	67/68; RH Clear Glass	Each	329.95
M 29958BT	67/68; RH Tinted Glass	Each	329.95
M 29959AC	65/66; LH Clear Glass	Each	329.95
M 29959AT	65/66; LH Tinted Glass	Each	329.95
M 29959BC	67/68; LH Clear Glass	Each	329.95
M 29959BT	67/68; LH Tinted Glass	Each	329.95

## M 30146/7 Quarter Window Weatherstrip • Front

M 30146A	65/68; RH, (Coupe)	7.09
M 30147A	65/68; LH, (Coupe)	7.09
M 30146B	65/68; RH, (Convertible)	6.57
M 30147B	65/68; LH, (Convertible)	6.57
M 30146C	71/73; RH, (Fastback)	28.23
M 30146D	71/73; RH, (Coupe & Convertible)	28.23
M 30147C	71/73; LH, (Fastback)	28.23
M 30147D	71/73; (Coupe & Convertible)	28.23

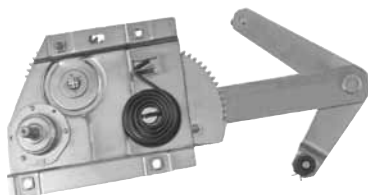
## Qtr. Window Handles

M 30204A	69/70; Fastback	Pair	46.41
----------	-----------------	------	-------

## Quarter Window Pivot Cover

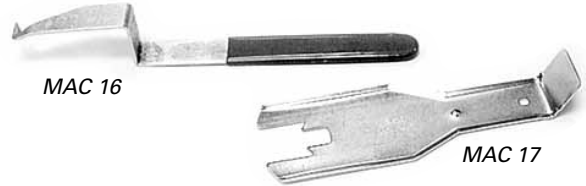
<b>M 30246</b>	<b>Quarter Window Pivot Cover</b>		
M 30246A	69/70; Fastback, Goes on pivot rod at fiberglass interior panel	Pair	13.08

## Quarter Window Regulator



<b>M 30306/7</b>	<b>Quarter Window Regulator</b>		
M 30306A	65/66; RH, Rear		63.13
M 30307A	65/66; LH, Rear		63.13

## Special Tools for Window & Door Restoration Projects



## Window Moulding Removal Tool offers Professional Results!

To make your job of removing window moulding easier you'll want to pick up our tool designed especially for this purpose. After using it you'll find the results quite remarkable. Why not save time and frustration right from the beginning by using the correct tool!

MAC 16	Moulding Removal Tool	Each	9.04
--------	-----------------------	------	------

## Why Skin Up Your Knuckles When You Can Remove Your Door Handles the Proper Way?

Ever wonder why you went ahead and attempted to remove that stubborn clip-on type door handle, only to find that you slipped and put a big tear in your expensive upholstery? There is an easy way to get things done properly, without frustration. Our Door & Window Handle Removal Tool is made especially for what its name implies- to remove the clips that hold the door and window handle in place. This tool makes your life easy with virtually no chance of tearing door panel upholstery.

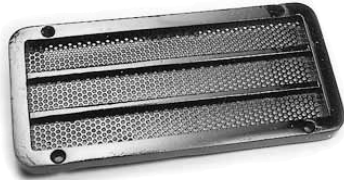
MAC 17	Door Handle Tool	Each	10.05
--------	------------------	------	-------

*Big Selection of Parts! Whether it's a hard to find part or a standard Thunderbird replacement part, Larry's has what you're looking for. Our inventory of parts is concours-quality. Give us a call if you can't find the parts you need. Our knowledgeable parts specialists will be happy to help!*

# DOORS & WINDOWS

## Original-Style Door Panel Grille

An authentic reproduction of original Door Panel Grille. MRD MS-MSG 65/66  
Pair..... 49.95



## Speakers to fit in your 1967-68 Mustang's doors- Without Modifications!

When it's time to upgrade the speakers in your Mustang's door, choose the 4" x 6" 2-way speaker (30 watts) designed for 1967/68 Mustangs. Easy installation without modifications.

MRD S10 4 x 6" 2-Way 30W ..... Pair 40.35

## Window Regulator Handles



M 30322 Window Regulator Handle  
M 30322A 65-(Early); Quarter Window (Coupe & Convertible)..... 13.08  
M 30322B 65/67; Quarter Window (Coupe & Convertible)..... 13.82  
M 30322C 68/70; Quarter Window (See Note) ..... 17.02  
*Note: See Part No. M 23352 for Knob Assembly.*

## Door Hinge Pin

M 43030A 68/73; 3 1/2" ..... Each 3.86  
M 43030B 65/68; 2 1/2" ..... Each 2.09

## Roof Side Rail Weatherstrip

M 51222A 65/66; RH & LH; (Fastback)..... Pair 46.41  
M 51222B 67/68; RH & LH; (Fastback)..... Pair 53.45  
M 51222C 69/70; RH & LH; (Fastback)..... Pair 78.70  
M 51222D 65/66; RH & LH; (Coupe) ..... Pair 21.37  
M 51222E 67/68; RH & LH; (Coupe) ..... Pair 26.21  
M 51222F 69/70; RH & LH; (Coupe) ..... Pair 45.40  
M 51222G 71/73; RH & LH; (Except Convertible)..... Pair 68.50

*\*\*Note: Please See pages 94 & 111 for illustration of this part number.*

## Roof Side Drip Rail Moulding

M 51726/7A 65/68; (Coupe), Stainless ..... Pair 50.45  
M 51726/7B 65/66; (Fastback), Stainless ..... Pair 60.55  
M 51726/7C 67/68; (Fastback) ..... Pair 60.55  
M 51726/7D 69/70; (Fastback) ..... Pair 64.59  
M 51726/7E 69/70; (Coupe)..... Pair 65.60

## Lower Door Skin

Wraps around front, back and bottom edges. Features original contours.

MPP 110L 65/66; LH; 7 1/2" high ..... 65.85  
MPP 110R 65/66; RH; 7 1/2" high ..... 65.85

## Attaching Hardware for this Section

MHK 35 Socket Kit, Headlamp; Replacement Kit, 65/73 ..... 4.75  
MHK 37 Door Panel Clip w/Foam Insulation, 65/68 (Kit of 15)..... 17.61  
MHK 38 Clip Kit, Door Panel; (Kit of 15- enough for 1 door panel), 65/69 ..... 5.33  
MHK 38A Clip Kit, Pony Door Panels; 65/66. Also for 69/73 Deluxe Panels. (Kit of 15)..... 9.19  
MHK 41 Screws, Armrest Base to Door; Standard Interior 65/66, (Kit of 2) ..... 1.93  
MHK 49 Screw Kit, Step Plate; 65/69 (Kit of 9)..... 4.37  
MHK 56 Screw Kit, Door Face; 65/66 (Kit of 12)..... 4.75  
MHK 57 Screw Kit, Door Courtesy Lamp; 65/66, (Kit of 4) ..... 2.18  
MHK 58 Screw Kit, Sill Plate Repair; 65/69 ..... 2.18  
MHK 150 Bolt Kit, Door Hinge; 65, (Kit of 6) ..... 5.33  
MHK 158 Screw Kit, Door Handle; Inside, Chrome, 65/66 (Kit of 4)..... 4.75  
MHK 161 Screw Kit, Quarter Window Handle; 65/68, (Kit of 2 Each) ..... 3.08  
MHK 182 Screw Kit, Lower Sill Plate, 65/68 ..... 2.18  
MHK 241 Plug, Door Face Metal; 65/66 ..... Each 3.54  
MHK 278 Clip Kit, Door & Window Handle Retaining Type; 64/65 early, (Set of 2) ..... 1.80  
MHK 280 Spring Kit, Door & Window Handle; 65/67, (Kit of 2)..... 2.18  
MSP 74274 Clip, Window Regulator; holds window regulator arm to the "scissors" assembly ..... Each .96  
MSP 377163 Pin, 65/66 Door Weatherstrip ..... Each .61  
MSP 378428 Screw, Striker Plate; 65/70 ..... Each 1.62  
MSP 379061 Clip, Door Speakers to Courtesy Lamp Loom, 65/66 (6 Required) ..... Each .61  
MSP 381571 Screw, Door Handle; 67, Self-tapping oval head #8, 32 x 5/8" ..... Each 4.03



*Your Number One Source for  
Mustang Restoration Parts!*

# DOORS & WINDOWS

## We Offer the Highest Quality Door Panels for Your Mustang!

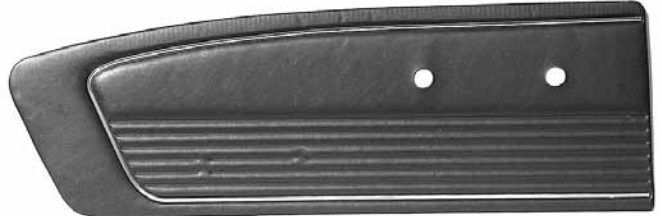
### Standard Door Panels

MDP 65BK	65	Black	Standard	Pair	74.95
MDP 65BU	65	Blue	Standard	Pair	74.95
MDP 65IG	65	Ivy Gold	Standard	Pair	74.95
MDP 65PO	65	Palomino	Standard	Pair	74.95
MDP 65RD	65	Red	Standard	Pair	74.95
MDP 65WT	65	White	Standard	Pair	74.95
MDP 66AQ	66	Aqua	Standard	Pair	74.95
MDP 66BK	66	Black	Standard	Pair	74.95
MDP 66BU	66	Blue	Standard	Pair	74.95
MDP 66PT	66	Parchment	Standard	Pair	74.95
MDP 66RD	66	Red	Standard	Pair	74.95
MDP 67AQ	67	Aqua	Standard	Pair	74.95
MDP 67BK	67	Black	Standard	Pair	74.95
MDP 67BU	67	Blue	Standard	Pair	74.95
MDP 67IG	67	Ivy Gold	Standard	Pair	74.95
MDP 67MN	67	Maroon	Standard	Pair	74.95
MDP 67PT	67	Parchment	Standard	Pair	74.95
MDP 67SD	67	Saddle	Standard	Pair	74.95
MDP 68AQ	68	Aqua	Standard	Pair	74.95
MDP 68BK	68	Black	Standard	Pair	74.95
MDP 68BU	68	Blue	Standard	Pair	74.95
MDP 68IG	68	Ivy Gold	Standard	Pair	74.95
MDP 68MN	68	Maroon	Standard	Pair	74.95
MDP 68NG	68	Nugget Gold	Standard	Pair	74.95
MDP 68PT	68	Parchment	Standard	Pair	74.95
MDP 68SD	68	Saddle	Standard	Pair	74.95
MDP 69BK	69	Black	Standard	Pair	125.00
MDP 69BU	69	Blue	Standard	Pair	125.00
MDP 69IG	69	Ivy Gold	Standard	Pair	125.00
MDP 69MN	69	Maroon	Standard	Pair	125.00
MDP 69NG	69	Nugget Gold	Standard	Pair	125.00
MDP 70BK	70	Black	Standard	Pair	125.00
MDP 70BU	70	Blue	Standard	Pair	125.00
MDP 70GI	70	Ginger	Standard	Pair	125.00
MDP 70IG	70	Ivy Gold	Standard	Pair	125.00
MDP 70RD	70	Red	Standard	Pair	125.00
MDP 70WT	70	White	Standard	Pair	125.00
MDP 71BK	71/73	Black	Standard	Pair	125.00
MDP 71BU	71/73	Blue	Standard	Pair	125.00
MDP 71GI	71/73	Ginger	Standard	Pair	125.00
MDP 71GN	71/73	Green	Standard	Pair	125.00
MDP 71RD	71/73	Red	Standard	Pair	125.00
MDP 71WT	71/73	White	Standard	Pair	125.00

See Page 120 For Attaching Part Kits MHK 37, 38 & 280.



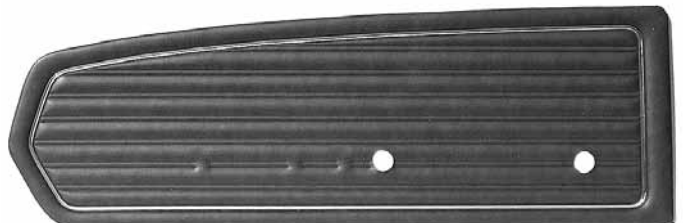
65 Standard Door Panel



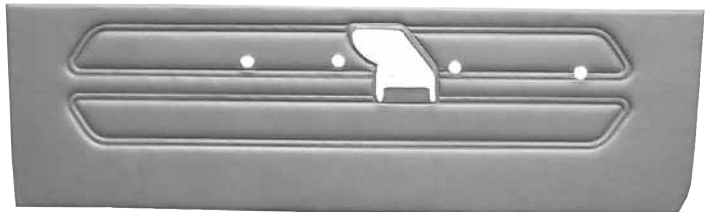
66 Standard Door Panel



67 Standard Door Panel



68 Standard Door Panel



69 Standard Door Panel

### Door & Quarter Panel Interior Watershields

M 23942A	65/66; Coupe, 4-Piece Kit.....	11.95
M 23942B	65/66; Convertible, 4-Piece Kit.....	11.95
M 23942C	65/66; Fastback, Coupe & Conv., Doors only 2-Piece Kit.....	9.95
M 23942D	67/68; Coupe, 4-Piece Kit.....	11.95
M 23942E	67/68; Convertible, 4-Piece Kit.....	11.95
M 23942F	67/68; Fastback, Coupe & Conv., Doors Only 2-Piece Kit.....	9.95
M 23942G	69/70; Coupe, 4-Piece Kit.....	11.95
M 23942H	69/70; Convertible, 4-Piece Kit.....	11.95
M 23942I	69/70; Fastback, Coupe & Conv., Doors Only 2-Piece Kit.....	9.95

### 69/70 Deluxe Interior Door Trim Panel

M 23943A	69/70; Dark Walnut Insert.....	Pair	89.95
M 23943B	69/70; Light Teak Insert.....	Pair	89.95

### 67 Deluxe Door Panel Insert

M 23722A	1967; Brushed aluminum. Complete with raised bead & attaching spikes on the back. Ready to install .....	Pair	139.95
----------	--	------	--------

## Door Panel Removal Tool

Make your job of removing your Mustang's door panel easier and safer with our Door Panel Removal Tool. When used correctly, your door restoration project can be performed easily and efficiently.

MAC 11	Door Panel Removal Tool .....	9.25
--------	-------------------------------	------

## Deluxe Door Panels

A semi-complete panel that features a sturdy plastic backing (which is an improvement over originals!) and have black carpet mounted on the lower portion. Panels also feature correct-size door pull hand cup opening as well as correct indent for remote control mirror bezels. Your original parts\* will re-install without any modifications.

**1967:** These panels are a full vinyl moulded door panel for the Deluxe Interior. They are moulded in original factory colors and match original patterns perfectly. Note: Does not include Cups & Inserts.

MDP D67BK	67	Black	Deluxe.....	Pair	194.50
-----------	----	-------	-------------	------	--------

**1968:** These are the exact Deluxe Door Panels! Includes Woodgrain Panel.

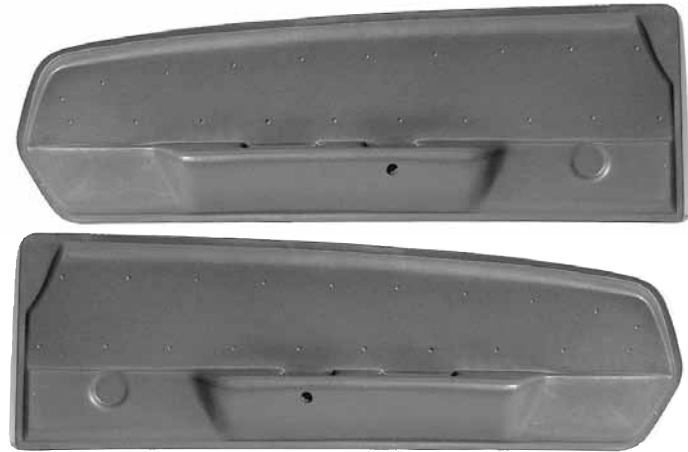
MDP D68AQ	68	Aqua	Deluxe.....	Pair	149.95
MDP D68BK	68	Black	Deluxe.....	Pair	149.95
MDP D68BU	68	Blue	Deluxe.....	Pair	149.95
MDP D68IG	68	Ivy Gold	Deluxe.....	Pair	149.95
MDP D68MN	68	Maroon	Deluxe.....	Pair	149.95
MDP D68PT	68	Parchment	Deluxe.....	Pair	149.95
MDP D68SD	68	Saddle	Deluxe.....	Pair	149.95
MDP D69BK	69	Black	Deluxe.....	Pair	319.95
MDP D69WT	69	White	Deluxe.....	Pair	319.95
MDP D70BK	70	Black	Deluxe.....	Pair	319.95
MDP D70WT	70	White	Deluxe.....	Pair	319.95
MDP D71WT	71/73	White	Deluxe.....	Pair	365.00
MDP D71BK	71/73	Black	Deluxe.....	Pair	365.00

## Pony Door Panels

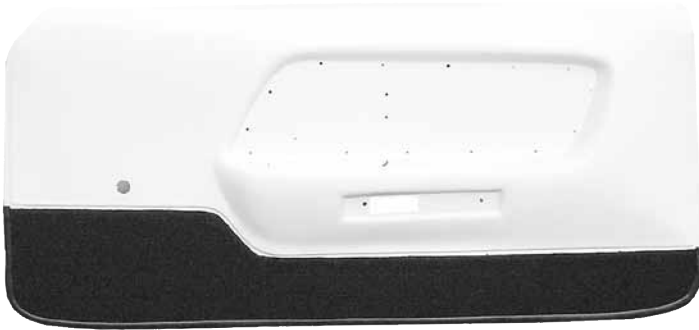
These panels are a full vinyl moulded door panel for the Deluxe Pony Interior. They are moulded in original factory colors and match original patterns perfectly.

**Note: Does Not Include Cup or Insert. See Part Number M 24046 & M 24142 for these items.**

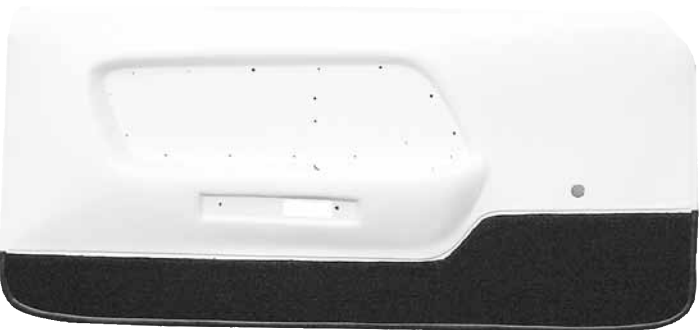
MDP P65BK	65/66	Black	Pony .....	Pair	195.00
MDP P65RD	65	Red	Pony .....	Pair	195.00
MDP P65WT	65/66	White	Pony .....	Pair	195.00
MDP P66PT	66	Parchment	Pony .....	Pair	195.00
MDP P66RD	66	Red	Pony .....	Pair	195.00



MDP D67BK Door Panel



MDP D70WT



MDP P65BK



*Your Number One Source for Mustang Restoration Parts!*

*Can't make a decision on the best gift? Larry's gift certificates are the solution! Ask our Sales Specialists for complete details*



# REAR QUARTER PANEL

## Quarter Panel Reflectors

### M 13380 Quarter Panel Reflectors

M 13380A	68 Early, RH or LH, Reflector Only	Each	19.95
M 13380B	68 Late, RH or LH, Reflector Only with Chrome Bezel	Each	45.95

## Quarter Panel Drain Plug Kit



M 10358A	65/66; RH & LH	Pair	6.38
M 10358B	67/68; RH & LH	Pair	9.59

## Quarter Panel Nameplate

Deep, Lustrous  
Chrome Finish!



M 25622A	68; (Coupe) GT/CS, "California Special"	Each	39.95
----------	---	------	-------

### M 15201 Quarter Panel Marker Lamp Lens

M 15201C	70; Red Lens, Includes Metal Studs RH or LH	Each	22.50
M 15201D	71/73; RH Red	Each	28.23
M 15201E	71/73; LH Red	Each	28.23
M 15201H	69; RH or LH, Red	Each	15.10

### M 15209 Marker Lamp Seal

M 15209B	70; Rear Marker Lamp Lens Gasket	Pair	.96
----------	----------------------------------	------	-----

*Note: Also See Part No. M 15447.*

### M 15440 Bezel Front or Rear Side Lamp

M 15440A	69; RH or LH, Front Fender or Body Side	Each	15.50
M 15440D	70; RH, Rear Quarter Panel	Each	38.33
M 15440E	70; LH, Rear Quarter Panel	Each	38.33
M 15440F	71/73; Rear	Pair	37.37

### M 15447 Marker Lamp Seal

M 15447A	69; Front & Rear Marker Lamp to Body	Set of 4	1.46
M 15447B	70; Rear Marker Lamp to Body	Pair	1.52
M 15447C	71/73; Rear Marker Lamp to Body	Pair	1.52

*Note: Also See Part No. M 15209.*

### M 21496 Window Guide

M 21496A	69/70; Plastic, Stronger than Original! (16 Req.)	Each	.96
----------	---	------	-----

## Quarter Panel Extension



M 27702A	65/66; RH	Each	59.95
M 27703A	65/66; LH	Each	59.95
M 27702B	67/68; RH; (Coupe & Convertible) Except GT/CS	Each	59.95
M 27703B	67/68; LH; (Coupe & Convertible) Except GT/CS	Each	59.95
M 27702C	67/68; 2+2 RH	Each	69.95
M 27703C	67/68; 2+2 LH	Each	69.95
M 28010A	69; RH; (Fastback)	Each	131.25
M 28011A	69; LH; (Fastback)	Each	131.25

M 28010B	70; RH; (Fastback)	Each	131.25
M 28011B	70; LH; (Fastback)	Each	131.25
M 28010C	71/72; RH (Coupe)	Each	99.95
M 28011C	71/72; LH (Coupe)	Each	99.95
M 28010D	71/72; RH (Fastback)	Each	144.95
M 28011D	71/72; LH (Fastback)	Each	144.95

### M 27802 Quarter Panel Extension Seal

M 27802A	65/73	Pair	4.28
----------	-------	------	------

## Quarter Panel Assembly

M 27846A	65/66; RH, (Coupe)	Each	137.31
M 27847A	65/66; LH, (Coupe)	Each	137.31
M 27846B	65/66; RH; Fastback, with Attached Sail	Each	475.95
M 27847B	65/66; LH; Fastback, with Attached Sail	Each	475.95
M 27846C	65/66; RH, (Convertible)	Each	137.31
M 27847C	65/66; LH, (Convertible)	Each	137.31
M 27840A	67/68; RH; Skin, less depression	Each	78.70
M 27841A	67/68; LH; Skin, less depression	Each	78.70
M 27840D	71/73; RH, (Fastback), Outer shell only	Each	83.33
M 27841D	71/73; LH, (Fastback), Outer shell only	Each	83.33
M 27840E	71/73; RH, (Coupe), Outer shell only & Conv.	Each	119.95
M 27841E	71/73; LH, (Coupe), Outer shell only & Conv.	Each	119.95
M 27846D	65/66; RH, (All), Skin Only	Each	80.27
M 27847D	65/66; LH, (All), Skin Only	Each	80.27
M 27846E	67; RH, (Fastback) Rear Quarter Panel	Each	492.95
M 27847E	67; LH, (Fastback) Rear Quarter Panel	Each	492.95
M 27846F	69; RH, Coupe/Convertible OEM	Each	131.25
M 27847F	69; LH, Coupe/Convertible OEM	Each	131.25

*\*Note: All Panels Must Be Shipped by Truck Freight Collect.*

M 27840B	70; Convertible RH, Skin	Each	126.20
M 27841B	70; Convertible LH, Skin	Each	126.20

### M 27886/7 Quarter Wheelhouse Inner Panel

M 27886A	65/70; RH	Each	55.50
M 27887B	65/70; LH	Each	55.50

### M 28182/3 Quarter Latch Pillar to Window Frame Seal

M 28182/3A	65/66; (Coupe & Convertible)	Pair	10.66
M 28182/3B	67/68; (Coupe & Convertible)	Pair	9.75
M 28182/3C	69/70; (Fastback)	Pair	13.08
M 28182/3D	71/73; (Coupe & Convertible)	Pair	16.11
M 28182/3E	69/70; (Coupe & Convertible)	Pair	18.13

*See Page 125 For Attaching Parts Kit MHK 56.*



M 29025A

## 1969 Quarter Panel Ornament

M 29014A	69; Coupe & Convertible	Pair	127.21
----------	-------------------------	------	--------

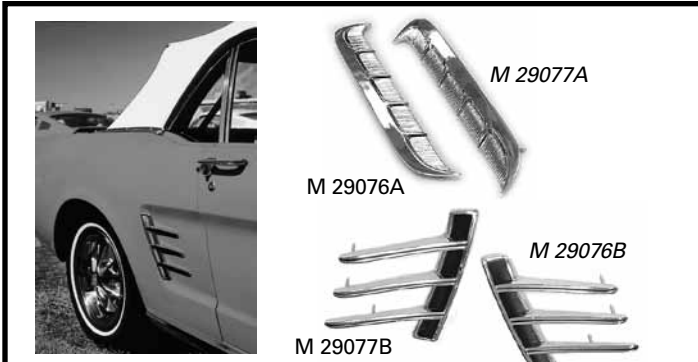
## Coat Hook



M 29025A	65/66, (Coupe & Fastback)	Pair	7.95
M 29025B	65/66, (Convertible); 67, (All body types)	Pair	10.05
M 29025C	68/73; Black Plastic	Each	2.98
M 29025D	68/73; Coat Hook Base	Each	2.98

*See Page 125 For Attaching Parts Kit MHK 175.*

# REAR QUARTER PANEL



## Quarter Panel Outside Rear Ornament

M 29076A	65; RH, (Coupe & Convertible).....	17.95
M 29077A	65; LH, (Coupe & Convertible).....	17.95
M 29076B	66; RH, (Coupe & Convertible).....	18.95
M 29077B	66; LH, (Coupe & Convertible).....	18.95
M 29076D	68.....	Pair 59.95

M 29078/9	Quarter Panel Extension Moulding	
M 29078A	67/68; RH, (Coupe & Convertible) .....	15.53
M 29079A	67/68; LH, (Coupe & Convertible).....	16.17
M 29078B	67/68; RH, (Fastback).....	15.05
M 29079B	67/68; LH, (Fastback).....	15.05
M 29078C	69/70; RH, (Coupe).....	20.15
M 29079C	69/70; LH, (Coupe).....	20.15
M 29164/5	Quarter Wheel Opening Moulding	
M 29164A	67/68; RH.....	23.37
M 29165A	67/68; LH.....	21.37
M 29164B	69; RH, (Fastback, except Boss).....	21.37
M 29165B	69; LH, (Fastback, except Boss).....	21.37
M 29164C	69; RH, (Coupe & Convertible) .....	21.37
M 29165C	69; LH, (Coupe & Convertible).....	21.37
M 29164D	70; RH, (Coupe & Convertible) .....	21.37
M 29165D	70; LH, (Coupe & Convertible).....	21.37

## Quarter Window Assembly, Rear

M 29706A	69/70; RH Rear, Fastback.....	Each 126.95
M 29707A	69/70; LH Rear, Fastback.....	Each 126.95

## Quarter Window Moulding

M 29796A	69/70; Fastback, Chrome.....	Pair 89.95
----------	------------------------------	------------

### M 30146/7 Quarter Window Weatherstrip • Front

M 30146A	65/68; RH, (Coupe).....	7.09
M 30147A	65/68; LH, (Coupe).....	7.09
M 30146B	65/68; RH, (Convertible).....	6.57
M 30147B	65/68; LH, (Convertible).....	6.57
M 30146C	71/73; RH, (Fastback).....	28.23
M 30146D	71/73; RH, (Coupe & Convertible) .....	28.23
M 30147C	71/73; LH, (Fastback).....	28.23
M 30147D	71/73; (Coupe & Convertible) .....	28.23

## Quarter Window Pivot Cover

M 30246A	69/70; Fastback, Goes on pivot rod at fiberglass interior panel.....	Pair 13.08
----------	--	------------

## Roof Emblem



M 51720A	69; Fastback.....	Pair 89.95
----------	-------------------	------------

## Side Scoops

**High-Quality Replacement Side Scoops for your Mustang!**



### Sidescoop

MSS-101	65/66; As Used on '66 GT350.....	Pair 19.95
MSS-102PR	67/68; Lower, GT/CS.....	Pair 90.85
MSS-103PR	67/68; Upper.....	Pair 199.00
MSS-104PR	69/70; GT350/500, (Convertible) .....	Pair 146.45
MSS-105PR	69/70; GT350/500, (Fastback) .....	Pair 146.45

## Body Panels

### Lower Rear Quarter Panel

*Original contour on back, bottom and wheel opening. Heavier gauge steel than factory.*

MPP 100AL	65/66; LH; 12" Tall.....	37.33
MPP 100AR	65/66; RH; 12" Tall.....	37.33
MPP 200L	67/68; LH.....	Each 32.50
MPP 200R	67/68; RH.....	Each 32.50
MPP 300L	69/70; LH; 13 1/2" Tall (Coupe or Conv.)....	Each 59.95
MPP 300R	69/70; RH; 13 1/2" Tall (Coupe or Conv.)....	Each 59.95
MPP 300AL	69/70; LH; 13 1/2" Tall, (Fastback) .....	Each 55.00
MPP 300AR	69/70; RH; 13 1/2" Tall, (Fastback).....	Each 55.00
MPP 400L	71/73; LH; 17 1/2" Tall.....	59.95
MPP 400R	71/73; RH; 17 1/2" Tall.....	59.95

### Lower Panel in front of Rear Wheel

Lower portion of wheel opening with bottom and front edge included.

MPP 102L	65/66; LH.....	23.50
MPP 102R	65/66; RH.....	23.50

### Inner Panel • Lower Rear Corner

MPP 109L	65/70; LH.....	14.65
MPP 109R	65/70; RH.....	14.65
MPP 409L	71/73; LH.....	17.12
MPP 409R	71/73; RH.....	17.12

### Outer Rear Wheelhouse

MPP 113L	65/66; LH.....	Each 51.36
MPP 113R	65/66; RH.....	Each 51.36
MPP 213L	67/68; LH.....	Each 46.41
MPP 213R	67/68; RH.....	Each 46.41
MPP 313L	69/70; LH.....	Each 58.85
MPP 313R	69/70; RH.....	Each 58.85

### Rear Wheel Flair

MPP 101AL	65/66; LH.....	69.95
MPP 101AR	65/66; RH.....	69.95

Orig. contour with 3/4" inner flange.

MPP 201L	67/68; LH.....	Each 48.25
MPP 201R	67/68; RH.....	Each 48.25
MPP 301L	69/70; LH.....	Each 58.95
MPP 301R	69/70; RH.....	Each 58.95
MPP 401L	71/73; LH.....	Each 80.75
MPP 401R	71/73; RH.....	Each 80.75

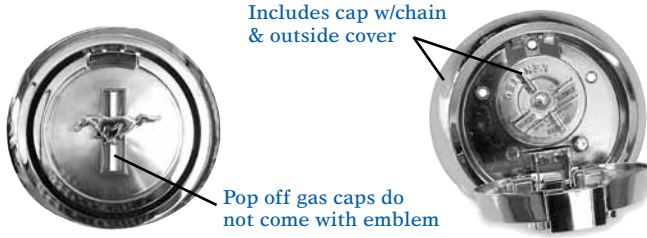
## Attaching Hardware for this Section

MHK 40	J-Nut, Tail Lamp Body; 65/66, (Kit of 4).....	2.76
MHK 54	Screw Kit, Interior Rear Quarter; 65/68 (Kit of 4) .....	2.96
MHK 54A	Screw Kit, Rear Quarter Trim, Pony Interior, 65/66 (Kit of 4) .....	2.96

# TRUNK & REAR BODY AREA

## Now Available!

'69 Mach I Pop-Off Gas Cap!  
See listing below



Includes cap w/chain  
& outside cover

Pop off gas caps do  
not come with emblem

## Gas Caps

Our Reproduction Gas Caps represent the finest available. Each cap is hand-assembled with complete attention to detail and feature the highest quality materials and workmanship.

M 9030A	65; With wire bail; Exact reproduction of the original .....	58.95
M 9030B	66; "GT"; Exact reproduction of the original ...	59.95
M 9030C	66; Standard Cap with "horse" mark, Exact Reproduction! .....	54.95
M 9030D	67; Standard Gas Cap, Exact Reproduction!....	54.95
M 9030E	67/68; Pop Off Style, Less Emblem .....	89.95
M 9030F	66; Shelby GT350, Exact Reproduction!.....	65.55
M 9030G	68; Standard Gas Cap, with horse, Exact Reproduction! .....	59.95
M 9030H	69; Mach 1, Pop Off Style, Less Emblem .....	89.95
M 9030J	65/69 & 70 (exc. Mach I), 70; Without emissions Note: This is a '69 Mustang-type gas cap replacement .....	59.95
M 9030K	70; Pop Off Style, Less Emblem .....	89.95
M 9030M	71/73; (exc. Mach 1) Mustang Emblem .....	59.95
M 9030N	65/70; Locking Gas Cap (Will Not Fit GT's With Pop-Off Type Cap, 70's With Emissions, Shelys Or Mach I) .....	69.95
M 9030O	67; GT Type, Non Pop-Off .....	59.95
M 9030P	71/73; Mach 1, Pop-Off .....	99.95



M 9030A



M 9030B



M 9030C



M 9030D



M 9030F



M 9030G



M 9030J



M 9030M



M 9030N



M 9030E



M 9030H



M 9030K



M 9030P

<b>M 10780</b>	<b>Trunk Floor Cross Brace</b>	
M 10780B	65/70; Behind Gas Tank .....	21.37

<b>M 11218</b>	<b>Trunk Floor Pan</b>	
M 11218A	65/70; RH .....	24.95
M 11219A	65/70; LH .....	24.95

## Center Floor Pan

<b>M 11160</b>	<b>Center Floor Pan</b>	
M 11160A	65/70; Transition Panel, Fits Between the Trunk and the Rear Seat Area. Includes the Shock Mounts .....	284.82

## Trunk Filler Board

	<b>Floor to Quarter Panel</b>	
M 11228A	65/66; Fits On Left Hand Side Only .....	5.00
M 11228B	67/68; Fits On Left Hand Side Only .....	5.30
	<i>See Page 125 For Attaching Parts Kit MHK 198.</i>	

Can't make a decision on the best gift? Larry's gift certificates are the solution for your dilemma! Ask our Sales Specialists for complete details

# TRUNK & REAR BODY AREA

## Rear License Plate Lamp & Related Parts

<b>M 13560</b>	<b>Rear License Plate Lamp Assembly</b>		
M 13560A	64 1/2-70 .....	Each	29.95
M 13560C	71/73 .....	Each	29.95
<b>M 13564</b>	<b>Rear License Lamp Lens</b>		
M 13564A	65/73; Glass .....	Each	9.93
	See Page 125 For Attaching Part Kit MHK 39.		
<b>M 13568</b>	<b>Rear License Lamp Lens Gasket</b>		
M 13568A	65/73 .....	Each	1.18

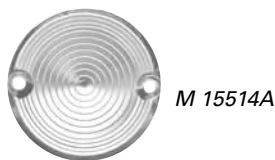
## Interior Door Lamp

<b>M 13786</b>	<b>Interior Door Lamp</b>		
M 13786B	67/68; Deluxe Interior .....	Each	32.50
M 13786C	69/70 .....	Pair	79.95

## Back-Up Lamp & Related Parts



<b>Back-Up Lamp Body</b>			
M 15500A	69/70; RH .....	Each	33.28
M 15500B	69/70; LH .....	Each	33.28
<b>Back-Up Lamp Lens Gasket</b>			
M 15510A	65/70 .....	Pair	1.88
<b>Back-Up Lamp Body &amp; Socket Assembly</b>			
M 15511A	65/66; RH .....	Each	22.17
M 15511B	67/68; RH .....	Each	39.58
M 15512C	65/66; LH .....	Each	22.17
M 15512D	67/68; LH .....	Each	39.58



<b>Back-Up Lamp Lens</b>			
M 15514A	65/68 .....	Each	3.75
M 15514B	69/70 .....	Each	9.95
	See Page 125 For Attaching Parts Kits MHK 12 & MHK 47.		

<b>Back-Up Lamp to Body Seal</b>			
M 15533A	65/66; RH & LH .....	Pair	5.30
M 15533B	67/70; RH & LH .....	Pair	5.30

## GT350 Rear Panel Ornament

Our highly detailed ornament replaces your faded and scratched original to finish exterior detailing.

M 16229S	65/66; "GT 350"; Use on rear panel, includes fastener .....	Each	25.20
----------	---	------	-------

<b>M 17032</b>	<b>Jack Handle</b>		
M 17032A	65/73; Rachets Like the Original .....	Each	49.95
<b>M 17080</b>	<b>Jack Assembly</b>		
M 17080A	65/73; Scissors-Type, Ford Replacement .....	Each	75.70

## M 27702/3 Quarter Panel Extension

M 27702A	65/66; RH .....	Each	59.95
M 27703A	65/66; LH .....	Each	59.95
M 27702B	67/68; RH; (Coupe & Convertible) Except GT/CS ....	Each	59.95
M 27703B	67/68; LH; (Coupe & Convertible) Except GT/CS .....	Each	59.95
M 27702C	67/68; 2+2 RH .....	Each	69.95
M 27703C	67/68; 2+2 LH .....	Each	69.95
M 28010A	69; RH; (Fastback) .....	Each	131.25
M 28011A	69; LH; (Fastback) .....	Each	131.25
M 28010B	70; RH; (Fastback) .....	Each	131.25
M 28011B	70; LH; (Fastback) .....	Each	131.25
M 28010C	71/72; RH (Coupe) .....	Each	99.95
M 28011C	71/72; LH (Coupe) .....	Each	99.95
M 28010D	71/72; RH (Fastback) .....	Each	144.95
M 28011D	71/72; LH (Fastback) .....	Each	144.95

## M 27802 Quarter Panel Extension Seal

M 27802A	65/73 .....	Pair	4.28
----------	-------------	------	------

## Quarter Panel OEM Type

M 27846B	65/66; RH, 2+2, OEM Style .....	Each	475.95
M 27847B	65/66; LH, 2+2, OEM Style .....	Each	475.95

## M 27886 Quarter Panel Inner Rear Wheelhouse

M 27886A	65/70; RH .....	Each	55.50
M 27887B	65/70; LH .....	Each	55.50

\*Note: See Part Numbers MPP 113, 213 & 313 for Outer Wheelhouse

## M 29078/9 Quarter Panel Extension Moulding

M 29078A	67/68; RH, (Coupe & Convertible) .....	Each	15.53
M 29079A	67/68; LH, (Coupe & Convertible) .....	Each	16.17
M 29078B	67/68; RH, (Fastback) .....	Each	15.05
M 29079B	67/68; LH, (Fastback) .....	Each	15.05
M 29078C	69/70; RH, (Coupe) .....	Each	20.15
M 29079C	69/70; LH, (Coupe) .....	Each	20.15

## M 31466 Luggage Compartment Wheelhouse Protective Strip

M 31466A	65/70; LH .....	Each	1.95
----------	-----------------	------	------

## M 40110 Luggage Compartment Door\*

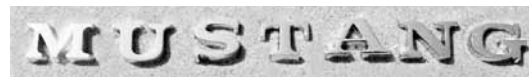
M 40110A	67/68; (Coupe & Convertible, exc. GT/CS & 350/500) .....	Each	181.75
M 40110B	67/68; (Fastback) .....	Each	146.45
M 40110C	65/66; (Fastback) .....	Each	165.00
M 40110D	65/66; (Coupe & Convertible) .....	Each	165.00
M 40110E	69/70; (Fastback) .....	Each	181.75

\*Note: This Item Must Be Shipped By Truck Freight Collect.

## Hood & Trunk Letters



M 40282Q



M 40282R

<b>M 40228</b>	<b>Trunk Emblem</b>		
M 40228A	70; Mach 1 Letters .....	Each	64.95

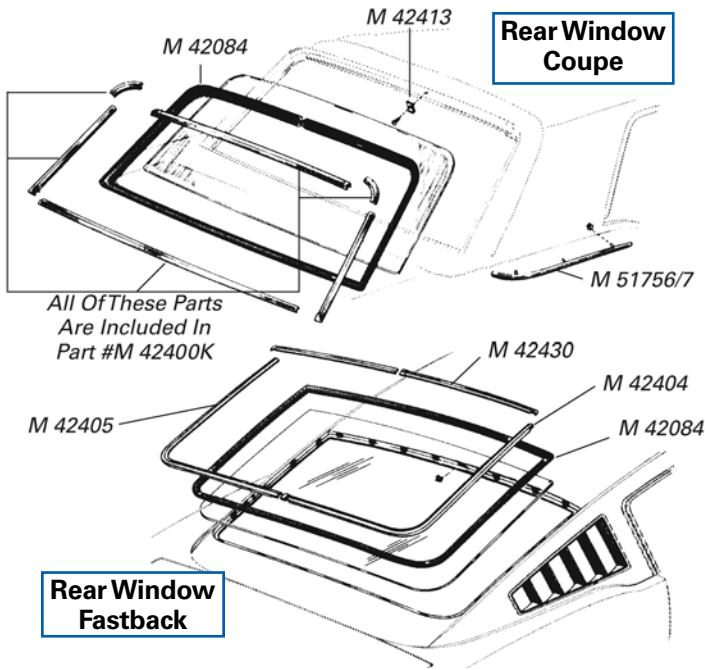


M 40228A

<b>M 40282</b>	<b>"FORD" Hood Letter Set</b>		
M 40282Q	65/66; Complete set with fasteners .....	Set	10.95

<b>M 40282</b>	<b>"MUSTANG" Letter Set</b>		
M 40282R	65/71; Fender or Trunk Letters, Full Set with Pins .....	Each	15.95

# TRUNK & REAR BODY AREA



<b>M 40310 Behind Rear Window Panel</b>	
M 40310A 65/66; (Convertible Only) .....	57.95
M 40310B 67/68; Fastback.....	74.69
M 40310C 67/68; Coupe .....	99.95
M 40310D 65/66; Fastback.....	99.95
M 40310E 65/66; Coupe .....	57.95
<b>M 40324 Tail Lamp Panel</b>	
M 40324A 65/66 .....	71.60
M 40324B 67/68, Outer Panel - (Except GT/CS & Shelby). Inner Panel for GT/CS & Shelby must be trimmed to fit Shelby-style tail lamps.....	65.60
M 40324C 68; GT California Special Designed for the Sequential Lamps .....	225.45
M 40320A 69; (Except GT350/500) .....	149.95
M 40320B 70; (Except GT350/500); less moulding holes .....	119.00
M 40320C 71/73 .....	148.95
<b>M 40427 Rear License Lamp Shield</b>	
M 40427A 67/68 .....	2.78
M 40427B 69/70 .....	2.78



<b>M 40544 Lower Back Panel Extension</b>	
M 40544A 65/66; Single Exhaust - w/Backup Light Holes ...	48.50
M 40544B 65/66; Single Exhaust - w/o Backup Light Holes	48.50
M 40544C 65/66; Dual Exhaust w/Backup Light Holes & w/Exhaust Holes .....	48.50
M 40544D 65/66; Dual Exhaust w/o Backup Light Holes & w/Exhaust Holes .....	48.50
M 40544E 67/68; Single Exhaust.....	48.50
M 40544F 67/68; Dual Exhaust.....	48.50
M 40544G 69/70; Without Exhaust Opening, for GT350/500; Cut Opening For Exhaust.....	59.95
M 40544H 69/70; With Exhaust Opening .....	59.95
M 40544J 71/73; Standard, No Holes .....	Each 74.95
M 40544K 71/73; With Dual Exhaust Holes.....	Each 74.95

See Page 125 For Attaching Parts Kits MHK 113, 146 & 183.  
Note: For Exhaust Pipe Tip Moulding See Part Number 5C299 - page 30

<b>M 40996 Bumper to Body Insulator</b>	
M 40996A 65/73; Rear Only; (Set of 4) .....	2.09
M 42084 Back Glass Weatherstrip	
M 42084A 65/68; (Coupe).....	23.95
M 42084B 65/66; (Fastback) .....	24.95
M 42084C 69/70; (Coupe).....	27.22
M 42084D 71/73; (Coupe).....	33.28
M 42084E 67/68; (Fastback) .....	34.95
M 42084F 69/70; (Fastback) .....	28.95
M 42084G 71/73; (Fastback) .....	36.36
<b>M 42318 Convertible Rear Trim Moulding • (Side Pieces)</b>	
M 42318A 65/66 .....	Pair 124.95
MSP359274K 65/66; Snap Stud Kit. Inc. (17) Snap Studs/Retainers .....	Set 14.09
<b>M 42320 Convertible Well Trim Moulding • (Center Piece)</b>	
M 42320A 65/66; Stainless - 1 Piece/Center .....	Each 36.31
MSP 359274K 65/66; Snap Stud Kit. Inc. (17) Snap Studs/Retainers .....	Set 14.09
<i>Use with Part No. M 42318 for Complete Well Trim.</i>	
<b>M 42342 Honeycomb Tail Lamp Panel</b>	
M 42342A 70 .....	Each 117.11
M 42342B 71/73 .....	Each 117.11
<b>M 42344 Honeycomb Tail Lamp Panel Retainers</b>	
M 42344A 70/73; 24 Pieces, Includes Clips.....	Each 42.95
<b>M 42382 Honeycomb Back Panel Moulding Set</b>	
M 42382A 70; MACH I .....	Set 151.45
M 42382B 71/73; MACH I .....	Set 144.50
<b>M 42400 Rear Window Moulding Kit</b>	
M 42400K 65/66; (Coupe); 6-Piece Kit.....	Per Kit 80.75
M 42400AK 65/66; (Fastback); 4-Piece Kit .....	Per Kit 90.85
M 42400BK 67/68; (Fastback); 6-Piece Kit .....	Per Kit 90.85
M 42400CK 67/68; (Coupe) 3-Pieces.....	Set 159.95
M 42400DK 69/70; (Fastback) .....	Per Kit 53.48
M 42400EK 71/73; (Coupe) 4-Pieces.....	Set 174.95
M 42400FK 71/73; (Fastback) 4-Pieces .....	Set 174.95

## Outside Moulding Retainer

M 42413A 66/73 .....	Each .59
M 42413B 65 .....	Each .59
M 42413C 67; Rear Upper (9 Required).....	Each .59

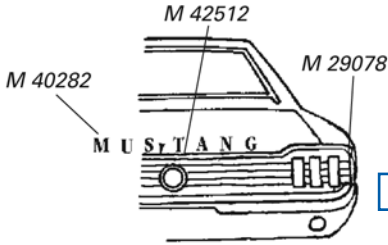


## Rear Window Louvers & Related Parts

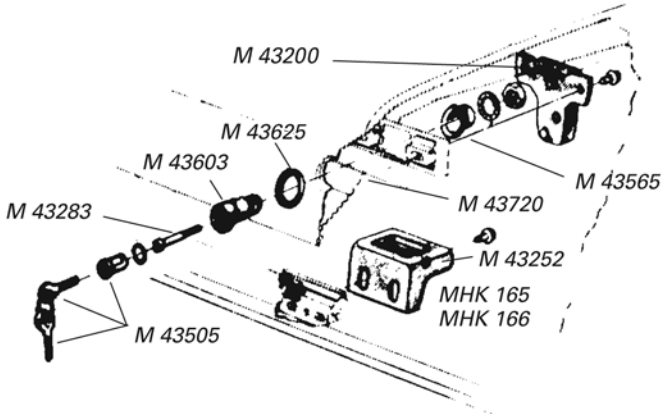


M 44268A 69/70; Louver Kit With All Attaching Parts, Fastback Only .....	Kit 459.95
M 44268B 69/70; Louver Bottom Latches .....	Pair 89.95
M 44268C 69/70; Louver Pad Set.....	Set 24.95

# TRUNK & REAR BODY AREA



## Letters & Moulding



## Luggage Compartment Door Latch 65/66 Coupe & Convertible

<b>M 42512</b>	<b>Luggage Compartment Door Moulding</b>		
M 42512A	67/68; (Coupe & Convertible)	.....	35.96
M 42512B	67/68; (Fastback)	.....	18.16
M 42512C	69/70; (Coupe)	..... Each	54.04
<b>M 42700</b>	<b>Trunk Lid Hinge</b>		
M 42700BK	65/66; Coupe/Convertible	..... Pair	120.25
M 42700CK	67/68	..... Pair	120.25
M 42700DK	69/70	..... Pair	145.30

## Trunk Latch

M 43200B 67/70..... 30.25



## Tote Bag



These bags are a great addition to the trunk area. Made of the same quality material as our trunk mats.

BAC 01F	Black	..... Each	\$24.95
MAC 18A	Plaid	..... Each	\$24.95
MAC 18B	Speckled	..... Each	\$20.75

## Trunk Latch

<b>M 43200</b>	<b>Trunk Latch</b>		
M 43200A	65/66	..... Each	30.25

## Remote Trunk Release



M 43201A	65/66	..... Each	\$50.45
M 43201B	67/68	..... Each	\$50.45

Note: 67/68 Requires Correct Trunk Latch For Original Release Option.

## Trunk Latch Striker

<b>M 43252</b>	<b>Trunk Latch Striker</b>		
M 43252A	65/66	..... Each	10.95
M 43252C	67/68	.....	16.95
M 43252D	69/70	.....	16.95

<b>M 43283</b>	<b>Luggage Compartment Door Latch Lock Extension</b>		
M 43283A	65/66	.....	2.53
M 43283B	67/68	.....	3.54

## Trunk Lock Sets



M 43505A  
Trunk Lock  
Assembly

<b>M 43505</b>	<b>Trunk Lock Sets</b>		
M 43505A	65/66; Cylinder & Keys	.....	36.95
M 43505B	67/73; (From 10/24/66)	.....	16.66

<b>M 43565</b>	<b>Trunk Lock Housing Spacer</b>		
M 43565A	65/66	.....	9.95

## Trunk Lock Housing



M 43603A  
Lock  
Cylinder  
Sleeve

<b>M 43603</b>	<b>Trunk Lock Housing</b>		
M 43603A	65/66; Chrome	.....	12.80
<b>M 43625</b>	<b>Trunk Lock Housing Pad</b>		
M 43625A	65/66	.....	1.55
M 43625B	67/73; (From 10/24/66); With 4-Lug Cylinder	.....	1.40

## Trunk Lid Weatherstrip

M 43720A	65/70; (Coupe & Convertible)	.....	13.87
M 43720B	65/68; (Fastback)	.....	13.87
M 43720C	71/73;	.....	17.12
M 43720D	69/70; (Fastback)	.....	12.07

## Trunk Lid Spoiler



M 44210A	69/70; (Fastback) Reproduction of Original Rear Spoiler Wing; Complete With Attaching Parts	.....	145.95
M 44210B	71/73; (Fastback) Reproduction of Original Rear Spoiler Wing; Complete With Attaching Parts	.....	145.95

<b>Spoiler Pedestal Gasket</b>			
M 44228A	69/73	..... Pair	8.03

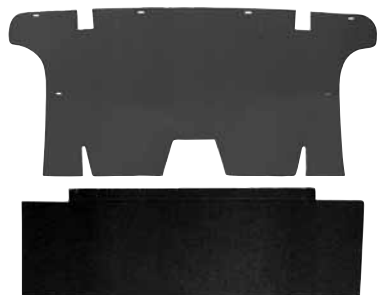
<b>M 45028</b>	<b>Trunk Tension Rods Anti-Rattler</b>		
M 45028A	65/68; Coupe & Convertible	..... Each	1.97

# TRUNK & REAR BODY AREA

- M 46510 Trunk Panel Brace**  
 M 46510B 67/68; Fastback..... Each 255.50  
*Note: This part must be shipped by truck and will require additional freight cost.*

- M 46610 Trunk Divider and Package Shelf**  
 M 46610A 65/68; Coupe..... Each 295.95  
*Note: This part must be shipped by truck and will require additional freight cost.*

## Seat / Trunk Divider Board



The steel dividers are designed to provide additional protection and minimize the danger of fire in the passenger compartment in the event of a rear end collision.

- |          |                                     |       |
|----------|-------------------------------------|-------|
| M 45444A | 65/68; Coupe.....                   | 14.46 |
| M 45444B | 67/68; Convertible.....             | 13.08 |
| M 45444C | 65/66; Coupe, Metal-type.....       | 89.95 |
| M 45444D | 65/66; Convertible; Metal-type..... | 79.74 |
| M 45444E | 67/68; Convertible; Metal-type..... | 79.74 |

- Luggage Rack**  
 M 55100A 65/68; Coupe/Convertible..... 179.95

- Inner Panel • Lower Rear Corner**  
 MPP 109L 65/70; LH..... 14.65  
 MPP 109R 65/70; RH..... 14.65

- Trunk Lower Rain Gutter**  
 MPP 142L 65/66; LH; Coupe only..... Each 23.95  
 MPP 142R 65/66; RH; Coupe only..... Each 23.95  
 MPP 242L 67/68; LH; Coupe only..... Each 30.25  
 MPP 242R 67/68; RH; Coupe only..... Each 30.25

- Trunk Floor Side Panel**  
 MPP 409L 71/73; LH..... Each 17.12  
 MPP 409R 71/73; RH..... Each 17.12

- Trunk Floor**  
 MPP 438A 71/73; 54" x 31"..... 169.95

## Attaching Hardware for this Section

- |            |   |      |
|------------|---|------|
| MHK 14     | Screws, Tail Lamp; 65/66, Chrome, (Kit of 8).....                     | 3.21 |
| MHK 47     | Screws, Back-Up Lamp Lens; 65/68, (Kit of 4).....                     | 2.18 |
| MHK 113    | Bolt Kit, Rear Valance End; 65/73, (Kit of 2).....                    | 3.47 |
| MHK 146    | Screws, Rear Valance; 65/68, (Kit of 11).....                         | 9.19 |
| MHK 165    | Bumper Kit, Trunk Lid, 2 + 2 Trunk Access Door 65/66, (Kit of 2)..... | 4.75 |
| MHK 166    | Bumper Kit, Trunk Lid; 67/68, (Kit of 2).....                         | 4.75 |
| MHK 198    | Screws, Trunk Floor Insert; 65/66, (Kit of 2).....                    | 2.18 |
| MHK 290    | Screw Kit, Fuel Tank Filler Pipe; 65/68.....                          | 2.76 |
| MSP 359972 | Spacer, Back-Up Lamp Housing Bolt; 65/66 (Kit of 4).....Kit           | 6.67 |

## Trunk Mats



Speckled Dress-Up Kit



Plaid Dress-Up Kit

Specially made by Larry's to fit the contours of the Mustang trunk area without bagginess or improper fit. Mats are styled in Plaid or Speckled finishes to match what came originally in your Mustang. Not only do these kits look good but they keep items placed in your trunk more clean and away from the elements (water, grease, dirt, etc.) encountered in luggage compartment areas! Each Kit Includes The Following Items: (1) Trunk Mat, (1) Jute Pad, (1) Tire Cover & (1) Protective Strip For LH Wheelhouse.

- Trunk Mat Kits**
- |          |   |       |
|----------|---|-------|
| M 45457A | 65/68; (Coupe & Convertible); Plaid.....    | 48.75 |
| M 45457B | 69/70; (Coupe & Convertible); Plaid.....    | 48.75 |
| M 45457C | 65/68; (Coupe & Convertible); Speckled..... | 48.75 |
| M 45457D | 69/70; (Coupe & Convertible); Speckled..... | 48.75 |
| M 45457E | 65/68; (Fastback); Plaid.....               | 48.75 |
| M 45457F | 69/70; (Fastback); Plaid.....               | 48.75 |
| M 45457G | 65/68; (Fastback); Speckled.....            | 48.75 |
| M 45457H | 69/70; (Fastback); Speckled.....            | 48.75 |

- Trunk Mats**
- |                                       |   |       |
|---------------------------------------|---|-------|
| M 45456A*                             | 65/68; (Coupe & Convertible); Plaid.....    | 29.50 |
| M 45456B*                             | 69/70; (Coupe & Convertible); Plaid.....    | 29.50 |
| M 45456C*                             | 65/68; (Coupe & Convertible); Speckled..... | 29.50 |
| M 45456D*                             | 69/70; (Coupe & Convertible); Speckled..... | 29.50 |
| M 45456E*                             | 65/68; (Fastback); Plaid.....               | 29.50 |
| M 45456F*                             | 69/70; (Fastback); Plaid.....               | 29.50 |
| M 45456G*                             | 65/68; (Fastback); Speckled.....            | 29.50 |
| M 45456H*                             | 69/70; (Fastback); Speckled.....            | 29.50 |
| M 45456J                              | 65/68; (Fastback)                           |       |
| Original-Type Mat (Solid Rubber)..... |   | 56.51 |
| M 45456K                              | 65/68; (Coupe & Convertible)                |       |
| Original-Type Mat (Solid Rubber)..... |   | 56.51 |
- \*Trunk Mats (A thru H) Are Made Of Fleece-Backed Vinyl.

- Carpet Trunk Mat Kits**  
 Finally a trunk mat that is built to last! Our Carpet Trunk Mats are manufactured from heavy-duty marine-quality needle punch polyester cut-pile carpeting. Each mat is guaranteed to last and comes with under-carpet pad for a plush look and feel, as well as increased sound-deadening. Available In Black Only.
- |         |                             |       |
|---------|-----------------------------|-------|
| 1965/68 | MTM 6563 BKK; Fastback..... | 50.87 |
|         | MTM 6565 BKK; Coupe.....    | 50.87 |
| 1969/70 | MTM 6963 BKK; Fastback..... | 50.87 |
|         | MTM 6965 BKK; Coupe.....    | 50.87 |

- Spare Tire Covers**
- |          |   |       |
|----------|---|-------|
| M 45400A | Plaid.....                                | 15.38 |
| M 45400B | Speckled.....                             | 15.38 |
| MTC-BK   | Carpet Tire Cover; 65/68, Black Only..... | 23.95 |

- Trunk Filler Board • Floor to Quarter Panel**
- |          |            |      |
|----------|------------|------|
| M 11228A | 65/66..... | 5.00 |
| M 11228B | 67/68..... | 5.30 |
- See Page 125 For Attaching Parts Kit MHK 198.

- Seat/Trunk Divider Board**
- |          |                           |       |
|----------|---------------------------|-------|
| M 45444A | 65/68; (Coupe).....       | 14.95 |
| M 45444B | 67/68; (Convertible)..... | 13.08 |

# HARD & SOFT TOP PARTS



## Convertible Tops

Manufactured from the highest-quality materials with complete attention to detail and workmanship.

MST 65BK	65/66	Black	w/Curtain.....	Each	265.00
MST 65BKLC	65/66	Black	w/o Curtain .....	Each	195.00
MST 65BU	65/66	Dk. Blue	w/Curtain.....	Each	265.00
MST 65BULC	65/66	Dk. Blue	w/o Curtain .....	Each	195.00
MST 65PT	65/66	Tan	w/Curtain.....	Each	265.00
MST 65PTLC	65/66	Tan	w/o Curtain .....	Each	195.00
MST 65RD	65/66	Red	w/Curtain.....	Each	265.00
MST 65RDLC	65/66	Red	w/o Curtain .....	Each	195.00
MST 65WT	65/66	White	w/Curtain.....	Each	265.00
MST 65WTLC	65/66	White	w/o Curtain .....	Each	195.00
MST 67BK	67/68	Black	w/Curtain.....	Each	265.00
MST 67BKLC	67/68	Black	w/o Curtain .....	Each	195.00
MST 67BU	67/68	Dk. Blue	w/Curtain.....	Each	265.00
MST 67BULC	67/68	Dk. Blue	w/o Curtain .....	Each	195.00
MST 67PT	67/68	Tan	w/Curtain.....	Each	265.00
MST 67PTLC	67/68	Tan	w/o Curtain .....	Each	195.00
MST 67RD	67/68	Red	w/Curtain.....	Each	265.00
MST 67WT	67/68	White	w/Curtain.....	Each	265.00
MST 67WTLC	67/68	White	w/o Curtain .....	Each	195.00
MST 69BK	69/70	Black	w/Curtain.....	Each	265.00
MST 69BKLC	69/70	Black	w/o Curtain .....	Each	195.00
MST 69TN	69/70	Tan	w/Curtain.....	Each	265.00
MST 69WT	69/70	White	w/Curtain.....	Each	265.00
MST 69WTLC	69/70	White	w/o Curtain .....	Each	195.00
MST 71BK	71/73	Black	w/Curtain.....	Each	265.00
MST 71BKLC	71/73	Black	w/o Curtain .....	Each	195.00
MST 71BU	71/73	Blue	w/Curtain.....	Each	265.00
MST 71WT	71/73	White	w/Curtain.....	Each	265.00
MST 71WTLC	71/73	White	w/o Curtain .....	Each	195.00

*\*Note: To use glass windows in your 65/66 convertible tops, you must purchase a 67/68 top and also a 67/68 well liner.*

## Mustang Convertible Tonneau Cover

Convertible Tonneau Covers are an extra source of protection for your classic convertible's interior. Tonneau Cover comes complete with all necessary attaching hardware.

MTC 65BK	65/66	Black.....	Each	159.95
MTC 65WT	65/66	White.....	Each	159.95

*We carry a large inventory of concours-quality parts. Give us a call if you can't find what you need. Our knowledgeable parts specialists will be happy to help!*

## Convertible Plastic Window

Designed to fit in place in your new convertible top. Available in the following colors and applications.

MPC 65BK	65/66	Black .....	Each	65.00
MPC 65BU	65/66	Blue.....	Each	65.00
MPC 65TN	65/66	Tan .....	Each	65.00
MPC 65WT	65/66	White.....	Each	65.00
MPC 67BK	67/68	Black .....	Each	65.00
MPC 67WT	67/68	White.....	Each	65.00
MPC 69BK	69/70	Black .....	Each	65.00
MPC 69BU	69/70	Blue.....	Each	65.00
MPC 69PT	69/70	Parchment.....	Each	65.00
MPC 69RD	69/70	Red.....	Each	65.00
MPC 69TN	69/70	Tan .....	Each	65.00
MPC 69WT	69/70	White.....	Each	65.00
MPC 71BK	71/73	Black .....	Each	65.00
MPC 71WT	71/73	White.....	Each	65.00

## Convertible Glass Window

Designed to fit in place in your new convertible top. Available in the following colors and applications.

MST GL65BK	65/70	Black .....	Each	217.15
MST GL65BU	65/70	Dk. Blue.....	Each	217.15
MST GL65TN	65/70	Tan .....	Each	217.15
MST GK65WT	65/70	White.....	Each	217.15
MST GL71BK	71/73	Black .....	Each	217.15
MST GL71WT	71/73	White.....	Each	217.15

*Note: When converting to a Glass Window on a 65/66 Mustang, a 67/68 Top and Well Liner must be used.*

## Convertible Top Well Liner

Convertible Well Covers fit between the rear seat and the trunk. Soft Top folds down into the Conv. Well Cover. Be sure to specify Year & Color when ordering.

M 54486A	65/66	Black.....	Each	36.95
M 54486B	65/66	White .....	Each	36.95
M 54486D	67/68	Black.....	Each	36.95
M 54486E	67/68	White .....	Each	36.95
M 54486F	69/70	Black.....	Each	36.95
M 54486G	71/73	Black.....	Each	36.95
M 54486H	71/73	White .....	Each	36.95

*See Page 125 For Attaching Parts Kit MHK 95.*

## Convertible Top Weatherstrip Kits

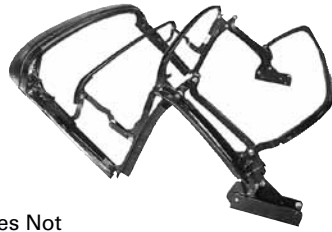
We have re-engineered our popular Convertible Top Weatherstrip Kit for 1965/68 Mustangs to fit better than ever! Each kit includes weatherstrip pieces as shown in illustration on page 9.

M 51563K	65/68; Extruded Reproduction of Original.			
	Consists Of 5 Pieces & Attaching Hardware .....			
	.....Set		83.15	
M 51563AK	69/70; Consists Of 5 Pieces & Attaching Hardware			
	.....Set		149.95	
M 51563BK	71/73; Consists Of 7 Pieces & Attaching Hardware			
	.....Set		175.00	
MSP351320K65/68; Convertible Top Seal Mounting Washer Set				
	Correct Size & Thickness (Set of 16).....Set		7.02	
MSP379361K65/68; Convertible Top Seal Mounting Nut Set				
	Zinc Plated, Exact Copy (Set of 16).....Set		13.08	



# HARD & SOFT TOP PARTS

## Convertible Top Frame Assembly



M 50338A 65/66; Assembly Only. Does Not Include The Soft Top Cover..... Set 1,399.00

Note: This frame assembly is in an oversized package and freight will be charged at a rate for 119 lbs.

## Convertible Top Pad

Manufactured from the highest-quality materials with complete attention to detail and workmanship.

MTP 65BK 65/73 Black..... Pair 25.95

## Dome Lamp

### M 13783 Dome Lamp & Pillar Lamp Lens

M 13783A 67/70; (Coupe) ..... 3.48  
 M 13783B 65/69; (Fastback), Pillar lamp lens ..... 1.25  
 M 13783D 71/73; (Except Convertible) from 6/1/71 ..... 6.25

### M 13788 Dome Lamp Bezel

M 13788A 67/70; (Coupe) ..... 6.38

## Fog Lamp Switch

M 15668C 68..... Each 54.30  
 M 15668D 69/70..... Each 58.45  
 M 15668E 71/73..... Each 58.45

## Convertible Top Switch



M 15668A

### M 15668 Convertible Top Control Switch

M 15668A 65/66..... 49.95

### M 15674 Convertible Top Switch Bezel

M 15674A 64 12/66; Includes Bezel & Knob..... Set 38.95

## Power Top Wire Loom

M 15669A 65/66; Wire loom power top under hood..... 16.11

## Convertible Well Trim Moulding (Side Pieces)

M 42318A 65/66 ..... Pair 124.95  
 MSP 359274K 65/66; Snap Stud Kit. Inc. (17) Snap Studs/Retainers ..... Set 14.09

## Convertible Well Trim Moulding (Center Pieces)

M 42320A 65/66; Stainless - 1 Piece/Center..... Each 36.31  
 MSP 359274K 65/66; Snap Stud Kit. Inc. (17) Snap Studs/Retainers ..... Set 14.09  
 Use With Part No. M 42318 for Complete Well Trim.

## Convertible Top Boot



The finest quality Convertible Top Boot to protect your Mustang's convertible top, complete with all correct attaching hardware. Available in the following colors:

MBT 65BK	65/66	Black.....	Each	89.95
MBT 65BU	65	Blue.....	Each	89.95
MBT 65IG	65	Ivy Gold.....	Each	89.95
MBT 65PO	65	Palomino.....	Each	89.95
MBT 65RD	65	Red.....	Each	89.95
MBT 65WT	65/66	White.....	Each	89.95
MBT 66AQ	66	Aqua.....	Each	89.95
MBT 66BU	66	Blue.....	Each	89.95
MBT 66MN	66	Maroon.....	Each	89.95
MBT 66PT	66	Parchment.....	Each	89.95
MBT 67AQ	67	Aqua.....	Each	89.95
MBT 67BK	67	Black.....	Each	89.95
MBT 67BU	67	Blue.....	Each	89.95
MBT 67IG	67	Ivy Gold.....	Each	89.95
MBT 67MN	67	Maroon.....	Each	89.95
MBT 67PT	67	Parchment.....	Each	89.95
MBT 67SD	67	Saddle.....	Each	89.95
MBT 67WT	67	White.....	Each	89.95
MBT 68AQ	68	Aqua.....	Each	89.95
MBT 68BK	68	Black.....	Each	89.95
MBT 68BU	68	Blue.....	Each	89.95
MBT 68MN	68	Maroon.....	Each	89.95
MBT 68NG	68	Nugget Gold.....	Each	89.95
MBT 68PT	68	Parchment.....	Each	89.95
MBT 68WT	68	White.....	Each	89.95
MBT 69BK	69/70	Black.....	Each	89.95
MBT 69MN	69/70	Maroon.....	Each	89.95
MBT 69WT	69/70	White.....	Each	89.95
MBT 71BK	71/73	Black.....	Each	89.95
MBT 71BU	71/73	Blue.....	Each	89.95
MBT 71GN	71/73	Green.....	Each	89.95
MBT 71MN	71/73	Maroon.....	Each	89.95
MBT 71WT	71/73	White.....	Each	89.95
<b>MSP 359274K</b>		<b>Snap Stud Kit. Includes (17) Snap Studs w/Retainers.....</b>	<b>14.09</b>	

See Page 125 For Attaching Parts Kits MHK 425.

## Convertible Top Repair Manual

For 64/66 Mustangs.  
 MLT 5..... 7.50



# HARD & SOFT TOP PARTS

## Headliners

Our Mustang Headliners are crafted from proper original-type vinyls, with the right grains and colors for your restoration job.

Available in the following colors and applications.

MHL 65AQC	65/70	Aqua	Coupe.....	Each	42.95
MHL 65AQF	65/68	Aqua	Fastback ...	Each	42.95
MHL 65BKC	65/70	Black	Coupe.....	Each	42.95
MHL 65BKF	65/68	Black	Fastback ...	Each	42.95
MHL 65DKAACQ	65/70	Dk. Aqua	Coupe.....	Each	42.95
MHL 65DKAQF	65/68	Dk. Aqua	Fastback ...	Each	42.95
MHL 65DKGNC	65/70	Dk. Green	Coupe.....	Each	42.95
MHL 65IGF	65/68	Ivy Gold	Fastback ...	Each	42.95
MHL 65LTBUC	65/70	Lt. Blue	Coupe.....	Each	42.95
MHL 65LTBUF	65/68	Lt. Blue	Fastback ...	Each	42.95
MHL 65LTGNC	65/70	Lt. Green	Coupe.....	Each	42.95
MHL 65MDBUC	65/70	Med. Blue	Coupe.....	Each	42.95
MHL 65MDBUF	65/68	Med. Blue	Fastback ...	Each	42.95
MHL 65POC	65/70	Palomino	Coupe.....	Each	42.95
MHL 65POF	65/68	Palomino	Fastback ...	Each	42.95
MHL 65RDC	65/70	Red	Coupe.....	Each	42.95
MHL 65RDF	65/68	Red	Fastback ...	Each	42.95
MHL 65WTC	65/70	White	Coupe.....	Each	42.95
MHL 65WTF	65/68	White	Fastback ...	Each	42.95
MHL 66MNC	65/70	Maroon	Coupe.....	Each	42.95
MHL 66MNF	65/68	Maroon	Fastback ...	Each	42.95
MHL 66PTC	65/70	Parchment	Coupe.....	Each	42.95
MHL 66PTF	65/68	Parchment	Fastback ...	Each	42.95
MHL 67NGC	65/70	Nugget Gold	Coupe.....	Each	42.95
MHL 69BKF	69/70	Black	Fastback ...	Each	42.95
MHL 69DKGNF	69/70	Dk. Green	Fastback ...	Each	42.95
MHL 69IGF	69/70	Ivy Gold	Fastback ...	Each	42.95
MHL 69LTBUF	69/70	Lt. Blue	Fastback ...	Each	42.95
MHL 69MDBUF	69/70	Med. Blue	Fastback ...	Each	42.95
MHL 69MNF	69/70	Maroon	Fastback ...	Each	42.95
MHL 69PTF	69/70	Parchment	Fastback ...	Each	42.95
MHL 69RDF	69/70	Red	Fastback ...	Each	42.95
MHL 69WTF	69/70	White	Fastback ...	Each	42.95
MHL 70GIF	69/70	Ginger	Fastback ...	Each	42.95
MHL 71BKC	71/73	Black	Coupe.....	Each	42.95
MHL 71BKF	71/73	Black	Fastback ...	Each	42.95
MHL 71DKBUC	71/73	Dk. Blue	Coupe.....	Each	42.95
MHL 71DKBUF	71/73	Dk. Blue	Fastback ...	Each	42.95
MHL 71GIC	71/73	Ginger	Coupe.....	Each	42.95
MHL 71GIF	71/73	Ginger	Fastback ...	Each	42.95
MHL 71GNC	71/73	Dk. Green	Coupe.....	Each	42.95
MHL 71GNF	71/73	Dk. Green	Fastback ...	Each	42.95
MHL 71LTBUF	71/73	Lt. Blue	Fastback ...	Each	42.95
MHL 71MDBUC	71/73	Med. Blue	Coupe.....	Each	42.95
MHL 71MNF	71/73	Maroon	Fastback ...	Each	42.95
MHL 71PTF	71/73	Parchment	Fastback ...	Each	42.95
MHL 71RDC	71/73	Red	Coupe.....	Each	42.95
MHL 71RDF	71/73	Red	Fastback ...	Each	42.95
MHL 71SDC	71/73	Saddle	Coupe.....	Each	42.95
MHL 71SDF	71/73	Saddle	Fastback ...	Each	42.95
MHL 71TNC	71/73	Tan	Coupe.....	Each	42.95
MHL 71WTC	71/73	White	Coupe.....	Each	42.95
MHL 71WTF	71/73	White	Fastback ...	Each	42.95

See Page 125 For Attaching Parts Kits MHK 177, 178 & 179.

## Headliner Installation Kit

Each Headliner Installation Kit includes instructions and glue for proper installation of a new Larry's headliner.

MHL KT	65/73	.....	.....	.....	3.54
--------	-------	-------	-------	-------	------

## Landau Vinyl Top

Each Landau Vinyl Top features correct grain and is available in Black or White only. Each top is handcrafted, dielectrically seamed and guaranteed to fit properly! Please Specify Year & Color Required When Ordering.

MLD 65BK	65/70	Black	Coupe .....	145.00
MLD 65WT	65/70	White	Coupe .....	145.00
MLD 71BK	71/73	Black	Coupe .....	145.00
MLD 71WT	71/73	White	Coupe .....	145.00

## Hard Top Roof Brace

M 03408A	65/68; Front Brace, CPE & Fastback .....	Each	76.95
M 03408B	69/70; Front Brace, Fastback .....	Each	76.95

## Folding Top Hold Down Clamp



M 50500A	65/68; RH.....	13.99
M 50501A	65/68; LH.....	13.99

## Convertible Top Latch Mounting Base

M 50500B	65/67; These Are The Parts The M-50508A & B Mount To .....	Pair	159.95
----------	--	------	--------

## Convertible Top Front Latch Assembly

M 50508C	65/68; RH.....	<b>NEW</b>	Each	199.95
M 50509C	65/68; LH.....	<b>NEW</b>	Each	199.95
M 50508D	69/70; RH.....	<b>NEW</b>	Each	210.95
M 50509D	69/70; LH.....	<b>NEW</b>	Each	210.95
M 50508E	71/73; RH.....	<b>NEW</b>	Each	229.95
M 50509E	71/73; LH.....	<b>NEW</b>	Each	229.95

**Big Selection of Parts! Whether it's a hard to find part or a standard Mustang replacement part, Larry's has what you're looking for. Our inventory of parts is concours-quality. Give us a call if you can't find the parts you need. Our knowledgeable parts specialists will be happy to help!**

# HARD & SOFT TOP PARTS

## Clip, Roofrail Weatherstrip & Window Guide

M 22244A	69; 2+2 & Coupe 4 Required .....	2.53
M 22245B	71/73; 2+2 & Coupe at Quarter 2 Required .....	2.53
M 22244C	71/73; Fits All at Door 2 Required.....	2.53

## Interior Roof Mouldings

M 42410BK	67/68; Fastback, 6 Pieces .....	Set	243.95
-----------	---------------------------------	-----	--------

## Roof Panel

M 50202A	65/66; Fastback.....	Each	335.00
M 50202C	67/68; Fastback.....	Each	335.00
M 50202D	69/70; Fastback.....	Each	349.95

## Folding Top Hold Down Hook



M 50536	Folding Top Hold Down Hook		
M 50536A	65/66.....	Pair	11.06

## Convertible Top Locator Pin



M 50600	Folding Top Hydraulic Cylinder		
M 50600A	65/70.....	Each	129.95

## Roof Side Rail Weatherstrip

M 51222A	65/66; RH & LH, (Fastback).....	Pair	46.41
M 51222B	67/68; RH & LH, (Fastback).....	Pair	53.45
M 51222C	69/70; RH & LH, (Fastback).....	Pair	78.70
M 51222D	65/66; RH & LH, (Coupe).....	Pair	21.37
M 51222E	67/68; RH & LH, (Coupe).....	Pair	26.21
M 51222F	69/70; RH & LH, (Coupe).....	Pair	45.40
M 51222G	71/73; RH & LH, (Except Convertible).....	Pair	68.50

## Convertible Top Front Weatherstrip

M 51325A	71/73.....		13.08
----------	------------	--	-------

## Convertible Top Locator Pin



M 51438A	65/66 + 68.....	Each	8.35
----------	-----------------	------	------

## Drip Rail

M 51700C	67/68; Fastback, These are the steel rails that are welded to the edge of the roof. The original ones are generally rusted and need to be replaced. ....	Pair	110.50
----------	--	------	--------

## Roof Emblem

M 51720A	69; Fastback.....	Pair	89.95
----------	-------------------	------	-------



## Roof Side Drip Rail Moulding

M 51726/7A	65/68; (Coupe), Stainless.....	Pair	50.45
M 51726/7B	65/66; (Fastback), Stainless .....	Pair	60.55
M 51726/7C	67/68; (Fastback).....	Pair	60.55
M 51726/7D	69/70; (Fastback).....	Pair	64.59
M 51726/7E	69/70; (Coupe).....	Pair	65.60

## Convertible Top Rear Tacking Strip

Constructed from galvanized steel framing and lined with tacking material. Installs under rear well lining edge for easy installation and for a great fit on your new convertible top.

M 51745A	65/66; 3-Piece Set .....	121.15
M 51745B	67/68; 3-Piece Set .....	121.15

## Vinyl Roof Side Moulding

M 51756A	65/66; (Coupe).....	Pair	60.55
M 51756B	67/68; (Coupe).....	Pair	60.55

## M 52104 Headliner Bow Set

M 52104C	67/68; Fastback, 5PC Set .....	40.00
----------	--------------------------------	-------

## M 52806 Convertible Top Side Tension Cable

M 52806A	64 1/2/65; Early Style .....	Pair	18.13
M 52806B	65/68; Spring-Type .....	Pair	18.13
M 52806C	69/70; Spring-Type .....	Pair	18.13

## Convertible Top Hydraulic Pump

M 53300A	65/73; Pump and motor w/reservoir .....	245.00
----------	---	--------

## M 53456 Convertible Top Hose Kit

M 53456A	65/68 .....	90.85
----------	-------------	-------

## M 53986 Folding Top Front Weatherstrip

M 53986A	65/68, Incl. front header section & front portions of side window .....	41.55
----------	--	-------

## Attaching Hardware for this Section

MHK 95	Screw Kit, Well Liner; 65/73, Black, (Kit of 11) .....	9.89
MHK 179	Screw Kit, Headliner & Wrap Band - Fastback; 65/66, (Kit of 10) .....	4.75
MHK 180	Screw Kit, Upper Weatherstrip Trim - Convertible; 65/66, (Kit of 6) .....	3.08
MHK 295	Nuts, Convertible Top Weatherstrip; 65/68 .....	18.50
MHK 296	Screw Kit, Convertible Top Bow End; 65/66 (Kit of 4) .....	2.18
MSP 351320K	Washers, Convertible Top Seal Mounting; 65/68 Correct size and thickness, (set of 16).....	7.02
MSP 359274K	Convertible Rear Belt Moulding Boot Snap Stud Kit 65/66; Includes: (17) Snap Studs & Captive Nut Retainers .....	14.09
MSP 359275	Snap Studs, Quarter Trim; 65/68, Convertible (Set of 6) .....	9.04
MSP 372047	Clip, Conv. Top Control Wire Loom; (5 req.) .....	3.37
MSP 379361K	Convertible Top Seal Mounting Nuts; 65/68, Zinc-plated, exact copy, (Set of 16).....	13.08
MSP 380348	Conv. Top Latch Handle Truss Screw; 65/66.....	7.65

# SEAT HARDWARE

## Fold Down Seat Moulding Set

M 13018AK	65/68 Fastback, 14PC Set .....	230.95
M 13018BK	69/70 Fastback, 13PC Set .....	230.95
<b>M 13190</b>	<b>Seat Track Plate</b>	
M 13190A	65/67; Protects Carpet From Seat Track. (4) Req. Per Seat .....	Each 1.97

## Seat/Trunk Divider Board

M 45444A	65/68; (Coupe) .....	14.95
M 45444B	67/68; (Convertible).....	13.08
M 45444C	65/66; (Coupe) Metal-type.....	89.95
M 45444D	65/66; (Convertible) Metal-type .....	79.74
M 45444E	67/68; (Convertible) Metal-type .....	79.74

## Interior to Trunk Trap Door

M 45728A	65/66; Fastback.....	193.75
M 45728B	67/68; Fastback.....	193.75
M 45728C	69/70; Fastback.....	193.75

## Seat Frames



M 60050B

M 60050A	65/66; Front Seat Bottom, LH.....	159.95
M 60050B	65/66; Front Seat Bottom, RH .....	159.95
M 60050C	67/68; 2+2 Rear Seat Bottom .....	279.95
M 60050D	67/68; 2+2 Rear Seat Back .....	159.95
M 60051A	65/68; Front Seat Frame Complete, LH.....	439.95
M 60051B	65/68; Front Seat Frame Complete, RH .....	439.95

<b>M 60575</b>	<b>Fastback Rear Seat Hardware Kit</b>	
	Each kit includes all rests, bumpers and guides.	
M 60575AK	65 (Early) .....	29.24
M 60575BK	65/66 (Late '65).....	37.32
<b>M 60762</b>	<b>Front Seat Back Trim Panel</b>	
	Has Correct Grain Texture and Includes Clips. For Standard and Deluxe interiors.	
M 60762A	69/70; RH or LH .....	55.50
<b>M 61326</b>	<b>Fastback Fold Down Seat Latch Cover</b>	
M 61326A	66 .....	27.22
M 61326B	65 .....	29.24
M 61326C	67 .....	Pair 55.50
M 61326D	67; (Without Fold Down Seat).....	Pair 55.50
<b>M 61330</b>	<b>Fastback Fold Down Seat Latch Bumpers</b>	
M 61330A	65/66 .....	Each 2.98
M 61330B	67/68 .....	Pair 5.00
<b>M 61382</b>	<b>Fastback Fold Down Seat Latch</b>	
M 61382A	65; (1) Required.....	Each 48.95
M 61382B	66; (1) Required.....	Each 48.95
M 61382C	67/70; RH .....	Each 56.50
M 61382D	67/70; LH.....	Each 56.50
<b>M 61390</b>	<b>Complete Fold Down Assembly</b>	
M 61390AK	65/66; Fastback, Kit .....	1,210.75
M 61390BK	67/70; Fastback, Kit .....	1,210.75
	<i>Each Kit Includes; Frames, Hinges, New Chrome Mouldings and Black Carpet</i>	
<b>M 61610</b>	<b>Seat Side Moulding Spacer Set</b>	
M 61610A	65/67; Set includes (3) Spacers & (3) Screws. 2 Sets required per car .....	Set 7.50
M 61610B	67; 12 Piece Kit.....	Set 9.95
<b>M 61616/7</b>	<b>Front Seat Back Side Shield</b>	
M 61616A	65/67; RH, Aluminum .....	20.15
M 61616B	67; RH, Deluxe .....	109.95
M 61617A	65/67; LH, Aluminum.....	20.15
M 61617B	67; LH, Deluxe.....	109.95
	<i>See Page 125 For Attaching Parts Kit MHK 50.</i>	

<b>M 61643</b>	<b>Front Seat Back Stop Plate</b>	
M 61643A	65/69; Bucket Seats.....	Each 4.92

## Seat Back Adjusting Kit

M 61643B	65/67; Front Buckets .....	9.04
----------	----------------------------	------

## Seat Hinge Cover

M 61692A	65/67; Black .....	Pair 15.50
M 61692B	65/67; White .....	Pair 15.50
M 61692C	68/70; White .....	Pair 30.25
M 61692D	68/70; Black .....	Pair 30.25

## Seat Belts

MSB BK	65/73	Black	Per Side .....	Each 24.19
MSB BU	65/73	Blue	Per Side .....	Each 24.19
MSB GI	65/73	Ginger	Per Side .....	Each 24.19
MSB GN	65/73	Green	Per Side .....	Each 24.19
MSB IG	65/73	Ivy Gold	Per Side .....	Each 24.19
MSB MN	65/73	Maroon	Per Side .....	Each 24.19
MSB PO	65/73	Palomino	Per Side .....	Each 24.19
MSB PT	65/73	Parchment	Per Side .....	Each 24.19
MSB RD	65/73	Red	Per Side .....	Each 24.19
MSBTQ	65/73	Turquoise	Per Side .....	Each 24.19
MSBWT	65/73	White	Per Side .....	Each 24.19
MSB KT	Seat Belt Bolt Kit (1 Required Per Belt).....			5.00

<b>M 61694</b>	<b>Seat Hinge Pin &amp; Washer Set</b>	
M 61694A	65/66; Includes (4) Washers & (4) Pins.....	Set 3.28

## Seat Tracks

M 61704A	65/68; 1Pair, Enough For 1 Bucket.....	Pair 70.65
M 61704B	69/70; 1 Pair, Enough For 1 Bucket.....	Pair 70.65
	MHK 114 Nut Kit, Seat Mounting; (Kit of 4) .....	2.95

## Seat Adjusting Knob

M 61753A	65/73; Manual Bucket Seat; 65/68, Bench Seat .....	4.95
----------	--	------

<b>M 61823</b>	<b>Seat Track Spring Set</b>	
M 61823A	65/68; Black Phosphorus (Set of 3).....	Per Set 12.07

## Seat Hinge Repair Bracket

M 61846B	68/70; LH Inner .....	Each 29.95
----------	-----------------------	------------

## Lower Seat Side Shield

M 62186A	67; RH/LH, Deluxe Interior .....	Pair 86.95
	<i>Note: Also See Part M 61616/7.</i>	

<b>M 62418</b>	<b>Rear Seat Back Latch Handle</b>	
M 62418A	65/66; RH, (Fastback), Use with folding rear seat; 67/70; RH or LH(Fastback), Use w/folding rear seat.....	Each 10.05

<b>M 62426</b>	<b>Fastback Fold Down Bumpers</b>	
M 62426A	65 (Late) to 70; Seat To Floor. Includes Nuts ...	Pair 7.58
M 62426B	65 (Early) with screws .....	Pair 6.01

<b>M 62427</b>	<b>Fastback Fold Down Side Frame Bumpers</b>	
M 62427A	65/70; Fastback.....	Set of 4 3.99

<b>M 62428</b>	<b>Trap Door Bumpers</b>	
M 62428A	65/66; Fastback.....	Set of 2 2.98
M 62428B	67/70; Fastback.....	Set of 4 3.54

<b>M 62622</b>	<b>Seat Latch Handle Kit</b>	
M 62622A	68/70; 6 Piece Kit.....	Set 22.17
M 62622B	71; Chrome, With Set Screws .....	Pair 33.95
M 62622C	72/73; Chrome, With Set Screws .....	Pair 33.95

## Attaching Hardware for this Section

MHK 50	Screw Kit, Seat Trim Plate; 65/67, (Kit of 6) .	3.21
MHK 114	Nut Kit, Seat Mounting; (Kit of 4).....	4.56
MHK 279	Bolt Kit, Seat Track; 65/70, (Kit of 2).....	3.95

# RUBBER PLUGS, GROMMETS & BUMPERS

<b>M 9288 Fuel Line Side Apron Grommet</b>	
M 9288A 65/67 (early '67) .....	1.01
M 9288B 67/70 (late '67).....	1.01
M 9288C 71/73 (3 required) .....	Each 1.46

## Quarter Panel Drain Plug Kit



M 10358A 65/66; RH & LH.....	Pair 6.38
M 10358B 67/68; RH & LH.....	Pair 9.59

## Rubber Plug & Grommet Kits



<b>M 11135A 65/66.</b> Includes Plugs For: Shocks, Access Holes, Seat Mounting Access Holes, Qtr. Panel Drain Holes & Misc. Plugs For Entire Vehicle. ....	21.50
<b>M 11135B 65/66.</b> As Shown Above, But Including Part #M19588A Grommet For Cars With A/C.....	23.51
<b>M 11135C 67.</b> Includes Plugs For: Shocks, Access Holes, Seat Mounting Access Holes, Qtr. Panel Drain Holes & Misc. Plugs For Entire Vehicle. (Does Not Include Plugs For A/C) .....	27.80
<b>M 11135D 68.</b> Includes Plugs For: Seat Nut Access, Front Fender Apron, Front Frame Rail, Trunk Floor, Rear Spring Front Bolt Access, Rear Shock Access .....	27.80
<b>M 11135E 69/70.</b> Includes Plugs For: Seat Nut Access, Front Fender Apron, Front Frame Rail, Trunk Floor, Rear Shock Access, Heater Hose Holes, Top of Cowel under Fender & Rear Spring Front Bolt Access .....	28.95
<b>M 11135F 71/73.</b> Includes Plugs For: Top of Cowl, Trunk Floor, Front Floor Pan, Rear Shock Access, Rear Spring Front Bolt Access, Side of Cowel Behind Fender.....	14.95

## Hood Bumpers



<b>M 16758A</b>	<b>M 16758B</b>	<b>M 16763A</b>	<b>M 16763B</b>
M 16758A 65/66; Push-In Type, On Fender, (4) Required 67/68; (2) Required • Front.....	Each 1.02		
M 16758B 67/68; Hood On Fender • Rear; (2) Required	Each 1.02		
M 16758C 69/70; Front Fender To Cowl At Windshield (2) Req.....	Each 1.02		
M 16758D 70; On Fender - Wedge Shape • (4) Required	Each .96		
M 16758E 71/73; On Fender - Wedge Shape • (4) Required	Each 1.02		
MSP 380478 69/70; Firewall to Hood; (2) Required 71/73; Firewall to Hood; (3) Required.....	Each 1.52		
M 16763A 65/73; On Radiator Support Bracket (2) Required.....	Each 4.12		
M 16763B 64 1/2-65; Early Type w/Screw Hole.....	Each 3.89		

<b>M 21762 Door Inside Window Stop Bumper</b>	
M 21762A 65/67; Before 12/30/66 69/70; Fastback & Coupe Only (2 Required) ...	Each 3.16

## Front Door Vent Window Bumper

M 21774A 65/66; Upper, Includes Mounting Rivet .....	Pair 8.03
--	-----------

<b>M 23030 Door Bumper Upper</b>	
M 23030A 65/68; (4) Required .....	Each .86

## Door Bumper

M 26528A 69/72; (4 Required) .....	Each 1.02
------------------------------------	-----------

<b>M 61330 Fastback Fold Down Seat Latch Bumpers</b>	
M 61330A 65/66 .....	Each 2.98
M 61330B 67/68 .....	Pair 5.00

## Fastback Fold Down Bumpers

M 62426A 65 (Late) to 70; Seat To Floor. Includes Nuts ...	Pair 7.58
M 62426B 65 (Early) with screws.....	Pair 6.01

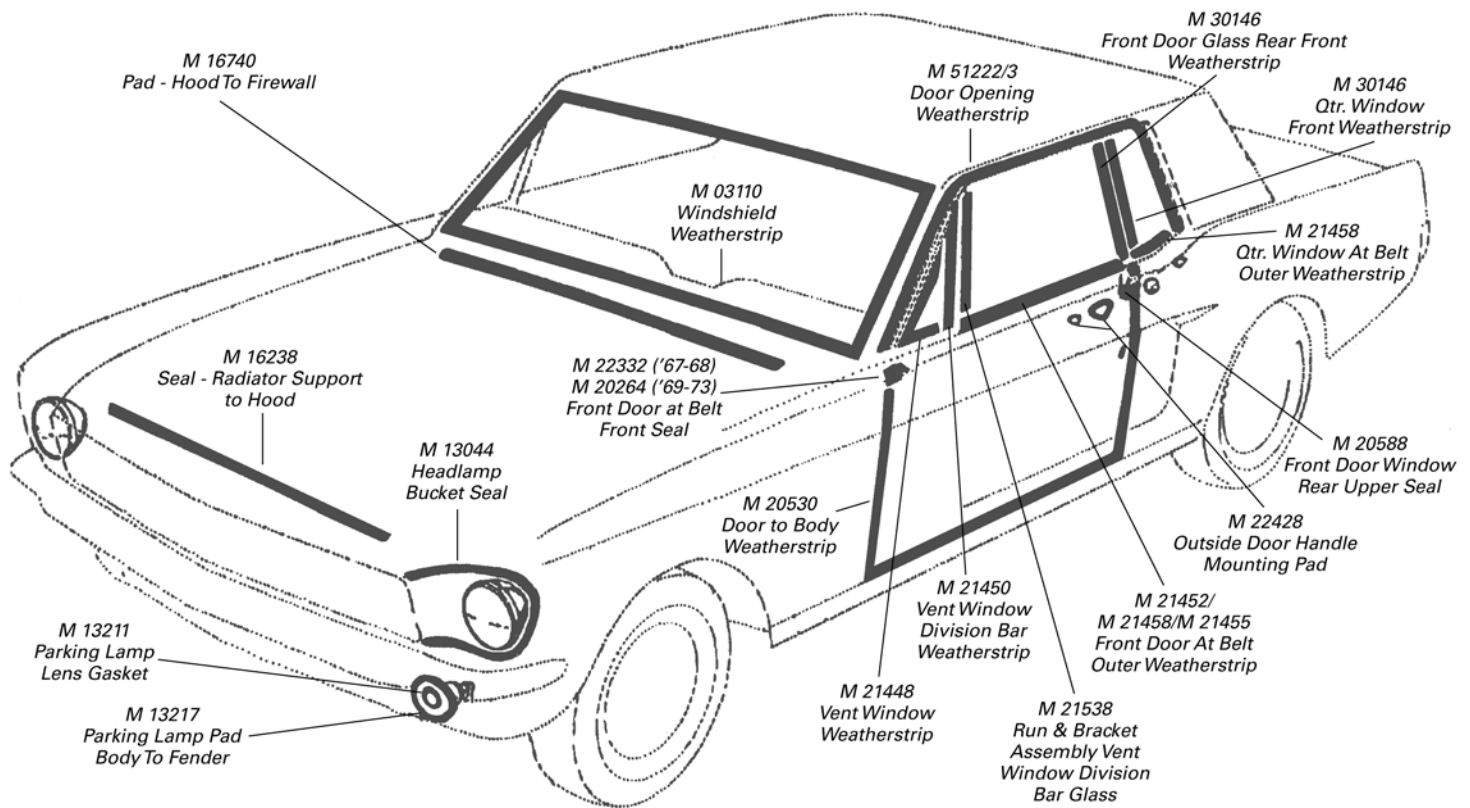
<b>M 62427 Fastback Fold Down Side Frame Bumpers</b>	
M 62427A 65/70; Fastback.....	Set of 4 3.99

<b>M 62428 Trap Door Bumpers</b>	
M 62428A 65/66; Fastback.....	Set of 2 2.98
M 62428B 67/70; Fastback.....	Set of 4 3.54

## Attaching Hardware for this Section

MHK 99	Bumper, Front License Plate; 65/68.....	Each 1.67
MHK 133	Plug Kit, Brake Adjusting Hole; 65/73, (Kit of 4) .....	2.76
MHK 165	Bumper Kit, Trunk Lid & Fastback Trunk Access Door 65/66, (Kit of 2).....	4.75
MHK 166	Bumper Kit, Trunk Lid; 67/68, (Kit of 2).....	4.75
MHK 183	Rubber Bumper, Rear License Plate; 65/68, (Kit of 2) .....	2.18
MHK 184	Bumper, Glove Box Door; 65/66 & 71/73 67/70 License Plate Bumper (Kit of 2).....	2.18
MHK 185	Bumper, Ash Tray; 65/66, (Kit of 2).....	2.18
MHK 242	Grommet, Brake Line; 65/69, (2 required).....	Each 1.48
MHK 244	Grommet Kit, Fog Lamp Harness; 65/67, (Kit of 2) .....	2.51
MHK 245	Grommet, Fender Harness; 65/66 .....	Each 2.51
MHK 246	Grommet Kit, Parking Lamp Wire; 65/66 (Kit of 2) .....	2.76
MSP 377366	Grommet, Leaf Spring Access Hole; 67/73.....	Each 1.55
MSP 377901K	Plugs, Seat Meeting Access Hole; 65/68, (Set of 8) .....	Set 8.52
MSP 377936	Grommet, Inner Frame Rail & Center Cowl, 67/70.....	Each 1.34
MSP 379998K	Bushings, Standard Shift Lever; 65/73 (Set of 2) .....	Set 5.68
MSP 380369	Glove Box Bumper, 67/70 .....	Each 2.02
MSP 380478	Bumper, Firewall to Hood, 69/70, (2 Req.) Bumper, Firewall to Hood, 71/73, (3 Req.).....	Each 1.52
MSP 381898	Grommet, for PCV in Oil Cap; 68/73 ...	Each 1.52

# BODY WEATHERSTRIPPING



## Lamp Gasket Kits



M 13000A	65/66; Includes Gaskets & Pads for Blinker Lights, Tail Lights, Back-Up Lights & License Plate Light.....	21.37
M 13000B	67/68; Includes Gaskets & Pads for Blinker Lights, Tail Lights, Back-Up Lights & License Plate Light.....	31.01

### M 02626/7 Front Body Pillar Weatherstrip • Upper

M 02626A	65/68; RH, (Convertible).....	10.05
M 02627A	65/68; LH, (Convertible).....	10.05
M 02626B	69/70; RH, (Convertible).....	126.25
M 02627B	69/70; LH, (Convertible).....	126.25
M 02626C	71/73; RH, (Convertible).....	40.35
M 02627C	71/73; LH, (Convertible).....	40.35

### M 03110 Windshield Weatherstrip

M 03110A	65/68.....	21.37
----------	------------	-------

### M 13044 Headlamp Bucket to Fender Seal

M 13044A	67/68.....	Each 1.25
----------	------------	-----------

### M 13211 Parking Lamp Lens Gasket

M 13211A	65/68.....	Each 1.02
M 13211B	67/68.....	Each 1.02
M 13211C	69/70.....	Each 1.52
M 13211D	71/72.....	Each 1.52
M 13211E	70; Mach 1 grille lamps & 69/70; Shelby.....	Each 1.52

### M 13217 Park Lamp Body to Fender Pad

M 13217A	65/66; RH & LH.....	Pair 5.30
----------	---------------------	-----------

### M 13368 Hood Turn Indicator Lens Gasket

M 13368A	67/68.....	Pair .96
----------	------------	----------

### M 13420 Rear Lamp Mounting Pad

M 13420A	65/66.....	Pair 3.16
M 13420B	67/68.....	Each 3.16

### M 13461 Rear Lamp Lens Gasket

M 13461A	67/68; Shelby.....	Each 1.95
M 13461B	65/66.....	Pair 3.16
M 13461C	67/68.....	Pair 3.75
M 13461D	69.....	Pair 3.75

### M 13520 Rear Lamp Housing to Body Seal

M 13520A	67/68.....	Each 12.63
M 13520B	69.....	Each 14.09
M 13520C	70.....	Each 21.16
M 13520D	71/73.....	Each 19.14

# BODY WEATHERSTRIPPING

<b>M 13568</b>	<b>Rear Licence Lamp Lens Gasket</b>		
M 13568A	65/73 .....		1.18
<b>M 15209</b>	<b>Marker Lamp Seal</b>		
M 15209A	68; Front Fender Marker Lamp Lens Gasket ...	Pair	.96
M 15209B	70; Rear Marker Lamp Lens Gasket .....	Pair	.96
<b>M 15447</b>	<b>Marker Lamp Seal</b>		
M 15447A	69; Front & Rear Marker Lamp to Body Pads		
	Set Of 4 .....		1.46
M 15447B	70; Rear Marker Lamp to Body Seals .....	Pair	1.52
M 15447C	71/73; Rear Marker Lamp to Body Seals .....	Pair	1.52
	Note: Also See Part No. M 15209.		
<b>M 15510</b>	<b>Back-Up Lamp Lens Gasket</b>		
M 15510A	65/70 .....	Pair	1.88
<b>M 15533</b>	<b>Back-Up Lamp to Body Seal</b>		
M 15533A	65/66; RH & LH .....	Pair	5.30
M 15533B	67/70; RH or LH .....	Pair	5.30
<b>M 16130</b>	<b>Front Fender Extension Seal</b>		
M 16130A	70; Cut to size .....		5.09

<b>M 16666</b>	<b>Non-Funtional Hood Scoop Seal</b>		
M 16666A	69/70; Goes behind hood scoop grille.		
	Includes fasteners .....	Set	8.03

## Hood to Firewall Pad


M 16740A	65/66; With Attaching Clips; Reproduction Of Original		6.38
M 16740B	67/68; With Attaching Clips; Reproduction Of Original		6.38
M 16740C	69/70 .....		7.15
M 16740D	71/73 .....		7.15
<b>M 17475</b>	<b>Windshield Wiper Pivot Shaft to Cowl Seal</b>		
M 17475A	65/70 .....	Pair	2.14

### Radiator Support to Hood Seal



M 16238A 65/68; Rubber ..... 5.95

### Outside Mirror Mounting Pad



M 17724A	65/66; Used with Standard Round-Head Mirror .....		1.45
M 17724B	65/66; Used with Remote Round-Head Mirror .....		1.45
M 17724C	69/70; RH & LH, Used with Racing-Type Mirror .....	Pair	7.02
M 17724E	67/668; RH or LH Standard Mirror .....	Each	3.75

### Splash Shield Rubber Kit



<b>M 16572</b>	<b>Splash Shield Rubber Kit</b>		
M 16572A	65/66; Includes Staples For Installation .....		14.46
M 16572B	67/68; Includes Staples For Installation .....		16.01

## Antenna Base Pad

M 18919A	65/67 .....	Each	2.09
<b>M 20264/5</b>	<b>Door Front at Belt Seal</b>		
M 20264/5A	69/70 .....	Pair	12.80
M 20264/5B	71/73 .....	Pair	18.13
<b>M 20272</b>	<b>Door Bottom Seal</b>		
M 20272A	69/70; Includes Fasteners .....	Pair	12.63

## Hood Weatherstrip & Bumper Kits

M 16600A	65/66; Kit Includes: (1) Cowl Seal, (1) Radiator Support Seal & (6) Hood Bumpers .....		23.51
M 16600B	67/68; Kit Includes: (1) Cowl Seal, (1) Radiator Support Seal & (6) Hood Bumpers .....		23.51
M 16600C	69; Kit Includes: (1) Cowl Seal & (6) Hood Bumpers .....		23.51
M 16600D	70; Kit Includes: (1) Cowl Seal & (10) Hood Bumpers .....		23.51
M 16600E	71/73; Kit Includes: (1) Cowl Seal & (8) Hood Bumpers .....		23.51

## Door to Body Weatherstrip

M 20530A	65/66; RH & LH, Includes Fasteners .....	Pair	19.82
M 20530B	67/68; RH & LH, Includes Fasteners .....	Pair	26.52
M 20530C	69/70; RH & LH, Includes Fasteners .....	Pair	30.25
M 20530D	71/73; RH & LH, Includes Fasteners .....	Pair	70.64
MSP 377163	65/68; Weatherstrip Retaining Pin .....	Each	.76
	See Page 125 For Attaching Parts Kit MHK 223.		
<b>M 20586</b>	<b>Hood Seal Retainer</b>		
M 20586A	67 .....	Each	.76
<b>M 20588</b>	<b>Door Window Seal • Rear Upper</b>		
M 20588A	65/66; (Coupe, Fastback & Convertible) Reproduction .....	Pair	9.59
M 20588B	67; Early .....	Pair	16.95
M 20588C	67/68 .....	Pair	9.95
	See Page 125 For Attaching Parts Kit MHK 56.		

# BODY WEATHERSTRIPPING

## Side Window & Door Rubber Kits

**M 21000A 65/66 Fastback.** Includes Rubber For: Vent Windows, Vent Window Division Bar, Vent Window Top Bumpers, Door Bumpers, Door Window Rear Seals, Around Door Weatherstrip & Roof Rail Weatherstrip ..... 121.15  
See Page 125 For Attaching Parts Kits MHK 56 & 207.

**M 21000B 65/66 Coupe.** Includes Rubber For: Vent Windows, Vent Window Division Bar, Vent Window Top Bumpers, Door Bumpers, Door Window Rear Seals, Around Door Weatherstrip, Roof Rail Weatherstrips, Quarter Window Verticle Weatherstrip & Quarter Window Seal..... 121.15  
See Page 125 For Attaching Parts Kits MHK 56 & 207.

**M 21000C 65/66 Convertible.** Includes Rubber For: Vent Windows, Vent Window Division Bar, Vent Window Top Bumpers, Door Bumpers, Door Window Rear Seals, Around Door Weatherstrip, Quarter Window Verticle Weatherstrip, Quarter Window Seal & Windshield Pillar Weatherstrip ..... 121.15  
See Page 125 For Attaching Parts Kits MHK 56 & 207.

**M 21000D 67/68 Fastback.** Includes Rubber For: Vent Windows, Seals In Front Of Vent Windows, Door Window Rear Seals, Door Bumpers, Around Door Weatherstrip & Roof Rail Weatherstrip ..... 124.18  
See Page 125 For Attaching Parts Kit MHK 56.

**M 21000E 67/68 Coupe.** Includes Rubber For: Vent Windows, Seals In Front Of Vent Windows, Door Bumpers, Door Window Rear Seals, Around Door Weatherstrip, Roof Rail Weatherstrips, Quarter Window Verticle Weatherstrip & Quarter Window Seals ..... 127.21  
See Page 125 For Attaching Parts Kit MHK 56.

**M 21000F 67/68 Convertible.** Includes Rubber For: Vent Windows, Seals In Front Of Vent Windows, Door Bumpers, Door Window Rear Seals, Around Door Weatherstrip, Quarter Window Verticle Weatherstrip, Quarter Window Seal & Windshield Pillar Weatherstrip ..... 124.18  
See Page 125 For Attaching Parts Kit MHK 56.

**M 21414/5 Door Glass Weatherstrip • Rear**  
M 21414A 69/70; RH, (Fastback) ..... 13.08  
M 21415A 69/70; LH, (Fastback)..... 13.08  
M 21414B 69; RH, (Coupe & Convertible) ..... 13.08  
M 21415B 69; LH, (Coupe & Convertible) ..... 13.08

**M 21448/9 Vent Window Weatherstrip**  
M 21448A 65/66; RH ..... 16.92  
M 21449A 65/66; LH..... 16.92  
M 21448B 67/68; RH ..... 19.95  
M 21449B 67/68; LH..... 19.95

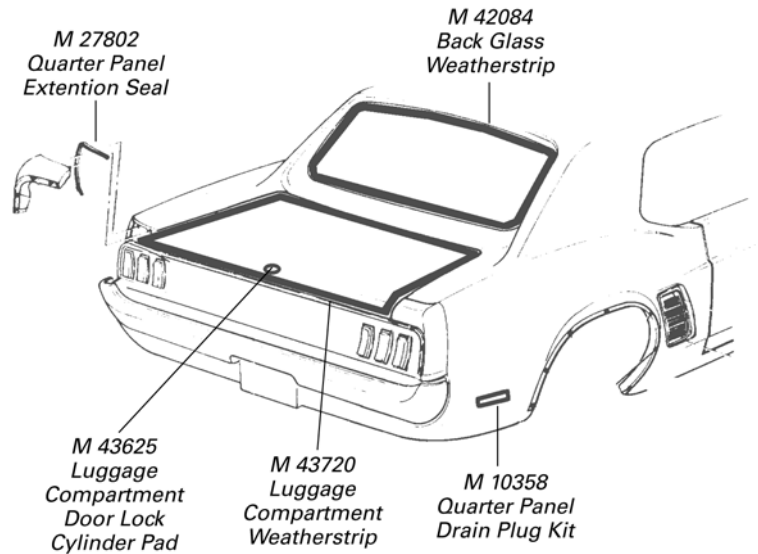
**M 21450 Vent Window Division Bar Weatherstrip**  
M 21450A 65/66; RH or LH ..... Each 8.52  
See Page 125 For Attaching Parts Kit MHK 207.

**M 21455 Top Belt Door Kit • Inside & Outside**  
M 21455A 65/66; 4 Piece Kit, Doors Only, (All Models) ..... 48.95  
M 21455B 67/68; 4 Piece Kit, Doors Only, (All Models) ..... 48.95  
M 21455C 69/70; 4 Piece Kit, Doors Only, (All Models) ..... 48.95

## Door Top at Belt Weatherstrip

**M 21458 Belt Kit - (Full Set) Doors & Quarter Windows, Top Inside/Outside**  
M 21458A 65/66; (Coupe & Convertible), 8 Piece Kit..... 68.95  
M 21458B 67/68; (Coupe), 8 Piece Kit..... 68.95  
M 21458C 67/68; (Convertible), 8 Piece Kit..... 68.95  
M 21458D 69/70; (Coupe), 8 Piece Kit..... 68.95  
M 21458E 71/73; (Coupe), 8 Piece Kit..... 74.95  
M 21458F 71/73; (Fastback), 8 Piece Kit..... 74.95  
M 21458G 71/73; (Convertible), 8 Piece Kit..... 74.95  
M 21458H 69/70; (Convertible) 8 Piece Kit..... 68.95

**M 21546 Verticle Door Glass Run • Hinge Side**  
M 21546A 67/68; RH & LH..... Pair 35.95



## Special Weatherstrip Adhesives



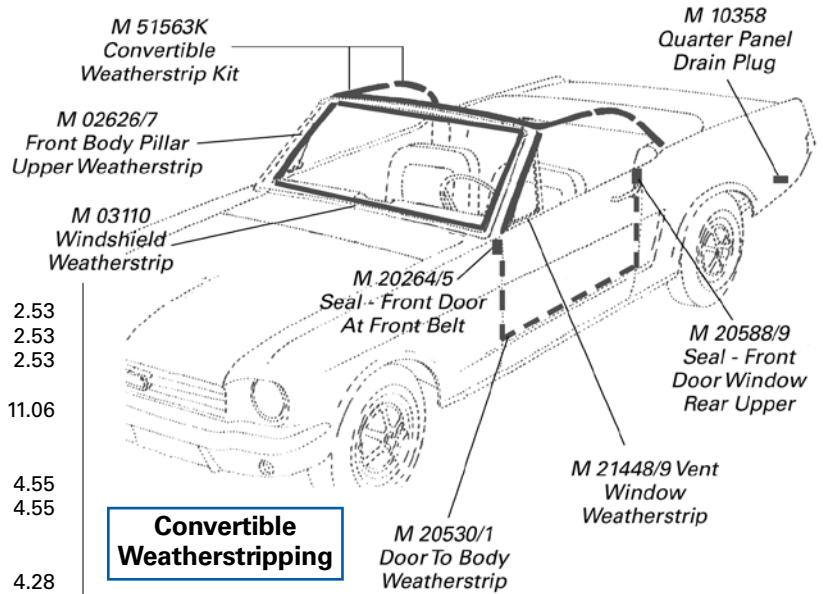
**Weatherstripping & Trim Adhesive**  
Install and repair trim/weatherstrip easily with this light-colored adhesive. By using this synthetic formula you can put loose weatherstrip in its place once again. Use also on new applications of weatherstrip or trim.

M 19552A Black Adhesive; 5 oz. Tube ..... 9.75  
M 19552B Light Adhesive; 5 oz. Tube..... 6.95



## Front of Vent Window to Door Seal

<b>M 22244 Clip, Roofrail Weatherstrip &amp; Window Guide</b>	
M 22244A 69; 2+2 & Coupe 4 Required.....	2.53
M 22244B 71/73; 2+2 & Coupe at Quarter 2 Required.....	2.53
M 22244C 71/73; Fits All at Door 2 Required.....	2.53
M 22332A 67/68;.....	Pair 11.06
<b>M 22428 Door Outside Handle Kit Pad</b>	
M 22428AK.....65/66 & 69/70, (4 Piece Kit)	4.55
M 22428BK.....67/68; 4-Piece Kit	4.55
<b>M 27802 Quarter Panel Extension Seal</b>	
M 27802A 65/73.....	Pair 4.28
<b>M 28182/3 Quarter Latch Pillar to Window Frame Seal</b>	
M 28182A 65/66; (Coupe & Convertible).....	Pair 10.66
M 28182B 67/68; (Coupe & Convertible).....	Pair 9.75
M 28182C 69/70; (Fastback).....	Pair 13.08
M 28182D 71/73; (Coupe & Convertible).....	Pair 16.11
M 28182E 69/70; (Coupe).....	Pair 18.13
<i>See Page 125 For Attaching Parts Kit MHK 56.</i>	
<b>M 30146/7 Quarter Window Weatherstrip • Front</b>	
M 30146A 65/68; RH, (Coupe).....	7.09
M 30147A 65/68; LH, (Coupe).....	7.09
M 30146B 65/68; RH, (Convertible).....	6.57
M 30147B 65/68; LH, (Convertible).....	6.57
M 30146C 71/73; RH, (Fastback).....	28.23
M 30146D 71/73; RH, (Coupe & Convertible).....	28.23
M 30147C 71/73; LH, (Fastback).....	28.23
M 30147D 71/73; (Coupe & Convertible).....	28.23
<b>M 42084 Back Glass Weatherstrip</b>	
M 42084A 65/68; (Coupe).....	23.95
M 42084B 65/66; (Fastback).....	24.95
M 42084C 69/70; (Coupe).....	27.22
M 42084D 71/73; (Coupe).....	33.28
M 42084E 67/68; (Fastback).....	34.95
M 42084F 69/70; (Fastback).....	28.95
M 42084G 71/73; (Fastback).....	36.36
<b>M 43625 Trunk Lock Cylinder Sleeve Pad</b>	
M 43625A 65/66.....	1.55
M 43625B 67/73; (From 10/24/66) With 4-Lug Cylinder.....	1.40
<b>M 43720 Trunk Lid Weatherstrip</b>	
M 43720A 65/70; (Coupe & Convertible).....	13.87
M 43720B 65/68; (Fastback).....	13.87
M 43720C 71/73.....	17.12
M 43720D 69/70; (Fastback).....	12.07
<b>M 44228 Rear Spoiler Gasket</b>	
M 44228A 69/73.....	Pair 8.03
<b>M 51222 Roof Side Rail Weatherstrip</b>	
M 51222A 65/66; RH & LH, (Fastback).....	Pair 46.41
M 51222B 67/68; RH & LH, (Fastback).....	Pair 53.45
M 51222C 69/70; RH & LH, (Fastback).....	Pair 78.70
M 51222D 65/66; RH & LH, (Coupe).....	Pair 21.37
M 51222E 67/68; RH & LH, (Coupe).....	Pair 26.21
M 51222F 69/70; RH & LH, (Coupe).....	Pair 45.40
M 51222G 71/73; RH & LH, (Except Convertible).....	Pair 68.50



<b>M 51325 Convertible Top Weatherstrip • Front</b>	
M 51325A 71/73.....	13.08
<b>M 53986 Convertible Top Weatherstrip • Front</b>	
M 53986A 65/68; Inc. Front Header Sec. & Front Portions Of Side Window.....	41.55

### Convertible Top Weatherstrip Kits

We have re-engineered our popular Convertible Top Weatherstrip Kit for 1965/68 Mustangs to fit better than ever! Each kit includes weatherstrip pieces as shown in illustration on page 9.

M 51563K 65/68; Extruded Reproduction of Original. Consists Of 5 Pieces & Attaching Hardware.....	Set	83.15
M 51563AK 69/70; Consists Of 5 Pieces & Attaching Hardware.....	Set	149.95
M 51563BK 71/73; Consists Of 7 Pieces & Attaching Hardware.....	Set	175.00
MSP 351320K..... 65/68; Convertible Top Seal Mounting Washer Set Correct Size & Thickness (Set of 16).....	Set	7.02
MSP 379361K 65/68; Convertible Top Seal Mounting Nut Set Zinc Plated, Exact Copy (Set of 16).....	Set	13.08

### Hardware Kits for Door & Window Section

MHK 207 Rivet, Vent Window Verticle W/S; 65/66, (Kit of 4).....	1.48
MHK 223 Plug Kit, Door End W/S; 65/68, (Kit of 2).....	1.80
MHK 295 Nuts, Convertible Top W/S; 65/68.....	18.50
MSP 377163 Pin, Door W/S; 65/66.....	Each .61

# BODY PANELS

## Front End Area

<b>M 17385</b>	<b>Front Bracket</b>		
	License Plate Holder		
M 17385A	69/70; (Except GT350/500)	Each	19.95
M 17385B	71/73	Each	18.45
<b>M 17626</b>	<b>Lower Front Valance Panel</b>		
M 17626A	69; (Except Shelby GT350/500)		
	Not used with F60-15 tires		81.35
M 17626B	70; (Except Shelby GT350/500)		
			81.35
M 17626C	71/72		131.25
M 17626D	73		121.15

\*Note: Refer to Parts Group #M 17939 for 65/68 Mustangs.

<b>M 17779</b>	<b>Filler Panel • Front Bumper</b>		
M 17779A	65/66; Upper	Each	33.15
M 17779B	67/68	Each	29.94
<b>M 17939</b>	<b>Stone Deflector • Lower Front</b>		
M 17939A	65/66; w/Park Lamp Holes		39.95
M 17939B	67/68; w/Park Lamp Holes		39.95

See Page 125 For Attaching Parts Kits MHK 99 & MHK 239. Note: Refer to Parts Group #M 17626 For 69/73 Cars.

<b>Headlamp Inner Panel Bracket</b>			
MPP 123L	64/66; LH	Each	22.17
MPP 123R	64/66; RH	Each	22.17

<b>M 5026</b>	<b>Front Cross Member</b>		
M 5026A	65/66; Tubular Brace	Each	72.95
M 5026B	67/68; Tubular Brace	Each	72.95

## Hood and Fender Area

<b>M 16005/6</b>	<b>Front Fenders*</b>		
M 16005A	65/66; RH	Each	159.95
M 16006A	65/66; LH	Each	159.95
M 16005B	67; RH	Each	171.65
M 16006B	67; LH	Each	171.65
M 16005C	68; RH	Each	189.95
M 16006C	68; LH	Each	189.95
M 16005D	69; RH		

(Exc. Shelby GT350/500 & Boss)

M 16006D	69; LH (Exc. Shelby GT350/500 & Boss)	Each	235.00
M 16005E	70; RH (Except F70X14 or F60X15 & Boss 429 & GT350/500)	Each	235.00
M 16006E	70; LH (Except F70X14 or F60X15 & Boss 429 & GT350/500)	Each	235.00
M 16005G	71/72; RH	Each	378.70
M 16006G	71/72; LH	Each	378.70
M 16005H	73; RH	Each	378.70
M 16006H	73; LH	Each	378.70

<b>MSP 359613</b>	65/66; Nut - Lower		
	Inside of Fender	Each	3.99

\*Note: Fenders Must Be Shipped by Truck Freight Collect. See Page 125 For Attaching Parts Kits MHK 21, 43, 94, 245, 246, 531 & 534.

<b>M 16138</b>	<b>Radiator Support</b>		
M 16138A	65/66	Each	135.00
M 16138B	67/68	Each	135.00
M 16138C	69	Each	145.00
M 16138D	70	Each	149.95
M 16138E	71/73	Each	165.00

<b>M 16257</b>	<b>Splash Shield Bracket</b>		
M 16257A	67/70; Front fender, Rear splash shield	Pair	5.45

### Firewall Panel

M 01610A	65/66 All Bodys But Must Be Trimed to Fit the Convertible	Each	193.95
M 01610B	67/68 All Bodys But Must Be Trimed to Fit the Convertible	Each	232.95
M 01610C	69/70 All Bodys	Each	237.95

Note: These parts are large and require additional shipping.

### Air Vent Assembly

M 01935A	65/66; LH	Each	98.95
M 01935B	67/68; LH	Each	98.95
M 01934C	69/70; RH	Each	135.00
M 01935C	69/70; LH	Each	135.00

<b>M 16612</b>	<b>Hood*</b>		
M 16612A	65/66; (Exc. GT350)	Each	199.95
M 16612B	67/68; (Exc. GT350/500 & cars w/o hood mtd. indicators	Each	210.00
M 16612C	67/68; (Exc. GT350/500) Cutout for hood mounted indicators	Each	220.00
M 16612D	69/70; Standard Hood	Each	335.00
M 16612E	71/73; NASA	Each	395.00
M 16612AF	65/66; Fiberglass, Steel Reinforced, Scoop Style	Each	469.95
M 16612CF	67/68; Fiberglass, Steel Reinforced, Scoop Style	Each	469.95

\*Shipped by Truck Freight Collect.

<b>M 16720</b>	<b>Hood Scoop Emblem</b>		
M 16720A	69; "Cobra Jet"	Each	25.20
<b>Lower Rear Corner of Front Fender</b>			
<i>Includes rear edge to form door opening. Extends to 1 1/2" above horizontal body line.</i>			
MPP 104L	65/66; LH	Each	45.00
MPP 104R	65/66; RH	Each	45.00
MPP 204L	67/68; LH	Each	37.32
MPP 204R	67/68; RH	Each	37.32

<b>Inner Panel Lower Rear Corner of Front Fender</b>			
MPP 104AL	65/66; LH	Each	26.95
MPP 104AR	65/66; RH	Each	26.95
MPP 204AL	67/68; LH	Each	26.95
MPP 204AR	67/68; RH	Each	26.95

<b>Shock Tower</b>			
Stamped heavy-gauge.			
MPP 124L	65/66; LH	Each	75.70
MPP 124R	65/66; RH	Each	75.70
MPP 124AR	65/66; RH; Complete Tower Assembly	Each	129.95
MPP 124AL	65/66; LH; Complete Tower Assembly	Each	129.95
MPP 224AR	67/68; RH; Complete Tower Assembly	Each	129.95
MPP 224AL	67/68; LH; Complete Tower Assembly	Each	129.95
MPP 324AR	69/70; RH; Complete Tower Assembly	Each	129.95
MPP 324AL	69/70; LH; Complete Tower Assembly	Each	129.95

### Cowl Grille Panel Assembly

M 02010F	65/66; Includes Top & Bottom Panels	Each	375.95
M 02010G	67/68; Includes Top & Bottom Panels	Each	375.95
M 02010H	69/70; Includes Top & Bottom Panels	Each	375.95

### Cowl Side Panel

M 02043B	67/68; RH	Each	38.95
M 02044B	67/68; LH	Each	38.95
M 02043C	69/70; Outer RH	Each	40.95
M 02044C	69/70; Outer LH	Each	40.95

### Hard Top Roof Brace

M 03408A	65/68; Front Brace, CPE & Fastback	Each	76.95
M 03408B	69/70; Front Brace, Fastback	Each	76.95

<b>Outer Shock Tower</b>			
MPP 125L	65/66; LH	Each	42.79
MPP 125R	65/66; RH	Each	42.79
Complete Front & Rear Fender Apron			
MPP 127CR	65/66; RH	Each	109.95
MPP 127CL	65/66; LH	Each	109.95

MPP 127CR & 127CL Do not include Tower Assembly

<b>Fender Apron Rear Section</b>			
MPP 127R	65/66; RH	Each	30.00
MPP 127L	65/66; LH	Each	30.00
MPP 227R	67/68; RH	Each	30.00
MPP 227L	67/68; LH	Each	30.00

<b>Fender Apron Rear Section Extension</b>			
MPP 128R	65/66; RH	Each	9.95
MPP 128L	65/66; LH	Each	9.95
MPP 328R	69/70; RH	Each	12.95
MPP 328L	69/70; LH	Each	12.95

<b>Complete Fender Apron &amp; Tower Assembly</b>			
MPP 129R	65/66; RH	Each	632.95
MPP 129L	65/66; LH	Each	632.95
MPP 229R	67/68; RH	Each	632.95
MPP 229L	67/68; LH	Each	632.95
MPP 329R	69/70; RH	Each	632.95
MPP 329L	69/70; LH	Each	632.95

The complete apron & tower includes, front & rear aprons with the inner tower attached. This unit also includes the outer tower bracket and hardware. Due to the package size, additional freight is required!!

<b>Body Panels • Front End Area Radiator Support Cross Member</b>			
MPP 133	65/66	Each	33.95
MPP 233	67/70	Each	33.95

<b>Front Fender Apron • Rear Section</b>			
<i>Includes mounts for hood hinges.</i>			
MPP 327L	69/70; LH	Each	68.95
MPP 327R	69/70; RH	Each	68.95
MPP 427L	71/73; LH	Each	63.58
MPP 427R	71/73; RH	Each	63.58

<b>Fender Apron</b>			
MPP 116L	65/66; LH	Each	27.22
MPP 116R	65/66; RH	Each	27.22
MPP 216L	67/68; LH	Each	29.24
MPP 216R	67/68; RH	Each	43.38
MPP 316R	69/70; RH	Each	59.95

<b>Cowl Vent Repair Panel</b>			
MPP 136R	65/68; RH	Each	73.68
MPP 136L	65/68; LH	Each	73.68

<b>Hood Scoops</b>			
MSS 106	65/66; GT350 Style Bond-On Type	Each	59.95
MSS 107	69/70; Mach I	Each	141.35

# BODY PANELS

## Door and Rocker Area

### Rocker Panel Moulding

M 10176A	65/66; RH.....	50.29
M 10177A	65/66; LH.....	50.29
M 10176B	67/68; RH.....	46.00
M 10177B	67/68; LH.....	46.00
M 10176C	69; RH.....	56.00
M 10177C	69; LH.....	56.00

See Page 120 for Attaching Parts Kit MHK 252.

### M 10128/9 Outer Rocker Panel

M 10128A	65/68; RH.....	187.81
M 10129A	65/68; LH.....	186.80

### Lower Door Skin

Wraps around front, back and bottom edges. Features original contour.

MPP 110L	65/66; LH; 7 1/2" high.....	65.85
MPP 110R	65/66; RH; 7 1/2" high.....	65.85

### 10176/7 Rocker Panel

M 10176D	71/73; RH.....	Each	55.50
M 10177D	71/73; LH.....	Each	55.50

### M 10182 Rocker Panel Moulding Clip Sets

M 10182E	65/66; RH or LH.....	Each	13.95
M 10182F	67/68; RH.....	Set	13.95
M 10182G	67/68; LH.....	Set	13.95

### M 20124/5 Door Shell

M 20124A	65/66; RH.....	Each	295.00
M 20125A	65/66; LH.....	Each	295.00
M 20124B	67/68; RH.....	Each	395.00
M 20125B	67/68; LH.....	Each	395.00
M 20124C	69/70; RH.....	Each	395.00
M 20125C	69/70; LH.....	Each	395.00

### M 20200/1 Door Skins • Outside

M 20200A	65/66; RH.....	Each	81.35
M 20201A	65/66; LH.....	Each	81.35
M 20200B	67/68; RH.....	Each	81.35
M 20201B	67/68; LH.....	Each	81.35
M 20200C	69/70; RH.....	Each	149.43
M 20201C	69/70; LH.....	Each	149.43

### Inner Rocker Panel

MPP 112L	65/68; LH; Renews structural strength (Conv.).....	Each	109.95
MPP 112R	65/68; RH; Renews structural strength (Conv.).....	Each	109.95

## Floor Areas

### Front Floor Pan Support Brace

M 10692A	65/66.....	Each	68.95
M 10692B	67/68.....	Each	68.95

### Frame Rails

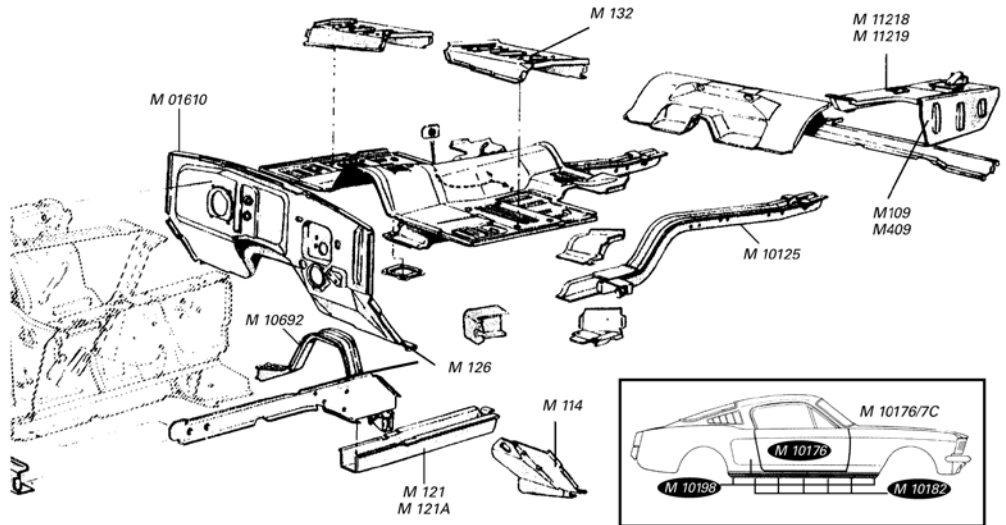
MPP 103AL	65/70; LH, Rear.....	Each	49.85
MPP 103AR	65/70; RH, Rear.....	Each	49.85

### Complete Floor Plan

MPP 107C	65/68; Convertible....	Each	565.95
MPP 107D	65/68; Coupe.....	Each	565.95

Includes front, rear and under the rear seat pans on the tunnel.

Note: These floor pans are shipped by truck freight, direct from the manufacturer and is sent freight collect. Parts must be paid for by credit card or funds in advance, NO COD'S.



### Floor Pans

MPP 107CR	65/68; RH; Full Front and Rear.....	Each	63.95
MPP 107CL	65/68; LH; Full Front and Rear.....	Each	63.95
MPP 407CR	71/73; RH; Full Front and Rear.....	Each	99.95
MPP 407CL	71/73; LH; Full Front and Rear.....	Each	99.95

### Long Front Floor Pan\*

MPP 107L	65/68; LH.....	Each	49.95
MPP 107R	65/68; RH.....	Each	49.95

\*Will Also Work On '69-73 Mustangs.

### Complete Floor and Trunk Pan Assembly

MPP 107CCT	65/68; Convertible, Includes Inner Rocker and Frame Rails.....	2,705.00
MPP 107DCT	65/68; Coupe, Includes Inner Rocker and Frame Rails.....	2,705.00

Note: This part must be shipped by truck and will require additional freight costs.

### Rear Floor Pan\*

MPP 108L	65/68; LH.....	Each	41.77
MPP 108R	65/68; RH.....	Each	41.77

All floor panels have seat holes and cleanout holes stamped out completely, like originals.

\*Will Also Work On '69-73 Mustangs.

### Drain Hole Cover

MPP 111	65/70.....	Each	2.02
---------	------------	------	------

See Page 120 For Attaching Parts Kit MHK 198.

### Torque Box

MPP 114L	65/68; LH, [Conv. Only].....	Each	74.95
MPP 114R	65/68; RH, [Conv. Only].....	Each	74.95
MPP 114AL	67/70; Coupe/Fastback LH.....	Each	75.25
MPP 114AR	67/70; Coupe/Fastback RH.....	Each	75.25

### Under Floor Reinforcement Pans

MPP 120L	65/68; LH, Conv.....	Each	43.38
MPP 120R	65/68; RH, Conv.....	Each	43.38

### Inner Floor Frame Support

MPP 121L	65/68; (Coupe & Fastback) RH or LH.....	Each	34.95
MPP 121AL	65/68; (Conv.).....	Each	37.95

### Floor-to-Firewall Extension

MPP 126L	65/68; LH.....	Each	38.51
MPP 126R	65/68; RH.....	Each	38.51

### Rear Floor Pan Extension

Fits Coupe & will work on Convertible with slight trimming where pan fits at wheelhouse.

MPP 131L	65/68; LH, Coupe & Conv.....	33.28
MPP 131R	65/68; RH, Coupe & Conv.....	33.28

### Seat Platform

MPP 132L	65/68; LH, (Coupe).....	Each	46.41
MPP 132R	65/68; RH, (Coupe)....	Each	46.41
MPP 132A	65/68; Convertible (1) Piece Assembly.....	105.95	
MPP 132B	65/68; Coupe & Fastback (1) Piece Assembly.....	140.95	
MPP 332R	69/70 RH.....	Each	63.95
MPP 332L	69/70 LH.....	Each	63.95

## Roof Area

### Roof Panel

M 50202A	65/66; Fastback.....	Each	335.00
M 50202C	67/68; Fastback.....	Each	335.00
M 50202E	69/70; Fastback.....	Each	349.95

### Drip Rail

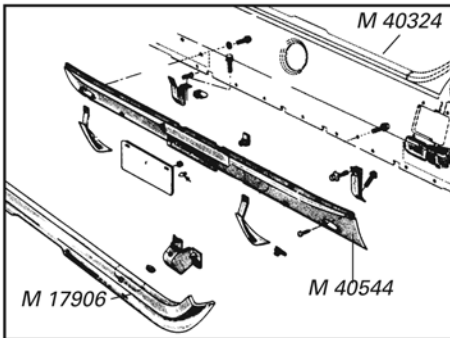
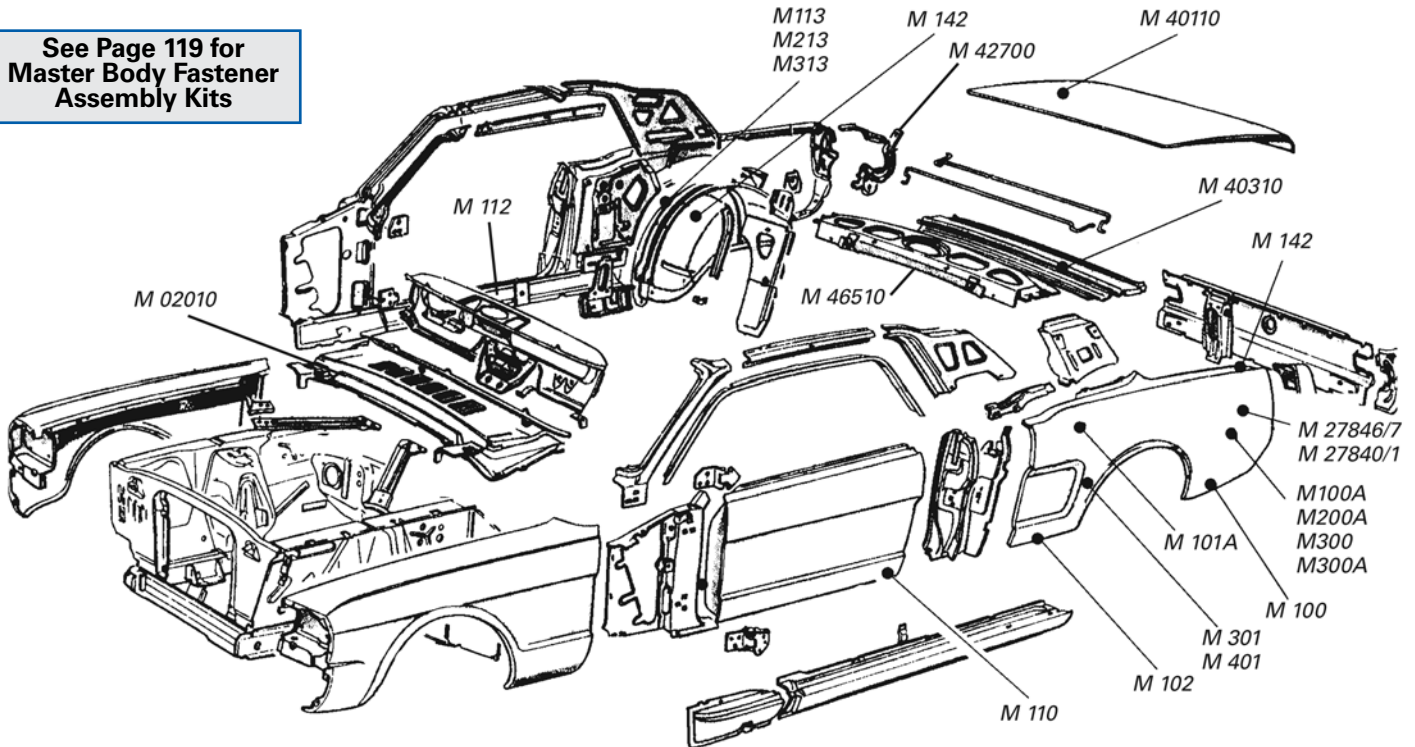
M 51700C	67/68; Fastback, These are the steel rails that are welded to the edge of the roof. The original ones are generally rusted and need to be replaced.....	Pair	110.50
----------	---	------	--------

### Headliner Pad

MHL 65PDC	65/68; Coupe.....	Each	26.95
MHL 65PDF	65/68; Fastback.....	Each	26.95

# BODY PANELS

See Page 119 for  
Master Body Fastener  
Assembly Kits



## Quarter Panel Extensions

M 27702A	65/66; RH	Each	59.95
M 27703A	65/66; LH	Each	59.95
M 27702B	67/68; RH, (Coupe & Conv., exc. GT/CS)	Each	59.95
M 27703B	67/68; LH, (Coupe & Conv., exc. GT/CS)	Each	59.95
M 27702C	67/68; 2+2 RH	Each	69.95
M 27703C	67/68; 2+2 LH	Each	69.95
M 28010A	69; RH; (Fastback)	Each	131.25
M 28011A	69; LH; (Fastback)	Each	131.25
M 28010B	70; RH; (Fastback)	Each	131.25
M 28011B	70; LH; (Fastback)	Each	131.25

## Quarter Panel Assembly\*

M 27840A	67/68; RH Skin, Less Depression	Each	78.70
M 27841A	67/68; LH Skin, Less Depression	Each	78.70
M 27840B	70; RH Skin, (Conv.)	Each	126.20
M 27841B	70; LH Skin, (Conv.)	Each	126.20
M 27840D	71/73; RH (Fastback) Outer Shell Only	Each	83.33
M 27841D	71/73; LH (Fastback) Outer Shell Only	Each	83.33
M 27840E	71/73; RH (Coupe & Conv.) Outer Shell Only	Each	119.95
M 27841E	71/73; LH (Coupe & Conv.) Outer Shell Only	Each	119.95
M 27846A	65/66; RH (Coupe)	Each	137.31
M 27847A	65/66; LH (Coupe)	Each	137.31
M 27846B	65/66; RH; Fastback, with Attached Sail	Each	475.95
M 27847B	65/66; LH; Fastback, with Attached Sail	Each	475.95
M 27846C	65/66; RH (Convertible)	Each	137.31
M 27847C	65/66; LH (Convertible)	Each	137.31
M 27846D	65/66; RH (All) Skin only	Each	80.27
M 27847D	65/66; LH (All) Skin only	Each	80.27
M 27846E	67; RH; (Fastback)	Each	492.95
M 27847E	67; LH; (Fastback)	Each	492.95
M 27846F	69; RH (Coupe & Conv.)	Each	131.25
M 27847F	69; LH (Coupe & Conv.)	Each	131.25
M 28010C	71/72; RH (Coupe)	Each	99.95
M 28011C	71/72; LH (Coupe)	Each	99.95
M 28010D	71/72; RH (Fastback)	Each	144.95
M 28011D	71/72; LH (Fastback)	Each	144.95

\*Note: All Panels Must Be Shipped By Truck Freight Collect.

## M 27886 Quarter Panel Inner Rear Wheelhouse

M 27886A	65/70; RH	Each	55.50
M 27887B	65/70; LH	Each	55.50

\*Note: See Part Numbers MPP 113, 213 & 313  
Page 104 For Outer Wheelhouse

## Lower Rear Quarter Panel

Original contour on back, bottom and wheel opening. Heavier gauge steel than factory.

MPP 100AL	65/66; LH; 12" Tall	Each	37.33
MPP 100AR	65/66; RH; 12" Tall	Each	37.33
MPP 200L	67/68; LH	Each	32.50
MPP 200R	67/68; RH	Each	32.50
MPP 300L	69/70; LH; 13 1/2" Tall (Coupe or Convertible)	Each	59.95
MPP 300R	69/70; RH; 13 1/2" Tall (Coupe or Convertible)	Each	59.95
MPP 300AL	69/70; LH; 13 1/2" Tall (Fastback)	Each	55.00
MPP 300AR	69/70; RH; 13 1/2" Tall (Fastback)	Each	55.00
MPP 400L	71/73; LH; 17 1/2" Tall	Each	59.95
MPP 400R	71/73; RH; 17 1/2" Tall	Each	59.95

## Lower Panel in Front of Rear Wheel

Lower portion of wheel opening with bottom and front edge included.

MPP 102L	65/66; LH	Each	23.50
MPP 102R	65/66; RH	Each	23.50

## Inner Panel • Lower Rear Corner

MPP 109L	65/70; LH	Each	14.65
MPP 109R	65/70; RH	Each	14.65
MPP 409L	71/73; LH	Each	17.12
MPP 409R	71/73; RH	Each	17.12

## Side Scoops

MSS 101	65/66; As on 66 GT350	Each	19.95
MSS 102PR	67/68; Lower GT/CS & GT350/500	Pair	90.85
MSS 103PR	67/68; Upper, GT350/500	Pair	199.00
MSS 104PR	69/70; GT350/500 (Conv.)	Pair	146.45
MSS 105PR	69/70; GT350/500 (Fastback)	Pair	146.45

# BODY PANELS

## Trunk and Rear Body Area

**M 11160 Center Floor Pan**  
 M 11160A 65/70; Transition Panel, Fits Between the Trunk and the Rear Seat Area. Includes the Shock Mounts ..... 284.82

**M 27886 Quarter Panel Inner Rear Wheelhouse**  
 M 27886A 65/70; RH ..... Each 55.50  
 M 27887B 65/70; LH ..... Each 55.50  
*\*Note: See Part Numbers MPP 113, 213 & 313 Page 91 For Outer Wheelhouse*

**M 40110 Luggage Compartment Door**  
 M 40110A 67/68; (Coupe & Convertible - Except GT/CS & GT350/500) ..... 181.75  
 M 40110B ..... 146.45  
 M 40110C 65/66; (Fastback) ..... 165.00  
 M 40110D 65/66; (Coupe & Convertible) ..... 165.00  
 M 40110E 69/70; (Fastback) ..... 181.75  
*See Page 125 For Attaching Parts Kits MHK 165 & 166*

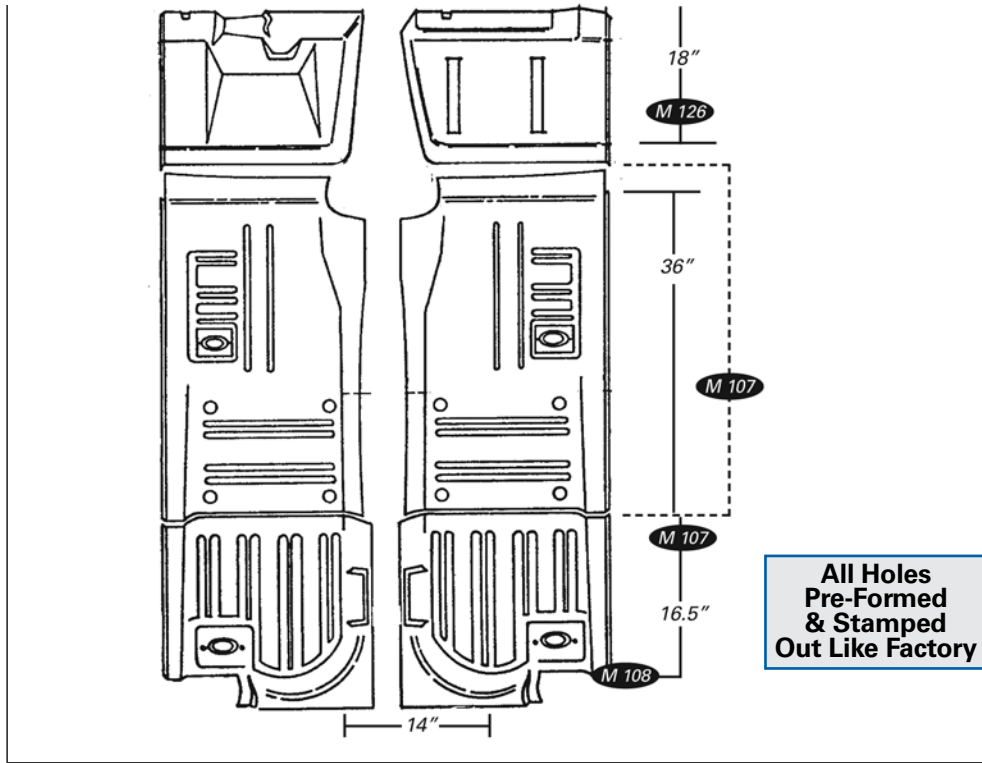
**M 40310 Behind Rear Window Panel**  
 M 40310A 65/66; (Convertible Only) ... 57.95  
 M 40310B 67/68; Fastback ..... 74.69  
 M 40310C 67/68; Coupe ..... 99.95  
 M 40310E 65/66; Coupe ..... 57.95

**M 40324 Tail Lamp Panel**  
 M 40320A 69; (Except GT350/500) ..... 149.95  
 M 40320B 70; (Except GT350/500) Less Moulding Holes ..... 119.00  
 M 40320C 71/73 ..... 148.95

**M 40324 Tail Lamp Panel**  
 M 40324A 65/66 ..... 71.60  
 M 40324B 67/68; Outer Panel (Exc. GT/CS & Shelby) Inner Panel For GT/CS & Shelby must be trimmed to fit Shelby-Style tail lamps..... 65.60  
 M 40324C 68; GT California Special Designed for the Sequential Lamps..... 225.45

**M 40544 Lower Back Panel Extension**  
 M 40544A 65/66; Single Exhaust With Backup Lamp Holes .. 48.50  
 M 40544B 65/66; Single Exhaust Without Backup Lamp Holes ..... 48.50  
 M 40544C 65/66; Dual Exhaust With Backup Lamp Holes & With Exhaust Pipe Holes 48.50  
*\*Note: For Exhaust Pipe Moulding See Part No. M 5C299.*

M 40544D 65/66; Dual Exhaust Without Backup Lamp Holes & With Exhaust Pipe Holes 48.50  
*\*Note: For Exhaust Pipe Moulding See Part No. M 5C299.*  
 M 40544E 67/68; Single Exhaust ..... 48.50  
 M 40544F 67/68; Dual Exhaust ..... 48.50  
 M 40544G 69/70; Without Exhaust Opening For GT350/500; Cut Opening For Exhaust .. 59.95  
 M 40544H 69/70; With Exhaust Opening ..... 59.95



M 40544J 71/73; Standard, No Holes ..... 74.95  
 M 40544K 71/73; With Dual Exhaust Holes ..... 74.95  
*See Page 125 For Attaching Parts Kits MHK 113 & MHK 146.*

**M 42700 Trunk Lid Hinge**  
 M 42700BK 65/66; Fastback ..... Pair 120.25  
 M 42700CK 67/68 ..... Pair 120.25  
 M 42700DK 69/70 ..... Pair 145.30

**M 46510 Trunk Panel Brace**  
 M 46510B 67/68; Fastback ..... Each 255.50  
*Note: This part must be shipped by truck and will require additional freight cost.*

**M 46610 Trunk Divider and Package Shelf**  
 M 46610A 65/68; Coupe ..... Each 295.95  
*Note: This part must be shipped by truck and will require additional freight cost.*

**M 10125-6 Frame Rails**  
 M 10125A 65/69; RH; Convertible, Full Rail ..... 225.45  
 M 10126A 65/69; LH; Convertible, Full Rail ..... 225.45  
 M 10125B 65/68; RH; Coupe & Fastback Full Rail ..... 245.95  
 M 10126B 65/68; LH; Coupe & Fastback Full Rail ..... 245.95

**M 10780 Trunk Floor Cross Brace**  
 M 10780B 65/70; Behind Gas Tank ..... 21.37

**M 11218 Trunk Floor Pan**  
 M 11218A 65/70; RH ..... 24.95  
 M 11219A 65/70; LH ..... 24.95

**Trunk Lower Rain Gutter**  
 MPP 142L 65/66; LH; Coupe only Each 23.95  
 MPP 142R 65/66; RH; Coupe only Each 23.95  
 MPP 242L 67/68; LH; Coupe only Each 30.25  
 MPP 242R 67/68; RH; Coupe only Each 30.25

**Trunk Floor**  
 MPP 438A 71/73; 54" x 31" ..... 169.95

### Hardware Kits for Door & Window Section

MHK 21 Bolt • Fender, Black, Disc Washer (Kit of 12) ..... 10.48	MHK 271 Bolt Kit • Shock Tower 65/66 (Kit of 6) ..... 13.05
MHK 94 Fender Nut & Bolt Kit (12 of each) ..... 18.19	MHK 272 Bolt Kit • Shock Tower 67/73 (Kit of 6) ..... 13.05
MHK 113 Bolt Kit • Rear Valance End (Kit of 2) ..... 3.47	MHK 531 Fender Bolt Kit • Black, Star Washer '65, (Kit of 12) ..... 12.25
MHK 146 Screw Kit • Rear Valance (Kit of 11) ..... 9.19	MHK 534 Fender Bolt Kit • Gold Disc Washer, 71/72, (Kit of 12) ..... 13.05
MHK 239 Mounting Kit • Front Valance (Kit of 24 Pieces) ..... 18.19	
MHK 270 Nut Kit • Shock Tower, (Kit of 6) ..... 5.33	

# HARDWARE & ATTACHING PARTS

MSP 74274	Clip • Window Regulator; Holds window regulator arm to the scissors assembly.....	Each	.96
MSP 97474	Clip • Z-bar Pivot, 67/70, Big Block.....	Each	1.02
MSP 350786	Clip • Gas Pedal Bolt; 65/68.....	Each	.96
MSP 351320K	Conv. Top Seal Mounting Washers • Correct size & thickness 65/68 (Set of 16) .....	Set	7.02
MSP 351517	Washer • Flat Felt; 65/70, Used with Part Number 7528 .....	Each	1.25
MSP 353577	Barrel Nut • To retain replacement 16228 & 16229, Large Pin.....	Each	.38
MSP 354299	Nut • Battery Bolt, 67/73.....	Each	.51
MSP 356590	Washer • Std. Shifter Bolt, 65/68.....	Each	.40
MSP 358979	Felt Washer • 67/70, 390, 428 & 429 Use With Equalizer Bar Brackets Part Numbers 7507 & 7A531.....	Each	1.28
MSP 359274K	Convertible Rear Belt Moulding Boot Snap Stud Kit 65/66 • Includes: (17) Snap Studs & Captive Nut Retainers .....	Set	14.09
MSP 359275	Snap Studs • Quarter Trim, 65/68 Convertible, (Set of 6).....	Set	9.04
MSP 359613	Nut • Lower Inside Fender Nut, 65/66.....	Each	3.99
MSP 359972	Spacer • Back-Up Lamp Housing Bolt, 65/66, (Set Of 4).....	Set	6.67
MSP 370235	Pin • Power Steering Control Valve Spool Travel Regulator (Use With Part #3C560).....	Each	.91
MSP 372047	Clip • Conv. Top Control Wire Loom, (5 Required).....	Each	3.37
MSP 372302	Clip • For use on the following looms: Trunk, Tail Lamp, Dome Lamp & Hood Turn Signal .....	Each	.61
MSP 372850K	Clip Set • Defroster Duct, 65/66 .....	Each	1.97
MSP 375474	Crush Nut • Power Steering, 65/70, (2 Required) .....	Each	8.30
MSP 375480	Barrel Nut; Holds "260" & "289" orn. on fender; 65/66.....	Each	.40
MSP 376642	Speed Nut • Dash Panel, 67/68;.....	Set	9.04
MSP 376913	Clip • Windshield Washer Hose; 65/66, (2 Required) .....	Each	1.15
MSP 376914	Plastic Wrap • To Attach Wire Looms Under Hood & Trunk.....	Each	.65
MSP 377163	Pin • For 65/66 Door Weatherstrip .....	Each	.61
MSP 377366	Grommet • Leaf Spring Access Hole; 67/73 .....	Each	1.55
MSP 377901K	Plugs • Seat Meeting Access Hole, 65/68, (Set of 8).....	Set	8.52
MSP 377936	Grommet • Inner Frame Rail & Center Cowl, 67/70 .....	Each	1.34
MSP 378362	Barrel Nut • (Small) 65/68, For Hood Letters, Fender Ornament .....	Each	.38
MSP 378428	Screw • Striker Plate; 65/70.....	Each	1.62
MSP 378685	Fender to Cowl Bolt; 65/66.....	Each	2.95
MSP 378897	Clip • Heater Control Bracket.....	Each	1.77
MSP 378921	Stud • Exhaust Manifold to Pipe, 65/73.....	Each	5.75
MSP 379061	Clip • Door Speaker/Courtesy Lamp Loom, 65/66 (6 Required).....	Each	.61
MSP 379361K	Convertible Top Seal Mounting Nuts • Zinc plated, exact copy 65/68 (Set of 16) .....	Set	13.08
MSP 379818	Bolt • Standard Shift Lever, 65/68 .....	Each	6.82
MSP 379944K	Bumper Guard Pad Set • 65/66; (Set Of 4).....	Set	4.04
MSP 379998K	Bushings • Standard Shift Lever, 65/73 (Set of 2).....	Set	5.68
MSP 380348	Conv. Top Latch Handle Truss Screw • 65/66.....	Each	7.65
MSP 380369	Bumper • Glove Box, 67/70.....	Each	2.02
MSP 380478	Bumper • Firewall to Hood, 69/70 - (2 Required) Bumper • Firewall to Hood, 71/73 - (3 Required).....	Each	1.52
MSP 380503	Gas Pedal Screw, 65/70 .....	Each	4.02
MSP 381571	Screw • Door Handle, Self-Tapping Oval Head #8; 32 x 5/8" 67 .....	Each	4.03
MSP 381898	Grommet • For PCV in Oil Cap, 68/73.....	Each	1.52

## Restoration Parts & Accessories Catalogs



### 1955-57 Thunderbird

Our "Little Bird" Parts & Accessories Catalog features more parts, photos and illustrations than ever before. We continue to offer the finest quality selection of parts and upholstery in the industry. If you are looking for that special part, you need this catalog!

TPL 55-57 Thunderbird..... Free

### 1958-66 Thunderbird

We have combined our 58-60 and 61-66 Parts & Accessories Catalogs into one new book with many new parts and illustrations. Ask for our latest catalog for the 'SquareBird' and 'Big-Bird' Thunderbirds.

BPL 58-66 Thunderbird..... Free

### 1954-57 Passenger Cars

A large inventory of quality parts at outstanding prices is what you'll find in our Ford Passenger Car Catalog.

PPL 54-57 Passenger Cars ..... Free

## Master Body Fastener Assembly Kits

Our Master Body Fastener Assembly Kits include all necessary hardware for mounting key Mustang trim and body panels. The following is a listing for the 1967 Mustang: Battery Tray, Bumper Guards (Front & Rear), Door Hinges, Fenders, Fender Splash Shields, Floorboard Hole Covers, Front Grille, Front Grille Support, Headlamp Door & Housing, Hood & Hood Hinges, Hood Bumper, Hood Latch & Catch, Quarter Panel Extension, Stone Deflector, Suspension Bumper Bracket, Trunk Latch & Striker, Trunk Lid & Hinges, Front & Rear Valance. Some kits vary in the number of items included for the particular year.

MBK 65	65.....	191.85	MBK 69	69.....	181.75
MBK 66	66.....	191.85	MBK 70	70.....	181.75
MBK 67	67.....	191.85	MBK 71	71.....	181.75
MBK 68	68.....	191.85	MBK 72	72/73.....	181.75



# HARDWARE & ATTACHING PARTS

## The Following Kits Are Either Original Ford or Identical Substitutes or Reproductions

MHK 6	Screw Kit, 65; Rally-Pac Mounting, Anti-theft-proof Contains: (2) screws with tool .....	5.33	MHK 154	Screw Kit, Washer Pump Mounting; 65/66, (kit of 3) .....	1.67
MHK 7	Screw Kit, 66; Rally-Pac Mounting, Anti-theft-proof Contains: (2) screws with tool .....	5.33	MHK 157	Screw Kit, Head Lamp Mounting; 65/66, (kit of 6) .....	2.63
MHK 9	Screw Kit, 65/66; Convertible Interior Trim with screw location identified .....	14.65	MHK 158	Screw Kit, Door Handle, Inside; chrome; 65/66, (kit of 4) .....	4.75
MHK 9A	Screw Kit, 67/68; Convertible Interior Trim .....	13.11	MHK 159	Bolt Kit, Hood Latch & Catch; 65/66, (kit of 11) .....	8.94
MHK 9B	Screw Kit, 69/70; Convertible Interior Trim .....	14.39	MHK 160	Bolt & Nut Kit, Horn Mounting; 65/73, (kit of 2 each) .....	3.79
MHK 10	Screw Kit, 65/66; Coupe Interior Trim with screw location identified .....	14.65	MHK 161	Screw Kit, Qtr. Window Handle; 65/68 (kit of 2 each) .....	3.08
MHK 10A	Screw Kit, 67/68; Coupe Interior Trim .....	13.11	MHK 163	Bolt Kit, Rear Bumper Bracket; 65/70, (kit of 2) .....	2.51
MHK 10B	Screw Kit, 69/70; Coupe Interior Trim .....	14.39	MHK 165	Bumper Kit, Trunk Lid, 2 + 2 Trunk Access Door; 65/66, (kit of 2) .....	4.75
MHK 11	Screw Kit, 65/66; Fastback Interior Trim with screw location identified .....	15.93	MHK 166	Bumper Kit, Trunk Lid; 67/68, (kit of 2) .....	4.75
MHK 11A	Screw Kit, 67/68; Fastback Interior Trim .....	13.11	MHK 175	Screw Kit, Coat Hook; 65/67, (kit of 2) .....	1.48
MHK 11B	Screw Kit, 69/70; Fastback Interior Trim .....	14.39	MHK 176	Screw Kit, Speaker Grille; (kit of 2) .....	1.48
MHK 12	Nut Kit, 65/66; Tail Lamp Body (kit of 8) .....	6.01	MHK 177	Screw Kit, Rear Weatherstrip - Fastback; 65/66, (kit of 7) .....	3.47
MHK 13	Bumper Bolt Kit; front & rear, 65/68 .....	21.59	MHK 178	Screw Kit, Vent & Side Panel - Fastback, 65/66, (kit of 10) .....	4.75
MHK 13B	Bumper Bolt; (small) with nuts, 2 each, 65/68 .....	2.76	MHK 179	Screw Kit, Headliner & Wrap Band - Fstbk., 65/66, (kit of 10) .....	4.75
MHK 14	Screws, Tail Lamp; chrome; (kit of 8), 65/66 .....	3.21	MHK 180	Screw Kit, Upper Weatherstrip Trim - Conv., 65/66, (kit of 6) .....	3.08
MHK 15	Screws, Head Lamp; stainless; (kit of 8), 65/66 .....	7.91	MHK 181	Screw Kit, Glove Box Door; 65/66, (set of 6) .....	3.47
MHK 16	Repair Manual • Heater, 65/68 .....	4.05	MHK 182	Screw Kit, Lower Sill Plate, 65/68 .....	2.18
MHK 19	Screw Kit, Pony Interior Trim Kit, 65/66 .....	14.72	MHK 183	Rubber Bumper, Rear Licence Plate; 65/68 (kit of 2) .....	2.18
MHK 20	Screw Kit, Console Mounting; 65/66, (set of 6) .....	3.21	MHK 184	Bumper, Glove Box, 65/66 & 71/73, 67/70 Licence Plate Bumper (kit of 2) .....	2.18
MHK 20R	Screw Kit, Console Mounting; 65/66, (kit of 4) .....	2.18	MHK 185	Bumper, Ash Tray; 65/66, (kit of 2) .....	2.18
MHK 21	Fender Bolt, black, disc washer; 65/68, (kit of 12) .....	10.48	MHK 186	Nut Kit, Grill Horse Corral; 1966, 65/66, (kit of 4) .....	1.99
MHK 22	Screw Kit, Instrument Housing; 65/66, (set of 6) .....	3.47	MHK 196	Screw Kit, Voltage Regulator & Solenoid; 65/68, (kit of 4) .....	2.18
MHK 25	J-Nut, head lamp, 65/66, (kit of 8) .....	4.05	MHK 198	Screw Kit, Trunk Floor Insert; 65/66, (kit of 2) .....	2.18
MHK 26	Screws & Nuts, Licence Plate Mtg.; 65/73, (8 ea) .....	3.47	MHK 206	Clamp, Under Dash Wiring, 65/66 .....	3.75
MHK 34	Socket Kit, Instrument Lamp, 65/68 .....	5.08	MHK 207	Rivet, Vent Window Verticle Weatherstrip, 65/66; (kit of 4) .....	1.48
MHK 35	Socket Kit, Headlamp; replacement kit, 65/73 .....	4.75	MHK 220A	Shifter Rebuild Kit, 64 1/2, 3-Speed; 65/66 4-Speed .....	22.75
MHK 37	Door Panel Clip w/Foam Insulation, 65/68 (kit of 15) .....	17.61	MHK 220B	Shifter Rebuild Kit, 65/68, 3-Speed .....	27.32
MHK 38	Clip Kit, Door Panel Clips (set of 15- Enough for one door panel), 65/69 .....	5.33	MHK 221	Clamp Kit, Fuel Line Hose; 65/73, (set of 2) .....	1.93
MHK 38A	Clip Kit, Pony Door Panels, 65/66, 69/73 Deluxe Also (kit of 15) .....	9.19	MHK 222	Clamp Kit, for Hose from Oil Cap to Air Clnr.; 65/66 (set of 2) .....	1.80
MHK 39	Screws, Licence Plate Light; 65/70, (kit of 2) .....	1.48	MHK 223	Plug Kit, Door End Weatherstrip; 65/68, (kit of 2) .....	1.80
MHK 40	J-Nut, Tail Lamp Bezel, 65/66, (kit of 4) .....	2.76	MHK 224	Screw Kit, Grill Bar Mounting; 65, (kit of 6) .....	3.08
MHK 41	Screw Kit, Arm Rest; Base to Door, (Std. Interior) 65/66, (kit of 2) .....	1.93	MHK 231	Bolt & Nut Kit, Battery Clamp; 65/66, (kit of 1 each) .....	2.32
MHK 42	Screw Kit, Distributor Internal; 65/69, (kit of 4) .....	2.18	MHK 238	Screw Kit, Gas Tank Mounting; 65/68, (kit of 13) .....	9.19
MHK 43	U-Nuts, Fender Mounting; 65/68, (kit of 12) .....	11.18	MHK 238A	Screw Kit, Gas Tank Mounting, 67/68 (kit of 15) .....	8.95
MHK 46	Screw Kit, Park Light Lens; 65/68, (kit of 4) .....	2.18	MHK 238B	Screw Kit, Gas Tank Mounting, 69/70 (kit of 11) .....	6.31
MHK 47	Screw Kit, Back-Up Lamp Lens; 65/68, (kit of 4) .....	2.18	MHK 238C	Screw Kit, Gas Tank Mounting, 71/74 (kit of 4) .....	5.30
MHK 48	Mounting Screws, Outside Mirror (Standard), 65/66, (kit of 2) .....	1.48	MHK 239	Mounting Kit, Front Valve; 65/68, (kit of 24) .....	18.19
MHK 48A	Mounting Screws, Outside Mirror (Remote), 65/66, (kit of 2) .....	1.48	MHK 241	Plug, Door Face Metal, 65/66 .....	Each 3.54
MHK 49	Screw Kit, Step Plate; 65/69, (kit of 9) .....	4.37	MHK 242	Grommet, Brake Line; 65/69, (2 req.) .....	Each 1.48
MHK 50	Screw Kit, Seat Trim Plate; 65/67, (kit of 6) .....	3.21	MHK 244	Grommet Kit, Fog Light Harness; 65/67, (kit of 2) .....	2.51
MHK 51	Screw Kit, Upper Dash Pad Retaining, 65/66 .....	3.47	MHK 245	Grommet, Fender Harness, 65/66 .....	Each 2.51
MHK 52	Screw Kit, Dash Trim & Pillar; 65/66, (kit of 8) .....	3.66	MHK 246	Grommet Kit, Park Lamp Wire; 65/66, (kit of 2) .....	2.76
MHK 53	Screw Kit, Visor & Mirror Bracket; 65/66, (kit of 9) .....	4.37	MHK 270	Nut Kit, Shock Tower; 65/66, (kit of 6) .....	5.33
MHK 53A	Screw Kit, Convertible Windshield, Upper; 65/66, (kit of 9) .....	4.37	MHK 271	Bolt Kit, Shock Tower; 65/66, (kit of 6) .....	13.05
MHK 54	Screw Kit, Interior Rear Quarter; 65/68, (kit of 4) .....	2.96	MHK 272	Bolt Kit, Shock Tower; 67/73, (kit of 6) .....	13.05
MHK 54A	Screw Kit, Rear Quarter Trim - Pony; 65/66, (kit of 4) .....	2.96	MHK 278	Clip Kit, Door & Window Handle Retaining Type; 64/65 early, (set of 2) .....	1.80
MHK 55	Screw Kit, Kick Panel; 65/68, (kit of 4) .....	2.96	MHK 279	Bolt Kit, Seat Track; 65/70, (Kit of 2) .....	3.95
MHK 56	Screw Kit, Door Face; 65/68, (kit of 12) .....	4.75	MHK 280	Spring Kit, Door & Window Handle; 65/67, (Kit of 2) .....	2.18
MHK 57	Screw Kit, Door Courtesy Lamp; 65/66, (kit of 4) .....	2.18	MHK 282	Bolt & U-Nut Kit, Bumperette, 65/66, (kit of 4) .....	3.92
MHK 58	Screw Kit, Sill Plate Repair, 65/69 .....	2.18	MHK 287	Mounting Bolt Kit, Convertible Plate, 65/66 .....	6.04
MHK 60	Clip Kit, Brake & Fuel Line, 65/67 (1) pc. 5/16" Fuel Line, 21 pcs. ....	21.15	MHK 290	Screw Kit, Gas Tank Filler Pipe, 65/68 .....	2.76
MHK 88	Wing Nut, Air Cleaner, 65/68, 6 Cylinder .....	Each 1.93	MHK 292	Mounting Kit, Battery Tray; 65/66, (kit of 8 Pieces) .....	5.33
MHK 89	Nut, 289 Air Cleaner to Carburetor, 65/68 .....	Each 1.93	MHK 293	Screws, Shift Plate, 65/66 .....	5.33
MHK 94	Fender Bolts & Nuts (MHK21/MHK43) (kit of 12 ea.) .....	18.19	MHK 295	Convertible Top Weatherstrip Nuts, 65/68 .....	18.50
MHK 95	Screw Kit, Well Liner, black; 65/73, (kit of 11) .....	9.89	MHK 296	Screw Kit, Convertible Bow End; 65/66, (kit of 4) .....	2.18
MHK 99	Bumper, Front License, 65/68 .....	Each 1.67	MHK 422	Bolt Kit, Valve Cover; V8, 65/68, (kit of 6) .....	9.89
MHK 113	Bolt Kit, Rear Valve End, 65/73, (special kit of 2) .....	3.47	MHK 423	Bolt Kit, Shock Absorber Mounting; 65/66, (kit of 4) .....	5.45
MHK 114	Nut Kit, Seat Mounting; (kit of 4) .....	4.56	MHK 529	Clip Kit, Dash Pad Trim; 65/66, (kit of 4) .....	2.95
MHK 133	Plug Kit, Brake Adjusting Hole, 65/73, (kit of 4) .....	2.76	MHK 531	Fender Bolt Kit - Black, Star Washer; 65/66, (kit of 12) .....	12.25
MHK 135	Screw Kit, Auto Shifter Housing; 65/68, (kit of 4) .....	2.18	MHK 534	Fender Bolt Kit - Gold, Disc Washer; 71/73 .....	13.05
MHK 146	Screw Kit, Rear Valve; 65/68, (kit of 11) .....	9.19	MHK 564	Rear Bumper Bolt Kit -71/72, All, 73 Without Bumper Guards (kit of 8) .....	8.61
MHK 147	Screw Kit, Glove Box, black; 65/66, (kit of 7) .....	4.05	MHK 565	Rear Bumper & Guard Kit -73, (kit of 8) .....	7.32
MHK 148	U-Nut Kit, Instrument Bezel; 65/66, (kit of 6) .....	4.05	MHK 566	Front Urethane Bumper Kit; 71/72, (Kit of 18) .....	24.03
MHK 149	U-Nut & Bolt Kit, Radiator; 65/68, (kit of 4 each) .....	6.62	MHK 568	Rear Bumper Guard Kit -71/72, (kit of 8) .....	6.04
MHK 150	Bolt Kit, Door Hinge; 65, (kit of 6) .....	5.33	MHK 569	Bumper Guard Pad Mounting Kit -71/73, (Kit of 6- Does 2 Pads) .....	2.51
MHK 151	Bolt Kit, Hood Hinge Mounting; 65/68, (kit of 5) .....	4.75	MHK 570	Front Chrome Bumper Bolt Kit -73, (Kit of 12) .....	13.75
MHK 152	Screw & Nut Kit, Grille Mount.; 65/66, (kit of 8 each) .....	6.62	MHK 573	Front Chrome Bumper Bolt Kit -71/72, (Kit of 18) .....	24.03
MHK 153	Screw Kit, Washer Bag Bracket; 65/67, (kit of 2) .....	1.48			

# DECALS



DF 95



DF 63



DF 182



DF 59



DF 53



DF 183



DF 171



DF 54



DF 162



DF 45



DF 322



DF 184



DF 13/104



DF 316



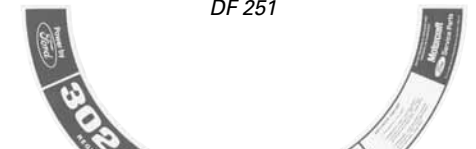
DF 251



DF 14



DF 221



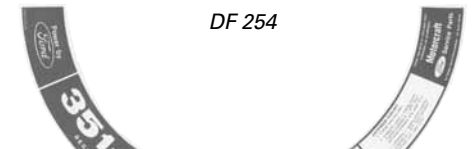
DF 254



DF 15



DF 246



DF 256



DF 60



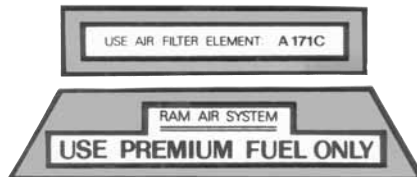
DF 260



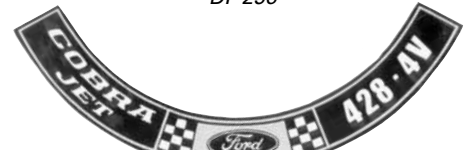
DF 379



DF 61



DF 172/443



DF 395



DF 321





# DECALS

## Air Cleaner Decals

MDF 95	1964 MUSTANG 170 CID AIR CLEANER DECAL .....	3.00
MDF 59	1965-68 MUSTANG 200 CID AIR CLEANER DECAL .....	2.75
MDF 171	1966 MUSTANG "SPRINT 200" AIR CLEANER DECAL .....	2.68
MDF 443	1968-69 MUSTANG 250 CID AIR CLEANER DECAL .....	3.00
MDF 172	1970-72 MUSTANG 250 CID AIR CLEANER DECAL .....	3.25
MDF 45	1964 MUSTANG 260 CID AIR CLEANER DECAL .....	2.53
MDF 13	1964-66 MUSTANG 289 CID AIR CLEANER DECAL .....	2.68
MDF 104	1967-68 MUSTANG 289 CID AIR CLEANER DECAL .....	3.00
MDF 14	1965-66 MUSTANG 289-4V PREM FUEL AIR CLNR DECAL .....	2.68
MDF 105	1967-68 MUSTANG 289-4V PREM FUEL AIR CLNR DECAL .....	3.00
MDF 15	1965-67 MUSTANG 289 HI-PERFORMANCE AIR CLNR DECAL .....	2.68
MDF 60	1968-69 MUSTANG 302-2V AIR CLEANER DECAL .....	2.68
MDF 182	1970-71 MUSTANG 302-2V REG FUEL AIR CLEANER DECAL .....	3.25
MDF 584	1972-73 MUSTANG 302-2V REG FUEL AIR CLEANER DECAL .....	3.25
MDF 61	1968-69 MUSTANG 302-4V PREM FUEL AIR CLEANER DECAL .....	3.00
MDF 183	1970-71 MUSTANG 302-4V PREM FUEL AIR CLEANER DECAL .....	3.25
MDF 254	1972-73 MUSTANG 302-4V REG FUEL AIR CLEANER DECAL .....	3.25
MDF 321	1968-69 MUSTANG 302 HI-PERFORMANCE AIR CLNR DECAL .....	3.25
MDF 162	1969-70 MUSTANG BOSS 302 AIR CLEANER DECAL .....	3.25
MDF 179	1969-70 SHELBY 351 RAM AIR CLEANER DECAL .....	3.25
MDF 62	1968-69 MUSTANG 351-2V AIR CLEANER DECAL .....	3.00
MDF 184	1970-71 MUSTANG 351-2V REG FUEL AIR CLEANER DECAL .....	3.65
MDF 668	1972-73 MUSTANG 351-2V REG FUEL AIR CLEANER DECAL .....	3.25
MDF 63	1969 MUSTANG 351-4V PREM FUEL AIR CLEANER DECAL .....	3.00
MDF 185	1970-71 MUSTANG 351-4V PREM FUEL AIR CLEANER DECAL .....	3.25
MDF 260	1971 MUSTANG BOSS 351 3 PC AIR CLEANER DECAL SET .....	5.05
MDF 256	1972-73 MUSTANG 351-4V REG FUEL AIR CLEANER DECAL .....	3.85
MDF 365	1972 MUSTANG 351 CJ AIR CLEANER DECAL .....	3.00
MDF 53	1967-69 MUSTANG 390 CID AIR CLEANER DECAL .....	3.00
MDF 54	1967-69 MUSTANG 390-4V PREM FUEL AIR CLEANER DECAL .....	3.00
MDF 479	1970 MUSTANG 390-4V PREM FUEL AIR CLEANER DECAL .....	3.25
MDF 322	1967-68 MUSTANG 390 HI-PO AIR CLEANER DECAL .....	3.00
MDF 316	1968 MUSTANG 427-4V PREM. FUEL AIR CLEANER DECAL .....	3.00
MDF 324	1968 MUSTANG 427-4V HI-PO AIR CLEANER DECAL .....	3.00
MDF 221	1968 MUSTANG 428-4V PREM. FUEL AIR CLEANER DECAL .....	3.85
MDF 778	1969 MUSTANG 428-4V PREM. FUEL AIR CLEANER DECAL .....	3.00
MDF 178	1969-70 SHELBY COBRA JET RAM AIR, AIR CLEANER DECAL .....	3.25
MDF 379	1969-70 MUSTANG 428 COBRA JET AIR CLEANER DECAL .....	3.25
MDF 451	1971 MUSTANG 429-4V PREM. FUEL AIR CLEANER DECAL .....	3.25
MDF 395	1971 MUSTANG 429 COBRA JET AIR CLEANER DECAL .....	3.50
MDF 37	1966 MUSTANG AIR CLEANER PART NUMBER DECAL .....	1.34
MDF 261	1967 MUSTANG AIR CLEANER PART NUMBER DECAL .....	1.75
MDF 760	1965 MUSTANG AIR CLEANER SERVICE INSTRUCTION DECAL .....	3.00
MDF 149	1966-73 MUSTANG AIR CLEANER SERVICE INSTRUCTION DECAL .....	3.00
MDF 150	1964-73 MUSTANG AIR CLEANER FRONT AIR CLEANER DECAL .....	3.00
MDF 160	1964-67 "AUTOLITE" SPARK PLUG DECAL - (Curved-Type) .....	2.68
MDF 352	1964-66 "AUTOLITE" SPARK PLUG DECAL - (Square-Type) .....	3.00
MDF 325	1968-75 "AUTOLITE" REPLACEMENT PARTS DECAL .....	3.00
MDF 350	1964-66 CRANKCASE VENT AIR CLEANER DECAL .....	3.85
MDF 246	1967-68 "SPORTS SPRINT" AIR CLEANER DECAL .....	2.68

## Valve Cover Decals

MDF 138	1969-70 MUSTANG BOSS 302 VALVE COVER DECAL .....	Pair	4.55
MDF 394	1971 MUSTANG BOSS 351 VALVE COVER DECALS .....	Pair	3.00
MDF 176	1969-70 MUSTANG BOSS 429 VALVE COVER DECAL .....	Pair	2.53
MDF 373	FORD 289 COBRA POWERED 271 HP V.C.D. ....	Pair	6.57
MDF 410	"POWERED BY FORD" VALVE COVER DECAL (Chrome) .....		3.00
MDF 411	"POWERED BY FORD" VALVE COVER DECAL (White) .....		3.00

## Engine Compartment Decals

MDF 164	1964-66 OIL FILLER CAP DECAL .....	2.68	
MDF 280	1964-66 FUEL FILTER DECAL .....	2.68	
MDF 33	1964 COIL DECAL .....	3.28	
MDF 224	1965-72 COIL DECAL .....	3.28	
MDF 515	1964 GENERATOR DECAL .....	3.54	
MDF 447	1964 STARTER DECAL .....	3.54	
MDF 337	1964 VOLTAGE REGULATOR DECAL .....	3.25	
MDF 347	1964 VOLTAGE REGULATOR WARNING DECAL .....	Pair	3.25
MDF 412	1965-66 VOLTAGE REGULATOR DECAL .....	3.54	
MDF 348	1967-72 VOLTAGE REGULATOR DECAL .....	3.25	

## Engine Compartment Decals, Continued

MDF 464	1968-70 HI-PERFORMANCE VOLTAGE REGULATOR DECAL .....	3.54	
MDF 320	1965-70 VOLTAGE REGULATOR WARNING TAG .....	3.25	
MDF 345	1964 1/2 SERVICE SPECIFICATION DECAL .....	3.00	
MDF 20	1965-66 SERVICE SPECIFICATION DECAL .....	2.68	
MDF 52	1967-69 SERVICE SPECIFICATION DECAL .....	2.85	
MDF 346	1970 SERVICE SPECIFICATION DECAL .....	3.00	
MDF 308	1971 SERVICE SPECIFICATION DECAL .....	3.00	
MDF 250	1964-66 COOLING WARNING DECAL .....	3.00	
MDF 31	1968-79 "CAUTION FAN" DECAL .....	2.68	
MDF 120	1964-66 "FoMoCo ANTIFREEZE" TAG .....	3.25	
MDF 699	1964-66 "ROTUNDA ANTIFREEZE" TAG .....	3.00	
MDF 700	1967-73 "FORD ANTIFREEZE" TAG .....	3.25	
MDF 784	1964-68 AUTOLITE STA-FUL BATTERY TAG .....	3.54	
MDF 194	1964-82 MUSTANG BATTERY TEST OK DECAL .....	1.34	
MDF 319	1969-70 MUSTANG REV LIMITER DECAL .....	3.00	
MDF 729	1965 MUSTANG DISC BRAKE WARNING TAG .....	3.25	
MDF 331	1966 MUSTANG DISC BRAKE MASTER CYL DECAL .....	3.00	
MDF 332	1967 MUSTANG DISC BRAKE MASTER CYL DECAL .....	3.00	
MDF 460	1969-71 MUSTANG "PAINT OK" DECAL SET .....	3.00	
MDF 550	1964-66 MUSTANG AIR CONDITIONER DRYER DECAL .....	3.00	
MDF 656	1969 MUSTANG AIR CONDITIONER DRYER DECAL .....	3.00	
MDF 549	1970 MUSTANG AIR CONDITIONER DRYER DECAL .....	3.00	
MDF 548	1967-70 MUSTANG AIR CONDITIONER CLUTCH DECAL .....	3.00	
MDF 351	1964-68 MUSTANG AIR CONDITIONER ALUM TAG .....	3.95	
MDF 532	1971-73 MUSTANG AIR CONDITIONER CHARGE DECAL .....	3.54	
MDF 684	1964-70 AUTOLIGHT FL-1 OIL FILTER DECAL .....	3.54	
MDF 783	1964-70 AUTOLIGHT F-11 RACING OIL FILTER DECAL .....	3.54	
MDF 647	1964-70 FORD 6000 MILE ROTUNDA OIL FILTER DECAL .....	4.55	
MDF 8Z	1965-66 RADIATOR ON AIR CONDITIONER CLAMP .....	Pair	3.50

## Emission System Decals

MDF 296	1968-69 289-351-2V AT/MT EMISSION DECAL .....	3.25
MDF 562	1968-69 302-351-4V AT/MT EMISSION DECAL .....	3.25
MDF 297	1968-69 390-428-4V AT/MT EMISSION DECAL .....	3.25
MDF 782	1969 GT 390-4V AT/MT EMISSION DECAL .....	3.25
MDF 197	1969-EARLY 70 BOSS EMISSION DECAL .....	3.25
MDF 295	1969-70 BOSS 429 EMISSION DECAL .....	3.25
MDF 772	1970 200 6 CYL AT/MT EMISSION DECAL .....	3.25
MDF 311	1970 302 MT EMISSION DECAL .....	3.25
MDF 344	1970 LATE BOSS 302 EMISSION DECAL .....	3.25
MDF 650	1970 BOSS 302 MT CALIFORNIA EMISSION DECAL .....	3.25
MDF 742	1970 351-4V AT/MT EMISSION DECAL .....	3.25
MDF 666	1971 200 SIX CYL AT/MT EMISSION DECAL .....	3.25
MDF 763	1971 302-2V AT/MT EMISSION DECAL .....	3.25
MDF 554	1971 351-2V AT EMISSION DECAL .....	3.25
MDF 762	1971 351-4V AT/MT EMISSION DECAL .....	3.25
MDF 455	1971 BOSS 351 MT EMISSION DACAL .....	3.25
MDF 555	1971 429-4V CJ AT/MT EMISSION DECAL .....	3.25
MDF 594	1972 351C-2V AT/MT EMISSION DECAL .....	3.25
MDF 534	1972 351C-4V AT EMISSION DECAL .....	3.25
MDF 641	1973 302-2V AT/MT EMISSION DECAL .....	3.25
MDF 640	1973 351C-2V AT EMISSION DECAL .....	3.25
MDF 582	1973 351-4V MT EMISSION DECAL .....	3.25
MDF 638	1973 351C-4V AT/MT EMISSION DECAL .....	3.25

## Interior Decals

MDF 19	1966 MUSTANG GLOVE BOX TIRE PRESSURE DECAL .....	2.68
MDF 463	1965-66 MUSTANG RED RING TIRE PRESSURE DECAL .....	3.25
MDF 282	1967-EARLY 68 MUSTANG GLOVE BOX TIRE PRESSURE DECAL ...	3.00
MDF 283	1968 MUSTANG DOOR TIRE PRESSURE DECAL .....	3.00
MDF 559	1969 EARLY MUSTANG TIRE PRESSURE DECAL .....	3.00
MDF 376	1969 LATE MUSTANG TIRE PRESSURE DECAL .....	3.00
MDF 310	1969-70 MUSTANG BOSS 429 TIRE PRESSURE DECAL .....	3.00
MDF 789	1970 EARLY MUSTANG TIRE PRESSURE DECAL .....	3.00
MDF 147	1970 LATE MUSTANG TIRE PRESSURE DECAL .....	3.00
MDF 377	1971 MUSTANG TIRE PRESSURE DECAL .....	3.00
MDF 380	1972 MUSTANG TIRE PRESSURE DECAL .....	3.00
MDF 378	1973 MUSTANG TIRE PRESSURE DECAL .....	3.00
MDF 429	1965-73 MUSTANG DETROIT LOCKER GLOVE BOX DECAL .....	3.95

# DECALS

## Interior Decals, continued

MDF 170	1964-70 MUSTANG SUN VISOR START INST SLEEVE .....	3.25
MDF 726	1970 MUSTANG IGNITION LOCK INSTRUCTION SLEEVE .....	3.25
MDF 665	1966-69 MUSTANG SUN VISOR SAFETY PRECAUTION DECAL .....	3.25
MDF 370	1964-66 MUSTANG BLACK SILL PLATE DECAL .....	3.75
MDF 709	1967-73 MUSTANG BLUE SILL PLATE DECAL .....	3.75
MDF 51	1964 MUSTANG HEATER INSTRUCTION TAG .....	2.53
MDF 564	1965-66 MUSTANG HEATER INSTRUCTION TAG .....	3.00
MDF 444	1965-66 WINDSHIELD WASHER ADJUSTING TAG .....	2.53
MDF 644	1969-70 BOSS/SHELBY CHOKE DECAL .....	3.00
MDF 649	1967/68 3-SPEED TRANSMISSION INSTRUCTION TAG .....	3.25
MDF 333	1964-65 OWNER'S MANUAL ENVELOPE .....	3.00
MDF 595	1964 1/2 MUSTANG NEW CAR WINDOW PRICE STICKER .....	3.25
MDF 43	1965 MUSTANG NEW CAR WINDOW PRICE STICKER .....	4.25
MDF 25	1966 MUSTANG NEW CAR WINDOW PRICE STICKER .....	4.25
MDF 124	1967 MUSTANG NEW CAR WINDOW PRICE STICKER .....	3.25
MDF 88	1969 MUSTANG NEW CAR WINDOW PRICE STICKER .....	4.25
MDF 240	1970 MUSTANG NEW CAR WINDOW PRICE STICKER .....	3.00
MDF 87	1971 MUSTANG NEW CAR WINDOW PRICE STICKER .....	4.25
MDF 264	1972 MUSTANG NEW CAR WINDOW PRICE STICKER .....	3.00
MDF 243	1973 MUSTANG NEW CAR WINDOW PRICE STICKER .....	3.00
MDF 55	1965 MUSTANG NEW CAR ACCESSORY PRICE LIST .....	3.00
MDF 56	1966 MUSTANG NEW CAR ACCESSORY PRICE LIST .....	3.00
MDF 97	1967 MUSTANG NEW CAR ACCESSORY PRICE LIST .....	3.00
MDF 98	1968 MUSTANG NEW CAR ACCESSORY PRICE LIST .....	3.00
MDF 99	1969 MUSTANG NEW CAR ACCESSORY PRICE LIST .....	3.00
MDF 100	1970 MUSTANG NEW CAR ACCESSORY PRICE LIST .....	3.00
MDF 101	1971 MUSTANG NEW CAR ACCESSORY PRICE LIST .....	3.00
MDF 102	1972 MUSTANG NEW CAR ACCESSORY PRICE LIST .....	3.00
MDF 103	1973 MUSTANG NEW CAR ACCESSORY PRICE LIST .....	3.00
MDF 787	1968 MUSTANG BUILD SHEET .....	3.54
MDF 786	1969 MUSTANG BUILD SHEET .....	3.54
MDF 785	1970 MUSTANG BUILD SHEET .....	3.54

## Trunk Compartment Decals

MDF 145	1965 MUSTANG JACK INSTRUCTIONS .....	3.00
MDF 146	1966 MUSTANG JACK INSTRUCTIONS .....	3.00
MDF 371	1967 EARLY MUSTANG JACK INSTRUCTIONS .....	3.00
MDF 44	LATE 1967-68 MUSTANG JACK INSTRUCTIONS .....	3.00
MDF 374	1968 MUSTANG JACK INSTRUCTIONS (STYLED WHEEL) .....	3.00
MDF 368	1968-70 MUSTANG JACK INSTRUCTIONS (SPACE SAVER) .....	3.00
MDF 78	1969-70 MUSTANG JACK INSTRUCTIONS (REG WHEEL) .....	3.00
MDF 77	1969-70 MUSTANG JACK INSTRUCTIONS (STYLED WHEEL) .....	3.00
MDF 367	1971 MUST BOSS 351 JACK INSTRUCTION (SPACE SAVER) .....	3.00
MDF 46	EARLY 1971 MUST JACK INSTRUCTION (REG WHEEL) .....	2.53
MDF 413	LATE 1971-72 MUST COUPE JACK INSTRUCTION (REG WHEEL)...	2.53
MDF 218	LATE 1971 MUSTANG JACK INSTRUCTION (SPACE SAVER).....	3.00
MDF 414	LATE 1971-73 MUSTANG JACK INSTRUCTION (REG & SPACE) .....	2.53
MDF 465	1973 MUSTANG CONV JACK INSTRUCTION .....	2.53
MDF 653	1973 MUSTANG COUPE JACK INSTRUCTIONS.....	3.00
MDF 36	1964-73 MUSTANG JACK DECAL.....	1.34
MDF 168	1968-69 MUSTANG SAFETY ACT DECAL.....	2.53
MDF 244	1968-70 MUSTANG SPACE SAVER INSTRUCTION DECAL .....	3.00
MDF 281	1968-70 MUSTANG SPACE SAVER TRUNK LID DECAL .....	3.00
MDF 811	1968 MUSTANG SPACE SAVER INFLATOR BOTTLE DECAL .....	3.54
MDF 812	1969 MUSTANG SPACE SAVER INFLATOR BOTTLE DECAL .....	3.54
MDF 813	1970 MUSTANG SPACE SAVER INFLATOR BOTTLE DECAL .....	3.54
MDF 814	1971-74 MUSTANG SPACE SAVER INFLATOR BOTTLE DECAL .....	3.54

## Exterior Decals

MDF 533	1965-67 MUSTANG WIRE WHEEL BLUE CENTER DECAL .....	2.68
MDF 284	1965-73 MUSTANG REAR GRAVEL PAN DECAL .....	2.68
MDF 225	1969-70 MUSTANG BOSS 429 FENDER DECAL - (BLACK).....	15.15
MDF 226	1969-70 MUSTANG BOSS 429 FENDER DECAL - (WHITE).....	15.15
MDF 383	1970 MUSTANG 351 HOOD DECAL - (BLACK).....	6.57
MDF 576	1970 MUSTANG 351 HOOD DECAL - (WHITE).....	6.57
MDF 516	1970 MUSTANG 428 HOOD DECAL - (BLACK).....	6.57
MDF 583	1970 MUSTANG 428 HOOD DECAL - (WHITE).....	6.57
MDF 505	1971 MUSTANG BOSS 351 FENDER DECAL - (BLACK).....	12.63
MDF 506	1971 MUSTANG BOSS 351 FENDER DECAL - (ARGENT).....	12.63
MDF 507	1971 MUSTANG BOSS 351 DECK LID DECAL - (BLACK).....	10.61

## Exterior Decals, continued

MDF 508	1971 MUSTANG BOSS 351 DECK LID DECAL - (ARGENT).....	10.61
MDF 384	1971-72 MUSTANG RAM AIR HOOD DECAL - (ARGENT).....	6.57
MDF 385	1971-72 MUSTANG RAM AIR HOOD DECAL - (BLACK).....	6.57
MDF 386	1971-72 MUSTANG 351 RAM AIR HOOD DECAL - (ARGENT).....	6.57
MDF 387	1971-72 MUSTANG 351 RAM AIR HOOD DECAL - (BLACK).....	6.57
MDF 419	1971 MUSTANG 429 RAM AIR HOOD DECAL - (ARGENT).....	6.57
MDF 420	1971 MUSTANG 429 RAM AIR HOOD DECAL - (BLACK).....	6.57
MDF 675	1971-72 MUSTANG MACH 1 FENDER DECAL - (BLACK).....	13.13
MDF 676	1971-72 MUSTANG MACH 1 FENDER DECAL - (ARGENT).....	13.13
MDF 677	1971-72 MUSTANG MACH 1 DECK LID DECAL - (BLACK).....	8.59
MDF 678	1971-72 MUSTANG MACH 1 DECK LID DECAL - (ARGENT) .....	8.59
MDF 388	1972 MUSTANG USA BODY SHIELD DECAL .....	6.57
MDF 361	FORD OVAL; 3" Diameter.....	3.00
MDF 363	FORD PVAL; 10" Diameter .....	3.50
M 16621A	Hood Decal; 70 "351" , RH or LH, Vinyl Tape .....	Each 6.06

## Decal Kits - Your Best Value!

MDK 241964	1/2 MUSTANG 15 PIECE DETAILING DECAL KIT.....	18.69
RETAIL VALUE 29.00		
MDK 251965	MUSTANG 15 PIECE DETAILING DECAL KIT.....	18.69
RETAIL VALUE 28.00		
MDK 261966	MUSTANG 14 PIECE DETAILING DECAL KIT.....	18.69
RETAIL VALUE 26.00		
MDK 271967	MUSTANG 14 PIECE DETAILING DECAL KIT.....	18.69
RETAIL VAUE 27.00		
MDK 281968	MUSTANG 14 PIECE DETAILING DECAL KIT.....	18.69
RETAIL VALUE 28.00		
MDK 291969	MUSTANG 14 PIECE DETAILING DECAL KIT.....	18.69
RETAIL VALUE 27.50		
MDK 301970	MUSTANG 12 PIECE DETAILING DECAL KIT.....	18.69
RETAIL VALUE 25.00		
MDK 311971	MUSTANG 12 PIECE DETAILING DECAL KIT.....	18.69
RETAIL VALUE 23.00		
MDK 321972	MUSTANG 12 PIECE DETAILING DECAL KIT.....	18.69
RETAIL VALUE 24.00		
MDK 331973	MUSTANG 12 PIECE DETAILING DECAL KIT.....	18.69
RETAIL VALUE 23.00		

**\*\*DETAILING DECAL KITS DO NOT INCLUDE AIR CLEANER DECAL\*\***

## Can't Find What You're Looking For?

If you are looking for a certain part and are not able to locate it in this catalog, give us a call, write or contact us via the internet at [www.larrytbird.com](http://www.larrytbird.com). It may be that we have what you are looking for but the part was not listed in this catalog at the time of printing. Some parts may no longer be available either New or NOS. We have a large used parts inventory and may have just the part you need. Give us a call for information regarding our used parts inventory.

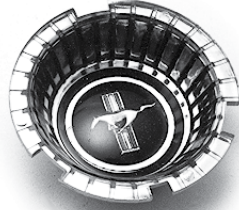


# EMBLEMS

## Knock Off Wheel Cover Insert



M 1130-4



M 1130-5

M 1130-4	65; Knock-Off Type Center Insert Red, White & Blue with Black Center .....	Each	17.75
M 1130-5	66; Knock-Off Type Center Insert; Deep Dish, Black & Silver Ribs with Running Horse Center .....	Each	17.75

## Woodgrain Steering Wheel Insert



M 3623A	65/66 .....	Each	74.95
---------	-------------	------	-------

## Steering Wheel Center Emblem



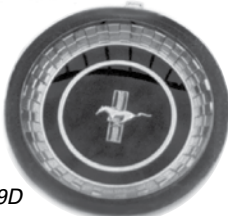
M 3649C



M 3649L



M 3649K



M 3649D

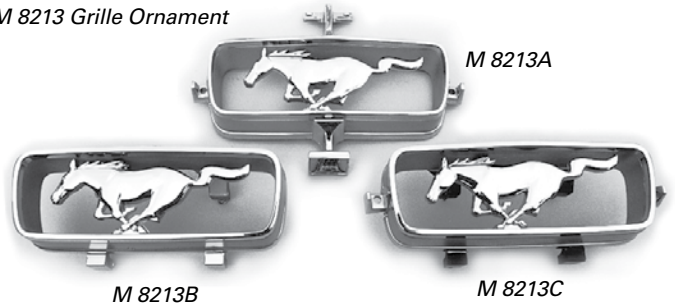


M 3649J

<b>M 3649</b>	<b>Steering Wheel Center Emblem</b>		
M 3649B	68, GT350/500, "Shelby Cobra" .....	Each	27.95
M 3649C	69/70, GT350/500, "Shelby Cobra" .....	Each	17.50
M 3649D	67 .....	Each	23.95
M 3649E	68 .....	Each	28.00
M 3649F	69; 3 Spoke Wheel .....	Each	21.16
M 3649G	70; 3 Spoke Wheel .....	Each	21.16
M 3649H	69/73; 2 Spoke Wheel .....	Each	19.95
M 3649J	65/73; Ford Blue Oval .....	Each	19.95
M 3649K	65/73; Running Horse .....	Each	19.95
M 3649L	65/73; "Cobra" .....	Each	19.95

Note: Center Emblems M 3649J, M 3649K and M 3649L, Are For Use With Parts Numbers M 360065S & M 360067S.

## M 8213 Grille Ornament



M 8213B

M 8213C



M 8213F



M 8213G



M 8213I

## Grille Ornaments

M 8213A	65; Running Mustang .....	95.00
M 8213B	66; Without Fog Lamps .....	90.85
M 8213C	66; With Fog Lamps .....	90.85
M 8213D	67 .....	145.00
M 8213F	69/70; GT350/500, 2" Snake & Plate, "Shelby" .....	19.95
M 8213G	70; All .....	28.79
M 8213I	71/73; Mach 1 .....	22.17
M 8213J	69 .....	34.29
M 8213K	73; Standard Grille Emblem .....	25.20

See Page 120 For Attaching Parts Kit MHK 186.

## Grille Medallions



M 8224A

M 8224A	68; Running Horse .....	31.26
M 8224B	67; GT350, Used on grille, dash & deck lid; Reproduction • Metal .....	36.97

## M 8390 Radiator Grille Bar

M 8390A	66; GT, Fog Lamp Bars; Die-cast, RH & LH .....	Per Set	49.95
M 8390C	65; Standard Grille Bars .....	Per Set	50.45
M 8390E	67; Standard Grille Bars .....	Per Set	100.95
M 8390G	67; GT Fog Light Bars .....	Per Set	110.95
M 8390H	65; GT Fog Light Bars .....	Per Set	80.75

See Page 125 For Attaching Parts Kit MHK 224.

# EMBLEMS

## GT Grille Bars & Lamp Kits



M 8391B

<b>M 8391</b>	<b>GT Grille Bars &amp; Lamps-Kit</b>		
M 8391B	66; Consists of: (1) Set of our own die-cast reproduction light bars #M 8390A, and our own exact reproduction lamps #15200A with bulbs and wire pigtails (2) .....	Per Set	115.00
M 8391C	67; Consists of: GT Fog Light Bars, Bulb, Bulb Housings, and Wire Pigtails.....	Per Set	166.60
M 8391D	65; Consists Of: (1) Set Fog Lamp Bars, Bulb Housings, Clear Bulbs & Bulb PigTails.....	Per Set	149.95
<b>M 8394</b>	<b>Fog Lamp Bar Bracket</b>		
M 8394A	66; Mounts Behind Grille .....	Per Set	21.72
M 8394B	67; Mounts Behind Grille .....	Per Set	22.50
M 8394C	65 .....	Per Set	24.50
M 8394D	68 .....	Per Set	22.50

## Instrument Panel Name Plates



M 04460C

M 04460C	68; "Cobra Jet" .....	32.50
<b>M 04490</b>	<b>Running Horse Ornament for Dash Panel</b>	
M 04490B	67/68; To Complete Dash Panel Part Number 04490A .....	4.95
M 04490C	67/68 Deluxe Interior Emblem & Base.....	34.95

## Dash Emblems

<b>M 04460</b>	<b>Dash Emblems</b>		
M 04460A	69/70; Chrome Bezel For Peel & Stick Emblems.....	Each	19.95
M 04460D	69/70; "MACH 1" Peel & Stick.....	Each	8.00
M 04460E	69/70; "MUSTANG" Peel & Stick.....	Each	8.00
M 04460F	69/70; "GRANDE" Peel & Stick.....	Each	14.25
M 04460G	71/73; "MUSTANG" Peel & Stick.....	Each	10.00

Can't make a decision on the best gift? Larry's gift certificates are the solution! Ask our Sales Specialists for complete details.



Your Number One Source for Mustang Restoration Parts!

# EMBLEMS

## Hood Scoop Emblem



M 16637B 69; RH or LH, "351", Includes fasteners..... Each 29.95

## Quarter Panel Nameplate



*Deep, Lustrous Chrome Finish!*

M 25622A 68; (Coupe) GT/CS, "California Special" ..... Each 39.95

## Rocker Panel Moulding



M 10176A	65/66; RH.....	50.29
M 10177A	65/66; LH.....	50.29
M 10176B	67/68; RH.....	46.00
M 10177B	67/68; LH.....	46.00
M 10176C	69; RH.....	56.00
M 10177C	69; LH.....	56.00
M 10176D	71/73; RH.....	55.50
M 10177D	71/73; LH.....	55.50

See Page 125 for Attaching Parts Kit MHK 252.

## Rocker Panel Moulding Clip Sets

M 10182E	65/66; RH or LH .....	Each	13.95
M 10182F	67/68; RH.....	Each	13.95
M 10182G	67/68; LH.....	Each	13.95



*Dedicated to Excellence*

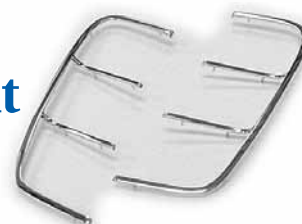
## Mach 1 Rocker Moulding Emblem Set



Complete "MACH 1" Letter Set to finish detailing the exterior of your 1970 Mach 1.

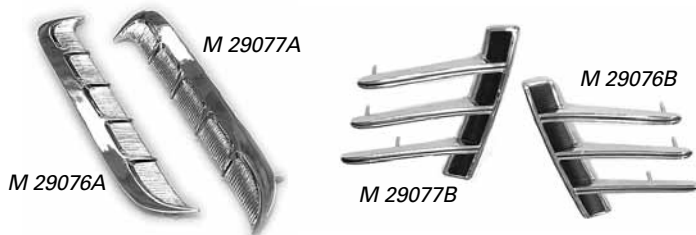
M 16003AK 70; Mach 1 Letter Set .....Set 96.91

## Quarter Panel Ornament



M 29014A 69; Coupe & Convertible Pair.....127.21

## Quarter Panel Outside Rear Ornament

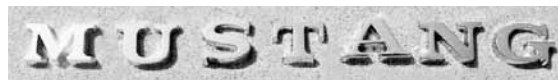


M 29076A	65; RH, Coupe & Convertible.....	17.95
M 29077A	65; LH, Coupe & Convertible .....	17.95
M 29076B	66; RH, Coupe & Convertible.....	18.95
M 29077B	66; LH, Coupe & Convertible .....	18.95
M 29076D	68; RH & LH, Quarter Ornament.....	Pair 59.95

## Hood & Trunk Letters



M 40282Q



M 40282R

M 40228 Trunk Emblem  
M 40228A 70" Mach 1 Letters ..... 64.95

M 40228A



M 40282 "FORD" Hood Letter Set  
M 40282Q 65/66; Complete set with fasteners..... Set 10.95

M 40282 "MUSTANG" Letter Set  
M 40282R 65/71; Fender or Trunk Letters, Full Set with Pins ..... 15.95

# EMBLEMS

## Complete Emblem Kits



**M 16099AK 64 1/2; 6 Cylinder (Coupe & Convertible)**  
 Kit Includes: (1 Set) "FORD" Hood Letters, (2) 4 1/2" "MUSTANG" Fender Emblems & (2) Running Horse Fender Emblems. Includes All Necessary Attaching Parts ..... 40.29

**M 16099BK 64 1/2; 8 Cylinder (Coupe & Convertible)**  
 Kit Includes: (1 Set) "FORD" Hood Letters, (2) "260" Fender Emblems, (2) 4 1/2" Fender Emblems & (2) Running Horse Fender Emblems. Includes All Necessary Attaching Parts..... 57.58

**M 16099CK 65/66; 6 Cylinder (Coupe & Convertible)**  
 Kit Includes: (1 Set) "FORD" Hood Letters, (2) 4 7/8" "MUSTANG" Fender Emblems & (2) Running Horse Fender Emblems. Includes All Necessary Attaching Parts ..... 40.29

**M 16099DK 65/66; 6 Cylinder (Fastback)**  
 Kit Includes: (1 Set) "FORD" Hood Letters, (2) "MUSTANG 2 + 2" Fender Emblems & (2) Running Horse Fender Emblems. Includes All Necessary Attaching Parts ..... 38.75

**M 16099EK 65/66; 8 Cylinder (Coupe & Convertible)**  
 Kit Includes: (1 Set) "FORD" Hood Letters, (2) 4 7/8" "MUSTANG" Fender Emblems, (2) "289" Fender Emblems & (2) Running Horse Fender Emblems. Includes All Necessary Attaching Parts..... 57.38

**M 16099FK 65/66; 8 Cylinder (Fastback)**  
 Kit Includes: (1 Set) "FORD" Hood Letters, (2) "MUSTANG 2 + 2" Fender Emblems, (2) "289" Fender Emblems & (2) Running Horse Fender Emblems. Includes All Necessary Attaching Parts..... 52.43

**M 16099GK 65; 8 Cylinder "GT" (Fastback, Coupe & Conv.)**  
 Kit Includes: (1 Set) "FORD" Hood Letters, (2 Sets) "MUSTANG" Fender Letters, (2) "289" Fender Emblems & (2) Ceramic "GT" Fender Emblems. Includes All Necessary Attaching Parts..... 75.95

**M 16099HK 66; 8 Cylinder "GT" (Fastback, Coupe & Conv.)**  
 Kit Includes: (1 Set) "FORD" Hood Letters, (2 Sets) "MUSTANG" Fender Letters, (2) "289" Fender Emblems & (2) Plastic "GT" Fender Emblems. Includes All Necessary Attaching Parts..... 75.95

**M 16099IK 67; 6 Cylinder**  
 Kit Includes: (1 Set) "FORD" Hood Letters, (3 Sets) "MUSTANG" Fender & Trunk Letters & (2) Running Horse Fender Emblems. Includes All Necessary Attaching Parts..... 59.95

**M 16099JK 67; 8 Cylinder (289)**  
 Kit Includes: (1 Set) "FORD" Hood Letters, (3 Sets) "MUSTANG" Fender & Trunk Letters & (2) "289" w/Running Horse Fender Emblems. Includes All Necessary Attaching Parts..... 68.95

**M 16099KK 68; 6 Cylinder**  
 Kit Includes: (1 Set) "MUSTANG" Trunk Letters, (2 Sets) "MUSTANG" Fender Scripts & (2) Running Horse Fender Emblems. Includes All Necessary Attaching Parts..... 49.95

**M 16099LK 68; 8 Cylinder (302)**  
 Kit Includes: (1 Set) "MUSTANG" Trunk Letters, (2 Sets) "MUSTANG" Fender Scripts & (2) "302" w/Running Horse Fender Emblems. Includes All Necessary Attaching Parts..... 59.95



M 16098A/B



M 16098C



M 16098I



M 16098L



M 16098D



M 16098H



M 16098M

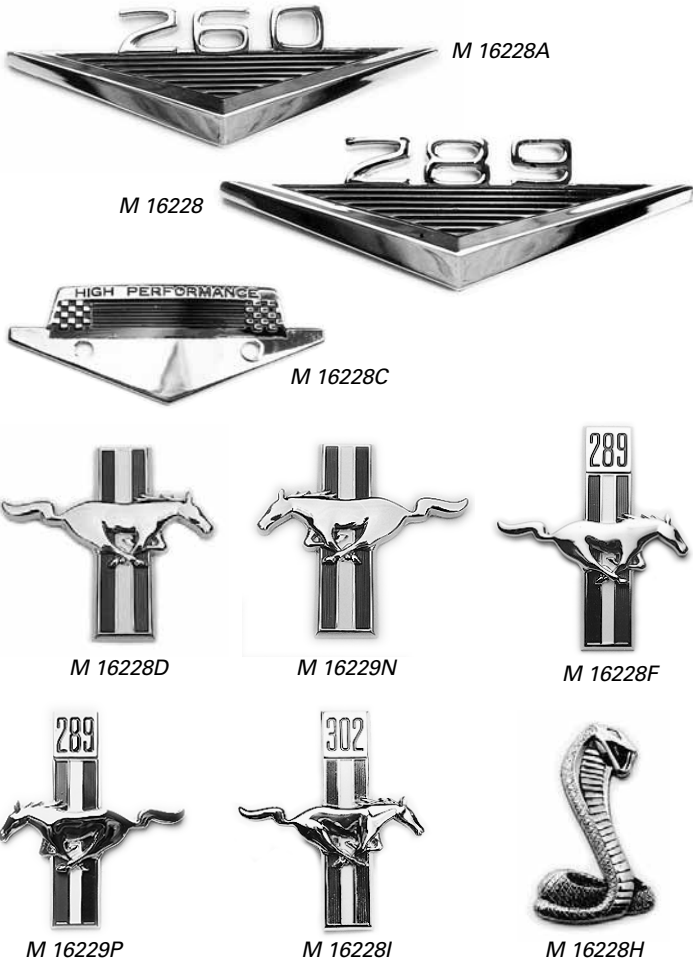
## Front Fender Emblems

M 16098A	64 1/2/65; "Mustang" (Coupe & Convertible) w/generator 4 1/2" long. Includes Fastener <b>1</b> .....	9.59
M 16098B	65/66; "Mustang" (Coupe & Convertible) with alternator, (Except GT), 4 7/8" long. Includes Fastener <b>1</b> .....	8.52
M 16098C	65/66; "Mustang 2 + 2"; (Fastback - except GT) Includes Fastener <b>1</b> .....	9.59
M 16098D	65/66; "GT" Ceramic, Before 10/1/65. Includes Fastener <b>1</b> .....	12.75
M 16098G	67; "GT" Emblem.....	Each 23.50
M 16098H	67; "GTA" Emblem. Includes Fastener.....	Each 42.37
M 16098I	68; "Mustang" (Except GT), Includes Fastener <b>2</b> 68; "GT/CS"; Fenders & Rear Deck. Includes Fastener <b>2</b> .....	9.50
M 16098J	68; "GT"; Includes Fastener <b>3</b> .....	20.15
M 16098L	69/73; "Mustang"; Includes Fastener <b>2</b> .....	10.50
M 16098M	68; "Cobra" Nameplate, Without Snake, Stick-On Type.....	14.65
M 16098P	65/66; "GT"; Plastic (After 10/1/65), Includes Fastener <b>1</b> .....	11.06

Note: For "MUSTANG" Letters See Part Number 40282.

<b>3</b>	MSP378362; Small Barrel Nut.....	Each .38
<b>2</b>	MSP353577; Medium Barrel Nut.....	Each .38
<b>3</b>	MSP375480; Large Barrel Nut.....	Each .40

# EMBLEMS



## Front Fender Emblems

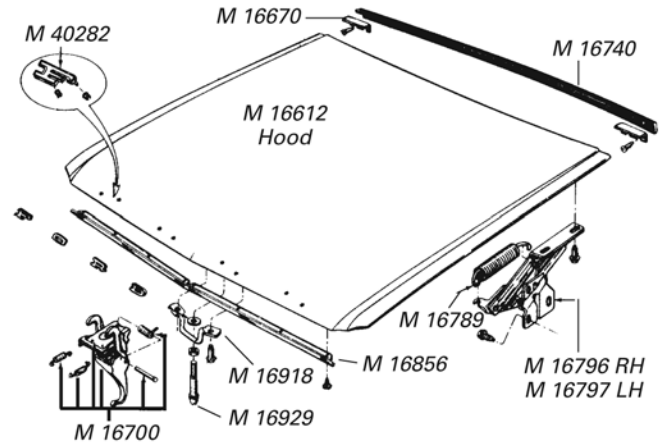
M 16228A	65; "260"; Includes Fastener <b>3</b> .....	8.83
M 16228B	65/66; "289" Includes Fastener <b>3</b> .....	8.75
M 16228C	65/66; "High Performance" Includes Fastener <b>3</b> .....	9.45
M 16228D	65/68; RH, "Running Mustang" Includes Fastener <b>2</b> .....	4.95
M 16228E	65/68; RH, "Running Mustang" with original-type mounting studs, Includes Fastener <b>1</b> .....	8.52
M 16228F	67/68; RH, "289" , Includes Fastener <b>2</b> .....	10.05
M 16228G	67/68; RH, "390" With Running Mustang Includes Fastener <b>1</b> .....	17.25
M 16228H	68; RH "302" (except GT/CS), Includes Fastener <b>1</b> .....	11.95
M 16228I	Cobra Snake; Stick-On Type .....	18.85
M 16229N	65/68; LH "Running Mustang", Includes Fastener <b>2</b> .....	4.95
M 16229O	65/68; LH "Running Mustang" with original-type mounting studs, Includes Fastener <b>1</b> .....	8.52
M 16229P	67/68; LH, "289" , Includes Fastener <b>2</b> .....	10.05
M 16229Q	67/68; LH, "390" , With Running Mustang Includes Fastener <b>1</b> .....	17.25
M 16229R	68; LH, "302" (except GT/CS), Includes Fastener <b>1</b> .....	11.95
M 16229S	65/66; "GT350" Use On Rear Panel, Incl. Fastener <b>2</b> .....	25.20
<b>1</b>	MSP378362; Small Barrel Nut.....	Each .38
<b>2</b>	MSP353577; Medium Barrel Nut.....	Each .38
<b>3</b>	MSP375480; Large Barrel Nut.....	Each .40

## GT Emblem & Stencil Kit

This is a great way to make sure you are placing your new exterior emblems and decals in their proper location! Kit includes Instructions & Templates for positioning MUSTANG Letters, GT Emblems & Stripe Kits for each front fender. This stencil kit makes your job really easy and helps you avoid costly mistakes!

MTK 01 65/66; Complete Stencil Kit..... 13.08

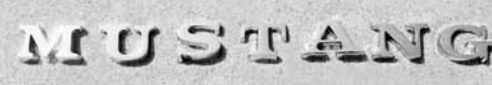
## Hood, Trunk & Fender Letters



M 16606E Hood Letters



M 40282Q Hood Letters



M 40282R Hood Letters

M 16606E	67; "FORD" Complete Set w/Fasteners (Hood) .....	Set 995
M 40282Q	65/66; "FORD" Complete Set w/Fasteners (Hood).....	Set 10.95
M 40282R	65/71, "MUSTANG" Letters; Full Set with Pins (Fender or Trunk) Includes Fasteners.....	Set 15.95
MSP 378362	Small Barrel Nut .....	Each .38

## Roof Emblem

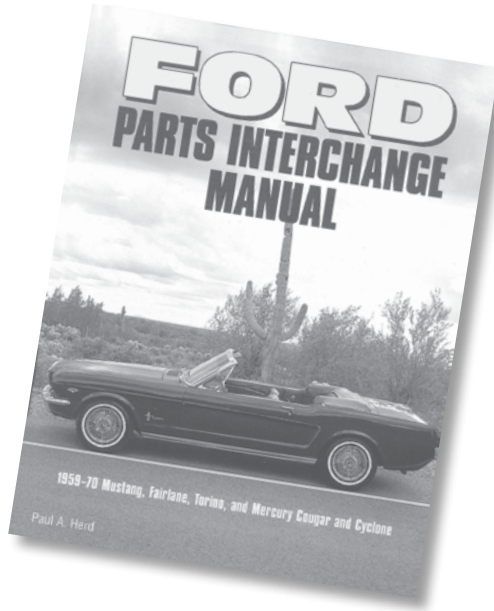
M 51720A	69; Fastback.....	Pair 89.95
----------	-------------------	------------

## Hardware Kits for Door & Window Section

MHK 186	Nut Kit, Grill Horse Corral; 65/66, (Kit of 4)	1.99
MSP 353577	Barrel Nut, to retain replacement Part No. M 16228 & M 16229, Large pin.....	Each .38
MSP 375480	Barrel Nut, holds "260" & "289" ornaments on fender, 65/66 .....	Each .40
MSP 378362	Barrel Nut, small; 65/68, used for hood letters fender ornament.....	Each .38



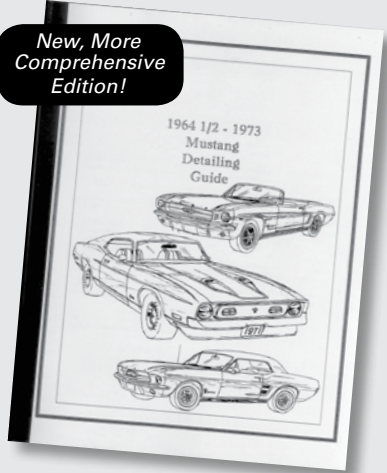
## Ford Parts Interchange Manual



This comprehensive manual catalogs all parts that can be interchanged among the many Ford models. Filled with more than 25,000 part numbers, specifications, dates and technical details on engine blocks, valves, crankshafts, pistons, and more! Softbound; 240 pages/230 illus.

MLT 21 ..... 20.15

New, More Comprehensive Edition!



"64/73 Mustang Detailing Guide" An excellent book for the Mustang enthusiast! Painstakingly researched, this guide provides 73 pages of quick-reference information. It includes information on engine compartment, undercarriage and interiors, plus much more.

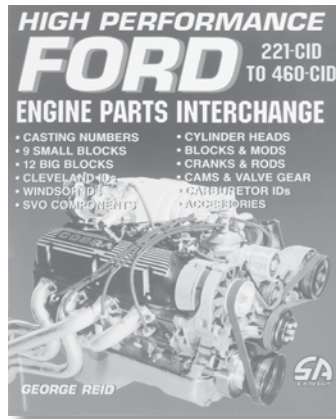
MLT 16 ..... 12.50

## High Performance Ford Engine Part Interchange

- Covers entire range of Ford engine parts interchange

Covering both big-and small-block Ford V-8 engines. Includes high-performance factory parts, interchangeability between Ford Windsor and Cleveland engines. Covers the 302 and 351 series as well as the 390 through 460 engines, factory casting numbers, etc. Softbound; 128 pages/ Over 300 b/w photos.

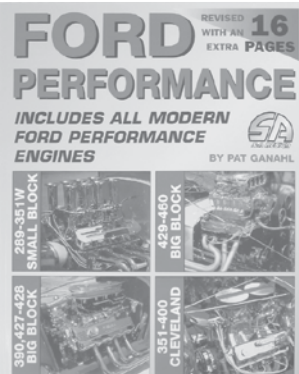
MLT 31 ..... 19.14



## Quantity Discounts on Your Purchases!

5% On Orders Over \$500.00

10% On Orders Over \$1000.00



## Ford Performance

- Considered by many as the major source of Ford performance information.
- Packed with building tips from racers and builders.

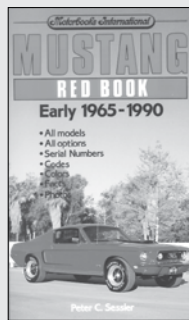
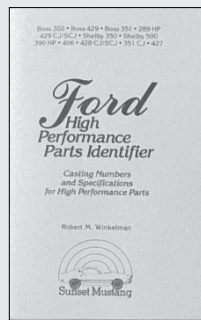
This thoroughly revised and updated edition, provides accurate technical guidance for understanding and building all popular Ford performance engines. Softbound; 144 pages/Over 300 b/wphotos.

MLT 32 ..... 19.14



Your Number One Source for T-Bird Restoration Parts!

## Mustang, Identifiers & Price Guides



### “Mustang Data Plate Decoder Book”

The Mustang Data Plate Decoder Book is a handy pocket-sized booklet that can help decipher any 1965 (including '64 1/2) through 1973 Mustang Data Plate. Inside you'll find the most comprehensive listing of Mustang codes ever, including complete colors, build dates, DSO, engine, transmission, and axle codes.

MLT 14 ..... 10.95

### “Ford HiPo Parts Identifier” Booklet

This booklet enables enthusiasts to properly identify hi-performance engines and components for restoration of hi-po models. Describes casting numbers, with extensive tables listing parts and specs. All major engine components and transmission/differentials are covered.

MLT 22 ..... 8.25

## Mustang “How-To” & Instructional Books



### Restoration Handbook for 1965-70 Mustangs

Ground up or section by section, restore your 1965-70 Mustang to like-new condition with this book. Rediscover the affordable, reliable, practical cult car of the '60's. Rebuild a classic you can actually drive! This book covers identification, year-by-year equipment changes, disassembly and assembly. Describes how to rebuild brakes, suspension & steering, detailing your engine compartment, repair rust and body damage, do body and paintwork, replace electrical wiring, gauges and switches, restore body graphics, refurbishing seats and interior trim, replace convertible & vinyl tops, plus tips on how to find the 'perfect' used Mustang. Packed with dozens of I.D. charts and more than 450 photos and drawings. Includes detailed parts and accessories suppliers list.

MLT 25 ..... 15.10

### “How to Paint Your Mustang”

At last, a book that tells you everything you need to know about painting your Mustang, from selecting between lacquer and enamel to spraying the paint yourself in your home garage. Designed as a companion to “How To Restore Your Mustang,” well-known Mustang writer Jerry Heasley guides you through every phase in easy-to-follow step-by-step fashion. Bodywork, sanding, minor rust repair, priming, and buffing are all part of this comprehensive book. Mustang color codes and paint mix numbers included in the final chapter.

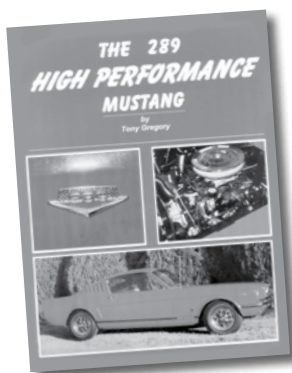
MLT 15 ..... 10.95



## “The 289 High Performance Mustang”

This book is a complete comprehensive guide to the early Hi-Po Mustangs. It is the only book available to completely detail the 1965-1967 “K” Model Mustangs. It is filled with 75 black and white photos, 11 sketches and 21 color photos. Additionally, it has an attractive soft-bound full-color cover. The detailed photos, pages of facts and technical information are what makes this book special.

MLT 27 ..... 33.95



Can't make a decision on the best gift? Larry's gift certificates are the solution for your dilemma! Ask our Sales Specialists for complete details



## “How to Rebuild Your Big Block Ford”

From the 332 to the 429 Super Cobra Jet, this book offers complete detailed information on preparing your “FE” for performance, economy, or street terror!

MLT 9 ..... 17.25



## “How to Restore Your 1965/68 Mustang”

From dismantling to detailing, “How to Restore Your Mustang” will provide you a valuable guide for properly returning your classic Mustang to its original condition.

MLT 10 65/68 Mustang ..... 15.25

## “Mustang How-To”

A hefty 98-pages of useful and informative how-to articles, 25 in all, packed with money saving detailed procedures for the do-it-yourself Mustang owner.

MLT 13 (Volume One) ..... 9.95

**Big Selection of Parts!**  
**Whether it's a hard to find part or a standard Mustang replacement part, Larry's has what you're looking for.**  
**Our inventory of parts is concurs-quality. Give us a call if you can't find the parts you need. Our knowledgeable parts specialists will be happy to help!**

## Performance Guides & Manuals

### “High-Performance Equipment Manual”

The Owner's Manual For HiPo Equipped Vehicles. Covers 289 through 428 engine models.

MLT 1 ..... 7.58

### “Boss 302 Engine Modification Manual”

Outlines modifications to help race-build your Boss 302 engine for street or track use.

MLT 2 ..... 7.50

### “Boss 302 Chassis Modification Manual”

Gives specifications and modifications for improving the handling and braking of your Boss 302 Mustang, or set up your standard Mustang to the same specifications as the potent and legendary Boss 302 Mustangs.

MLT 3 ..... 7.50

## Mustang Original-Type Owner's Manuals



### Standard Mustang Owner's Manuals

An accurate, and excellent reproduction of the original owner's manuals that Ford supplied with each Mustang. Features proper colors, paper and printing. A perfect item for the final detailing of your favorite Mustang.

MLT OM65	1965	8.50
MLT OM66	1966	8.50
MLT OM67	1967	8.50
MLT OM68	1968	8.50
MLT OM69	1969	8.50
MLT OM70	1970	8.50
MLT OM71	1971	8.50
MLT OM72	1972	8.50
MLT OM73	1973	8.50

### Shelby Owner's Manuals

An accurate, and excellent reproduction of the original owner's manuals that Ford supplied with each Shelby model of Mustang. Features proper colors, paper and printing. Adds to the final essential detailing to put your Shelby Mustang into the winner's circle.

MLT OM65S	1965 GT350	10.05
MLT OM66S	1966 GT350	10.05
MLT OM67S	1967 Shelby	10.05
MLT OM68S	1968 Shelby	10.05
MLT OM69S	1969 Shelby	10.05
MLT OM70S	1970 Shelby	10.05

## “Off Highway Performance Parts”

Off Highway Performance Parts is a popular reprint of the original “Ford Performance Modifications & Parts Manual for most 1962-73 Ford engines.” Looks at modifications that were being performed on Dearborn's most popular engines during the famous muscle car era of the 60's and 70's.

MLT 4 ..... 12.63



# LITERATURE & MANUALS

## Special Guides & Manuals



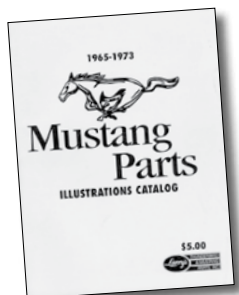
### Mustang Assembly Manuals

Mustang Assembly Manuals help you to accurately reassemble your Mustang during the restoration process. Each manual provides essential details and information specific to the particular area.

MLT AM1	64 1/2; Body Assembly	15.95
MLT AM2	64 1/2; Interior Assembly	15.95
MLT AM6	65; Body Assembly	15.95
MLT AM7	65; Interior Assembly	15.95
MLT AM11	66; Body Assembly	15.95
MLT AM12	66; Interior Assembly	15.95
MLT AM16	67; Body Assembly	15.95
MLT AM17	67; Interior Assembly	15.95
MLT AM21	68; Body Assembly	15.95
MLT AM22	68; Interior Assembly	15.95
MLT AM26	69; Body Assembly	15.95
MLT AM31	70; Body Assembly	15.95
MLT AM32	70; Interior Assembly	15.95

## 1965-73 Mustang Illustrated Manual

**Packed Full Of Illustrations  
To Get Your Job Done Right!**



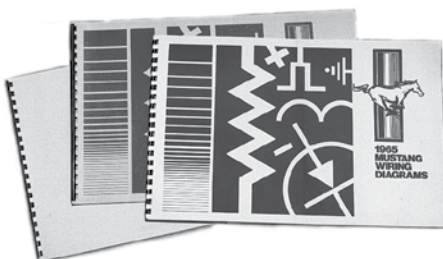
If you do any of your own work on your 65/73 Mustang you should not be without our detailed *Illustrations Manual!* Have a question about a certain part number or where that 'extra part' should fit? Our latest manual includes over 300 illustrations that detail every system on your Mustang, from Electrical, Cooling & Engine to Interior Trim, Exterior Trim, etc. Each illustration includes original Ford part numbers and special details for key systems. This book is a must have item for any enthusiast! We also offer these manuals for Thunderbird enthusiasts as well! Check the list below for your particular application.

65/73 Mustang  
Order MLT 19..... 7.50

## Shop Manuals

Shop Manuals are an essential ingredient to your restoration project as they contain complete information for proper servicing and maintenance of your Mustang.

MLT SM64	64; Supplement	8.50
MLT SM65	65; Orig. Ford Manual	39.95
MLT SM66	66; Orig. Ford Manual	39.95
MLT SM67	67; Orig. Ford Manual	39.95
MLT SM68	68; Orig. Ford Manual	39.95
MLT SM69	69; 5 Volume Set	56.51
MLT SM70	70; 5 Volume Set	59.54
MLT SM71	71; 5 Volume Set	59.54
MLT SM72	72; 5 Volume Set	59.54
MLT SM73	73; 5 Volume Set	59.54



### Mustang Illustrated Facts Book

*Mustang Illustrated Facts* books are a great source of important information about 1965-1973 classic Mustangs. Includes information about warranty plate data, specifications, equipment charts, options & accessories, as well as interior and exterior trim.

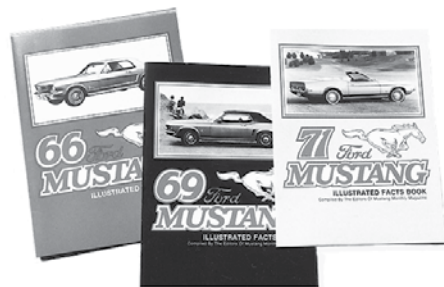
MLT FB65	1965	7.50
MLT FB66	1966	7.50
MLT FB67	1967	7.50
MLT FB68	1968	7.50
MLT FB69	1969	7.50
MLT FB70	1970	7.50
MLT FB71	1971	7.50
MLT FB72	1972	7.50
MLT FB73	1973	7.50



## Wiring Diagram Manual

Use our Mustang Wiring Diagram Manuals to direct you through the sometimes tricky parts of automotive electrical wiring. Each manual contains wiring diagrams or schematics for your year Mustang. Use this manual when you want to have your wiring restored correctly!

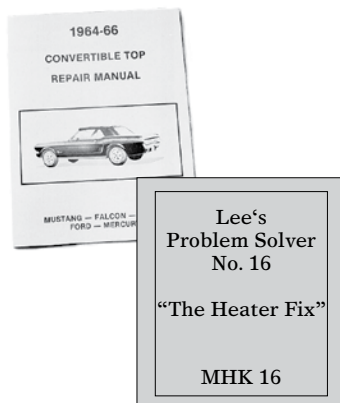
MLT WD64	1964	7.02
MLT WD65	1965	7.50
MLT WD66	1966	7.50
MLT WD67	1967	7.50
MLT WD68	1968	6.75
MLT WD69	1969	6.75
MLT WD70	1970	6.75
MLT WD71	1971	6.75
MLT WD72	1972	6.75
MLT WD73	1973	6.75



## Special Guides & Manuals

Use our handy Specialty Guides to direct you through your restoration project properly. These manuals save time and money as they detail the intricacies of the Convertible Top, Vacuum System, Heater and your Seat. No "do-it-yourself" Mustang owner should be without a set of highly detailed specialty manuals to keep in the workshop.

Convertible Top Repair Manual For 64/66 Mustangs.	MLT 5.....	7.50
Vacuum Schematic Diagrams For 1967 Model Year Mustangs.	MLT 7.....	7.45
Heater Repair Manual For 65/66 Mustangs.	MHK 16 .....	4.05



## 101 Projects for Your Mustang

Created with the weekend mechanic in mind, this illustrated and thorough manual offers 101 worthwhile projects to help maintain, restore, modify and enhance your 1964 1/2 -1973 Mustang. Inside is all the knowledge to succeed and the pitfalls to avoid, plus the costs associated with performing an array of projects. Presented in a clear, colorful, and concise format, this book allows you to quickly determine how each project will improve your Mustang, what tools and parts you'll need and the best step-by-step method for completion.

With more than 350 Full-color photographs and over 200 pages of top-notch information, *101 Projects for your 1964 1/2 -1973 Mustang* is a must-have resource for any owner of a Mustang from this era.

MLT 36..... Each 29.95

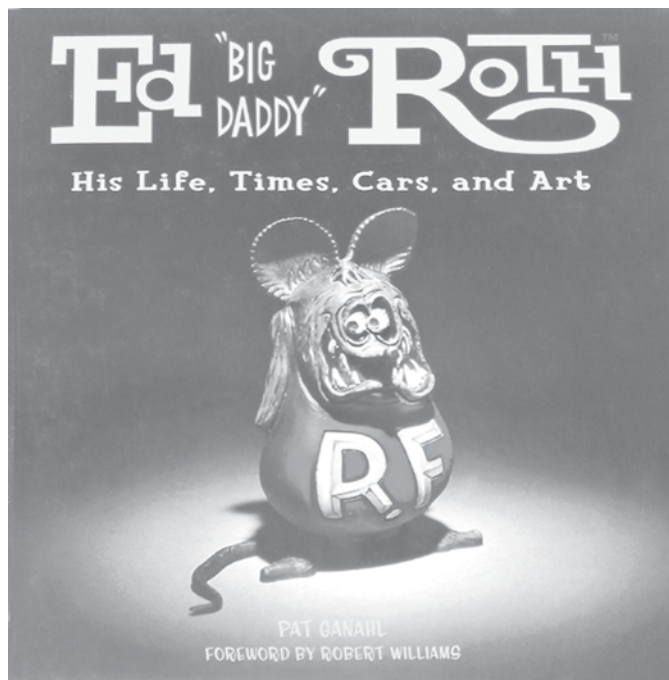


*Dedicated to Excellence*

The **How to Restore Your Mustang** books we offer can help you, the Enthusiast owner, restore your Mustang into a brilliant automotive jewel. These books detail how to restore each major component group chassis/suspension, brakes, steering, body, interior, and engine/drivetrain/differential. Techniques and restoration products for each system are discussed. These books can take your restoration project to a whole new level by providing comprehensive and insightful step-by-step instruction for many of the most important procedures of a restoration. With the illustrations and photography to accompany how-to instruction, these books can help you confidently restore your Mustang.

## Quantity Discounts on Your Purchases!

**5% On Orders Over \$500.00    10% On Orders Over \$1000.00**



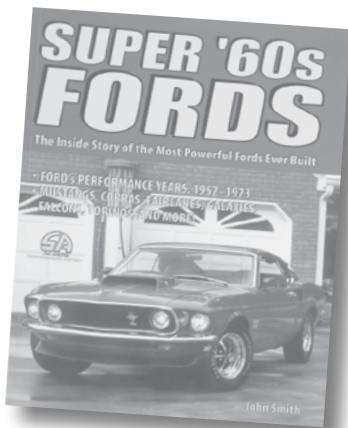
## 'Big Daddy' Ed Roth— His Life, Times, Cars and Art

Who was Ed Roth? The answer depends on who you ask and when they knew him. To some, he was a counter-culture, greasy-fingernailed, renaissance man of the mid-20th Century. To others, he's the creator of Rat Fink and builder of some of the most creative custom cars to ever get a coat of candy paint, cars like the Beatnik Bandit, the Mysterion, and the Outlaw. He was a force of nature and a creative genius whose work had a profound influence on popular culture and helped spawn numerous subcultures. Big Daddy's rise to fame began in the '50s, and peaked with the custom car boom of the early '60s. This book covers it all, from art to custom cars, and the wild life that brought it all together.

192 pages. 250 photos. Hardbound.

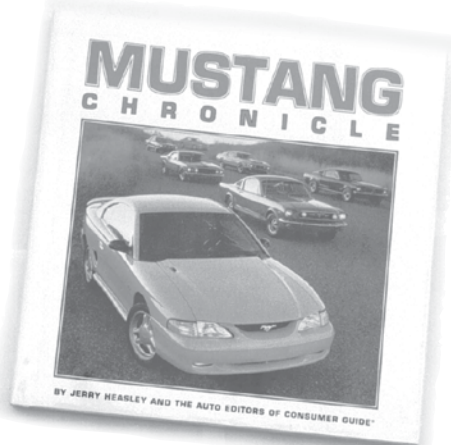
MLT 33..... 29.50

## Super '60s Fords— The Inside Story of the Most Powerful Fords Ever Built



This book covers the entire Ford performance story of the '60s. Covers models year by year, from the Supercharged T-birds of 1957 to the last gasp of the muscle car era in 1973, and everything in between. Performance engines and stats are listed for each year, as well as info on deciphering VIN tags and parts codes. 160 pages. 300 photos. Softbound.

MLT 29..... 25.20



## "Mustang Chronicle"

Mustang enthusiasts will appreciate the details offered in this comprehensive book featuring 112 pages of information dedicated to the model changes from each production year of the Mustang.

MLT 28..... 20.15



*Dedicated to Excellence*

Can't make a decision on the best gift? Larry's gift certificates are the solution. Ask our Sales Specialists for complete details

## Humphugger Console



The best way to keep all your 'stuff' in control and outta site! See Page 11 for complete details! Colors Available: Red (65/67), Dark Red (68), Maroon (69), Palomino, Parchment, Emberglow, Turquoise, White, Ivy Gold, Nugget Gold, Light Blue, Dark Blue (70/73), Ginger & Black.

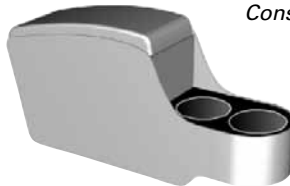
- M 04567E Coupe/Fastback .....225.00
- M 04567F Convertible .....225.00
- M 04567G Shift Boot..... 19.95

## Store your "Stuff" in a Center Console

Console Caddies and Tunnel Totes provide storage space as well as a cushioned armrest. Each one has dual size cup holders that will accommodate even the largest mugs. The Tunnel Tote is designed to be used on cars without consoles, while the Console Caddies sit on top of the existing console. Available in all original colors. *Specify Year, Body Style & Color when ordering.*



Console Caddy



Tunnel Tote

- |        |   |
|--------|---|
| MAC 4A | 1964 1/2 to '67<br>Fits factory console<br>.....89.95           |
| MAC 4B | 1964 1/2 to '73,<br>Tunnel Tote<br>Coupe & Fastback .....109.00 |
| MAC 4C | 1964 1/2 to '73,<br>Tunnel Tote<br>Convertible .....109.00      |

## Rotunda (Mustang) Tissue Dispenser Mounts Under Dash



MAC 13..... 84.95

## AutoLite® Battery Cover

The AutoLite® Battery Cover fits over the top of any Group 24 flat top battery. An economical solution to purchasing expensive AutoLite® Sta-Ful Batteries.

Includes (6) Caps, Decal and Plastic Cover. MAC 6..... 42.95

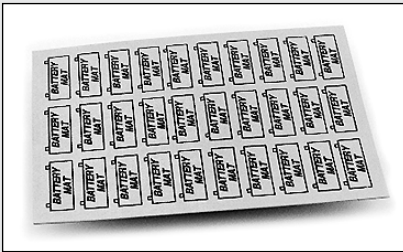


## Headlamp Bucket Grill Trim



M 13008GT 65/66; Chrome ... Pair 34.95

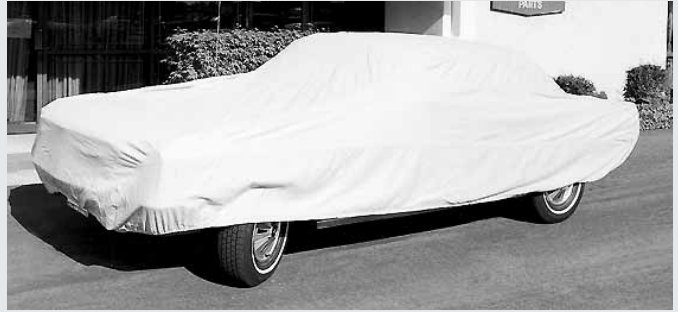
*Big Selection of Parts! Whether it's a hard to find part or a standard Thunderbird replacement part, Larry's has what you're looking for. Our inventory of parts is concours-quality. Give us a call if you can't find the parts you need. Our knowledgeable parts specialists will be happy to help!*



## Battery Mat® Helps Solve Problems Associated With Leaking Batteries!

Safe to handle and takes only a few minutes to install, the Battery Mat® helps dissolve battery acid before the acid can dissolve your car! Its hi-tech super-absorbant polypropylene needlepunch felt traps and contains acid while its powerful neutralizing agents work to counterbalance the hazardous effects of the acid. Spend a little now to help eliminate avoidable costly repairs further down the road!

MAC 23 Battery Mat® .....4.55



### Flannel & Cotton Poly Cover.

For enthusiasts requiring the softest cover, for indoor use only, our Flannel Covers are just what you need. High-quality construction, with complete attention to detail on seams and edges to help avoid scratches.

**Dura Lite Cover.** Dura Lite provides an excellent lightweight barrier against ultraviolet degradation, dust, and dirt. It's also water repellent.

**Premium Fabric Cover.** Specially engineered 4-layer fabric to provide the best protection against the elements. Microporous middle layer provides the ultimate combination of water resistance and breathability. The heavy-duty thickness provides superior impact absorption while the soft inner layer provides the best

protection against abrasion. Highly resistant to tears. Offers UV protection. Four-Year Limited Warranty

#### Flannel Covers (Indoor Use Only)

MCC 65C 65/70; Flannel ..... 175.00  
MCC 71C 71/73; Flannel ..... 175.00

#### Cotton Covers (Indoor/Outdoor Use)

MCC 65D 65/70; Cotton ..... 165.00  
MCC 71D 71/73; Cotton ..... 165.00  
MAC 1 Storage Bag ..... 9.95

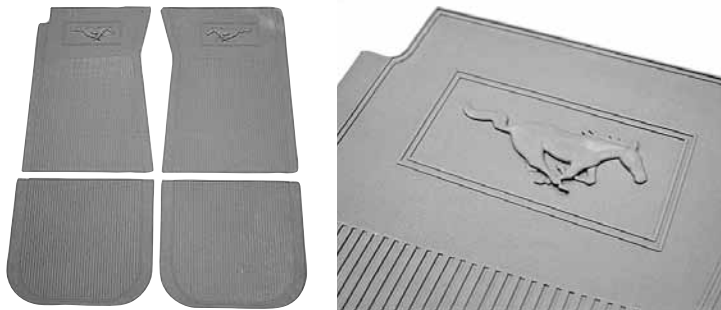
## Car Cover Antenna Grommet

A simple to use alternative to cutting a hole and a iron-on patch. This blue plastic grommet is easy to install with its two-piece snap-together design.

MCC 02..... Each 2.68

## Car Cover Custom-Fit Floor Mats Help Preserve Your Carpet's Like-New Appearance!

A good set of Floor Mats are essential if you want to keep your Mustang's carpet looking fresh all year long. Our Original-Style Floor Mats are manufactured to the exact specifications as those offered when your Mustang rolled off the dealer's lot, or try our Carpet/Rubber Combination which adds a more modern look.



### Original-Style Rubber Throw Mats - A Solid Investment!

Made of heavy-weight rubber (almost 18 lbs. worth!) and fits years 1965 through '73. These are the ultimate in mats for your Mustang!

M 13106BK Black, Front & Rear ..... Set 59.95  
M 13106BN Brown, Front & Rear..... Set 59.95  
M 13106MB Medium Blue, Front & Rear..... Set 59.95  
M 13106GN Green, Front & Rear ..... Set 59.95  
M 13106MN Maroon/Dark Red, Front & Rear... Set 59.95  
M 13106RD Bright Red, Front & Rear..... Set 59.95

### Black Carpet Throw Mats -

Made of high quality nylon/rayon mix for durability and comes with the silver Running Horse and red, white & Blue stripes embroidered on the fronts.

M 13106X..... Set 115.95





## Car Capsule



The Car Capsule provides your Mustang a dust-free, clean and dry controlled environment, away from dings and scratches. A perfect way to protect your car during short or long-term storage. Car Capsule removes moisture and prevents condensation formation. Fan motor is rated for 5 years of continuous operation. 2-Year Manufacturer's Warranty.

MCC 01A..... 382.79



MDF 266



MDF 388

## "Mustang" Decals

Decals can be used on your show information signs, cars, toolboxes, etc.

MDF 266	"Ford Mustang Decal" 3" Dia.; Blue/Red/Gold.....	3.85
MDF 388	Flag Decal 6" Tall; Red/White/Blue .....	6.75



*Dedicated to Excellence*



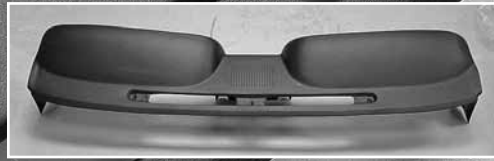
## Original Style Luggage Rack

Our Luggage Rack is the perfect addition to your Mustang's exterior restoration project to replace a worn original or accessorize your car with a factory option. Easy to install in short amount of time with included hardware and instructions.

M 55100A	65/68; Coupe & Conv. ....	179.95
----------	------------------------------	--------

## Have A New-Looking Dash Again With The Mustang Dash Cap!

Install The Dash Cap Instead Of An Expensive Complete Dash Replacement!



This is a Dash Skin designed to snap over the original dash to hide cracks and blemishes. Once installed, it renews the old dash area and gives the interior new life. Looks just like the original! Easy to install and may be dyed to the color of your interior (Available in Black Only). Comes with Installation Instructions.

MDC 65	65.....	77.72
MDC 66	66.....	77.72
MDC 67	67/68.....	77.72
MDC 69A	69/70; With Air Conditioning.....	80.75
MDC 69	69/70; Without Air Conditioning.....	80.75
MDC 71	71/73.....	77.72

Can't make a decision on the best gift? Larry's gift certificates are the solution for your dilemma! Ask our Sales Specialists for complete details

M 18240D



M 18240A

M 18240B

Limited Quantity Available

## License Plate Frames

Available 1965-73. Specify Year & Quantity when Ordering.

M 18240A/I License Frame Each .....7.95  
See Page 125 For Attaching Parts Kits  
MHK 26, 99 183.



## Dash Mat Extends the Life of Your Mustang's Expensive Dash Area!

The sun's ultraviolet rays, as well as the heat generated from them are extremely damaging to your Mustang's dashboard area. The best way to prolong the life of a dashboard, and do so in a tasteful way is a Custom-Fit Dash Mat. Each Dash Mat is manufactured from durable fabric, with clean sewn edges and all cutouts necessary for your particular dash application. Available in the following colors: Black, Blue, Red, Lt. Blue, Maroon, Green, Tan, Dark Tan & Gray. Be Sure to Specify Year & Color when ordering.

MDM Dash Mat ..... 33.23

**Big Selection of Parts! Whether it's a hard to find part or a standard Thunderbird replacement part, Larry's has what you're looking for. Our inventory of parts is concourse-quality. Give us a call if you can't find the parts you need. Our knowledgeable parts specialists will be happy to help!**



## Larry's Logo Hats



MAP H1



MAP H2



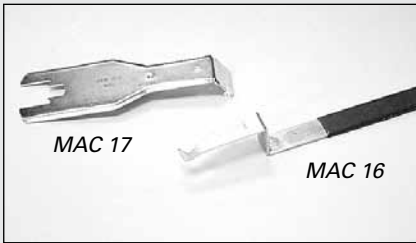
MAP H3

MAP H1	Blue .....	Each	14.95
MAP H2	Black .....	Each	14.95
MAP H3	White .....	Each	14.95

# ACCESSORIES

## Ignition Switch Bezel Tool

M 11584T 69; ..... Each 19.14



### Window Moulding Removal Tool Offers Professional Results!

To make your job of removing window moulding easier you'll want to pick up our tool designed especially for this purpose. After using it you'll find the results quite remarkable. Why not save time and frustration right from the beginning by using the correct tool!

MAC 16 Moulding Removal Tool ..... Each 9.04

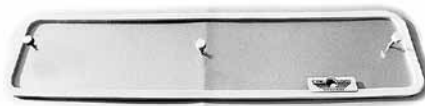
### Why Skin Up Your Knuckles When You Can Remove Your Door Handles The Proper Way?

Ever wonder why you went ahead and attempted to remove that stubborn clip-on type door handle, only to find that you slipped and put a big tear in your expensive upholstery? There is an easy way to get things done properly, without frustration. Our Door & Window Handle Removal Tool is made especially for what its name implies - to remove the clips that hold the door and window handle in place. This tool makes your life easy with virtually no chance of tearing door panel upholstery.

MAC 17 Door Handle Tool ..... Each 10.05

## Tote Bag

MAC 18A Plaid..... Each 24.95  
 MAC 18B Speckled ..... Each 20.75  
 BAC 01F Black Vinyl ..... Each 24.95



### Use a Cowl Cap to help prevent Rust & Corrosion!

The cowl area on Mustangs seems to be a magnet for water, leaves, dirt and eventually rust. You can help fight off the buildup of these elements by using a Cowl Cap. These tough acrylic caps fit over the slots on the hood area in front of the windshield, keeping out unwanted debris. Cowl Caps are easy to install. No drilling is required. Simply tighten wing-type hardware between slots and you are set. Bottom side of cap has soft foam layer to prevent scratches. This is a great investment to help ward off costly rust repair\*.

M 02010A 65/66 Cowl Cap ..... 30.25  
 M 02010B 67/68 Cowl Cap ..... 30.25  
 \*See Page 52 For Cowl Repair Kit #01936/7-A.



### Door Hinge Spring Compressor

Use this special tool to compress the springs on your door the simple and safe way. Includes instructions for proper operation and applications.

MAC 25 Spring Compressor ..... 21.95

### Door Panel Removal Tool

Make your job of removing your Mustang's door panel easier and safer with our Door Panel Removal Tool. When used correctly, your door restoration project can be performed easily and efficiently.

MAC 11 DoorTool Panel ..... 9.25

### Mustang Logo Keys & Custom Key Fobs



MAC 40



M 22051A

Keep your keys in place, in style, with our latest selection of Mustang Key Fobs. Each Fob is made of top-quality materials, with special attention to detail. Choose either the Stainless Finish, or any of our Custom Brass Fobs. Mustang Logo Key Blanks can be cut to use on your Mustang's original locks.

MAC 40 Polished Stainless, With Mustang Logo On Both Sides.....Each 7.50  
 M 22051A 65/66; Ignition & Trunk Keys, As Original ..... 3.95  
 M 22051B 67/73; Ignition & Trunk Keys, Dual-Side, with Pony on one side and FORD on the other ..... 4.98



Larry's gift certificates make great gifts! Ask our Sales Specialists for complete details

## Restoration Parts & Accessories Catalogs



### 1955-57 Thunderbird

Our "Little Bird" Parts & Accessories Catalog features more parts, photos and illustrations than ever before. We continue to offer the finest quality selection of parts and upholstery in the industry. If you are looking for that special part, you need this catalog!

TPL 55-57 Thunderbird.....Free

### 1958-66 Thunderbird

We have combined our 58-60 and 61-66 Parts & Accessories Catalogs into one new book with many new parts and illustrations. Ask for our latest catalog for the 'SquareBird' and 'Big-Bird' Thunderbirds.

BPL 58-66 Thunderbird.....Free

### 1954-57 Passenger Cars

A large inventory of quality parts at outstanding prices is what you'll find in our Ford Passenger Car Catalog.

PPL 54-57 Passenger Cars .....Free

**Can't make a decision on the bestgift? Larry's giftcertificates are the solution for your dilemma! Ask our Sales Specialists for complete details**



## One Grand® Car Care Products Offer The Ultimate Show Finish!

If you want an exceptional car care system that you can use on your Mustang, whether you plan on entering car shows or for everyday driving, One Grand® products is the ticket. We have found One Grand to be one of the finest systems on the market. Tests on our own vehicles convinced us that One Grand produces a glaze, polish, cleaner or wax for just about every finish. Products are easy to use and are backed by a technical information line. Many concours-winning detailers use One Grand Products exclusively! When you are ready for the ultimate finish, use One Grand!

### Paint Polishes

**Glaze • High-Gloss paint Polish**  
For hand or machine use. Removes swirls, fine scratches and light oxidation.  
TCC 01 16oz. Bottle..... 14.95

**Omega Glaze® • Concours Finishing Polish**  
Excels at show or concours level. Use by hand or machine to produce a finish that has outstanding depth and clarity. For best results follow w/ Blitz Wax.  
TCC 02 16oz. Bottle..... 14.95

### Paint Cleaners

**Special Touch® • Non-Abrasive Cleaner**  
Cleans chemically and works well on clear coats. Removes light scratches, water spots, tree sap, light oxidation, and other surface pollutants safely.  
TCC 03 16oz. Bottle..... 14.95

**Reseal Cleaner • Oxidation Remover**  
Light liquid compound removes oxidation and transforms a dull finish into a bright shining finish.  
TCC-04 16oz. Bottle..... 12.50

### Specialty Polishes

**Chrome Polish • Rust Remover & Metal Polish**  
Recognized in the industry for over 60 years as the best at cleaning chrome or any pure hard metal.  
TCC-06 16oz. Bottle..... 12.50

**Plastic Polish • Cleans & Conditions Plastic**  
Cleans and protects all plastic, lexan, leaterette and wood surfaces. Use on convertible windows to keep them pliable and remove yellowing.  
TCC-07 16oz. Bottle..... 14.95



### Dressings

**Do It All+® • All Purpose Protectant**  
Safe for interior or exterior rubber, vinyl, plastic leather and leatherette surfaces. Use to preserve, restore and protect. Will not turn tires brown, chalk out plastic or crack the applied surface.

TCC-09 16oz. Bottle..... 11.45

**ERV Dressing • For Exterior Rubber & Vinyl**  
Safe and effective at preserving & protecting exterior rubber, vinyl and trim from harmful elements. Will not crack, chalk out or turn surfaces brown.

TCC-11 16oz. Bottle..... 12.75

### Specialty Cleaners

**Glass Cleaner • For A Non-Streak Finish!**  
Guaranteed not to streak, smear or leave a film. Safe for tinted windows.

TCC-12 16oz. Bottle..... 8.27

**All Purpose Cleaner**  
Cleans vinyl seats, door panels, dashboards and headliners. Great engine degreaser. Perfect for soiled carpets and fabrics.

TCC-13 16oz. Bottle..... 8.27

**White Wall Cleaner**  
Your best product for clean whitewalls! Easy to use!

TCC-15 16oz. Bottle..... 8.27

### Waxes & Preservers

**Blitz® Wax • Carnauba Paint Preserver**  
Ease of application and great results make waxing your vehicle a joy. A must for dark colors!

TCC-16 10oz. Tube..... 21.95

**Clean 'n Wax • Cleaner, Polish & Wax In One!**  
An easy 1-step formula that cleans and protects your vehicle's paint when you don't have time to go through the whole detailing process.

TCC-17 16oz. Bottle..... 15.25

### Specialty Soaps

**Wash & Wax • pH-Balanced Car Was Soap**  
Will not strip off canauba waxes, streak or smear. Rinses easily and leaves no waterspots.

TCC-18 16oz. Bottle..... 7.23

**Upholstery Shampoo**  
A mild, deep-cleansing shampoo that works great on leather, leatherette, velour and fabric interiors. Will not fade or dry leather. Works great on carpets as well.

TCC-19 16oz. Bottle..... 8.27

# RADIO

## 1965-73 In-Dash Radios

The AM/FM Radio featured in our catalog are custom designed to fit into your Mustang's dash without any modifications or changes to the original dash area. We offer a full-line of audio components, from basic to top-of-the line models featuring the latest in audio technology. Guarantee: All radios featured in this catalog are guaranteed against defects in workmanship for one year. Units requiring repair or replacement must be returned to the manufacturer in accordance with that manufacturer's warranty policy. Larry's Thunderbird & Mustang cannot exchange for defective units.

Note:  
Radios Are Not Designed to  
Replace 8-Track Players.

*\*Please Note: On Foreign Frequencies, Radios May Not Be Compatible. Some Adjustment On Radio May Be Required Per Individual Country Frequency.*

MRD 107	65/66; Ken Harrison Chrome Face .....	Each	195.50
MRD 207	67/73; Ken Harrison Chrome Face .....	Each	195.50
MRD 166	64/66; Original Look with Modern Sound.....	Each	299.00

## Original Look With Today's Sound!

### MRD 166

Features Include:

- 200 Watts
- Separate base and treble
- 4 Channel RCA Pre-outs
- Auxiliary Input for direct connection to today's audio
- Front/Rear Fader
- Left/Right Balance Control
- Metal knobs and metal plated nose piece
- Perfect fit for 64 1/2 to 66 Mustang.

299.00



MRD 107



MRD 207

### MRD 107 65/66

### MRD 207 67/73

195.50

Features Include:

- Separate Bass & Treble
- 4-Way Fader
- 16 Presets (12FM / 4AM)
- Manual Tuning
- Preset Scan
- Seek Auto Tune
- Auto Store
- Auto Stereo-Mono

- PLL Synthesizer Digital Tuner
- Power Antenna Lead
- LCD w/Green Illumination
- RCA Pre-Outs
- Front and Rear Auxiliary Inputs
- USB Connection
- Clock
- 100 Watts (25x4)
- Available in Chrome

## Retro Sound New! Classic Sound



### Features and Specifications:

- Front Aux input, plug in any MP3 player or other portable device, cell phone, etc)
- LCD Display w/ enhanced viewing angle & daylight display compatible with Clock Function
- AM/FM PLL tuner w/30 presets
- 60W x 4 (Integrated amplifier)
- 2pr RCA pre amp outputs to add an external amplifier
- Patent Pending INFINIMOUNT adjustable shaft system w/ removable Universal bracket (included)
- Insulated bracket system and external shaft system reduces electrical noise inherent in older vehicles
- Adjustable faceplate angle, allows mounting of faceplate display to virtually any dash
- Small 3.55" w X 6.57" d X 1.55" h installation size

MRD 65A 1964-66; Mustang Kit With Metal Knobs ..... 199.95  
 MRD 67A 1967-73; Mustang Kit With Metal Knobs..... 199.95



- LCD Display w/ enhanced viewing angle & daylight display compatible with Clock Function
- LCD shows MP3/WMA track names
- AM/FM PLL tuner w/30 presets
- 60W x 4 (Integrated amplifier)
- 2pr RCA pre amp outputs to add an external amplifier
- REAR mounted USB port, plug in any USB flash drive and play MP3/ WMA files
- Patent Pending INFINIMOUNT adjustable shaft system w/ removable Universal bracket (included)
- Full Function 18 key IR remote control
- Main unit is remote mountable and comes with a metal U bracket for mounting under the seat or a glove box
- Adjustable faceplate angle, allows mounting of faceplate display to virtually any dash
- Small 3.55" w X 6.57" d X 1.55" h installation size

MRD 65B 1964-66; Mustang Kit With Metal Knobs ..... 289.95  
 MRD 67B 1967-73; Mustang Kit With Metal Knobs..... 289.95



*Dedicated to Excellence*

Larry's gift certificates make great gifts! Ask our Sales Specialists for complete details

## Kick Panels with Built-In Audio System Speakers

- Designed to fit into existing factory kick panel location without modification.
- High-quality speakers provide outstanding sound



A great solution for forward-mounted speakers in your Mustang as no modifications are required for installation. Simply remove existing kick panels and replace. Speakers include typical plug-type connects for quick and easy installation.

MRD KP65	1965-66; Coupe; 2-Way .....	Pair	131.25
MRD KP65C	1965-66; Convertible; 2-Way.....	Pair	131.25
MRD KP67	1967-68; Coupe; 2-Way.....	Pair	131.25
MRD KP67C	1967-68; Convertible; 2-Way.....	Pair	131.25
MRD KPU65	1965-66; Coupe; 3-Way speakers! The ultimate! .....	Pair	191.85
MRD KPU65C	1965-66; Conv.; 3-Way speakers! The ultimate! .....	Pair	191.85
MRD KPU67	1967-68; Coupe; 3-Way speakers! The ultimate! .....	Pair	191.85
MRD KPU67C	1967-68; Conv; 3-Way speakers! The ultimate! .....	Pair	191.85

### Already Have Speakers? Buy Kick Panels with Pre-Cut Holes!

MRD KP65B	1965-66; Coupe/Fastback .....	Pair	76.71
MRD KP65CB	1965-66; Convertible.....	Pair	76.71
MRD KP67B	1967-68; Coupe/Fastback.....	Pair	76.71
MRD KP67CB	1967-68; Convertible.....	Pair	76.71
MRD KP69B	1969-70; Coupe/Fastback .....	Pair	90.00
MRD KP69BC	1969-70; Convertible.....	Pair	90.00
MRD KP71B	1971-73; Coupe/Convertible .....	Pair	82.95

## Dual Voice Coil Upgrade Speakers (Dash-Mount)



**DVC-1001UP Speaker**  
4" x 10" 2-Way 2-Channel Speaker • 140 Watts Peak Power • 4 Ohm Impedance • Sensitivity 93dB 60 Hz • 20KHz • 12 oz. Magnet



Get the best quality sound possible from your original dash speaker location with this dual voice coil speaker. Speaker has up to 70% more cone area than the conventional dual speaker setup. This will give you improved bass response and power handling (120 watts). Both stereo channels connect directly to one speaker. This is the best sound solution for the original dash location we have found.

### 120 Watt Speakers

DVC-1003	67/68, w/air	
	71/73.....	79.95
DVC-1005	69/70.....	45.40

### 140 Watt Speakers

DVC-1001UP	64/66.....	50.45
DVC-1005UP	69/70.....	50.45

## Retro Sound Original Replacement Speakers



MRD-S 13

MRD-S 14

RetroSound replacement speakers have set the industry standard in OEM for your classic vehicle! Designed and tooled from the ground up, the speakers meet the demand of today's high performance amplifiers while maintaining factory dimensions for original location mounting and are compatible with all digital music sources. The "N" Series features 3 models that feature ultra thin 1.77" mounting profiles to fit in virtually any installation application. These 3 models with neodymium magnet structures which are 5 times more powerful than standard speaker magnets, allowing for a substantial reduction in mounting depth and feature enhanced power handling and heat dissipation characteristics.

MRD-S 13	4x10" DVC Speaker with neodymium magnet & ultra thin chrome basket .....	Each 59.95
MRD-S 14	5x7" DVC Speaker with neodymium magnet & ultra thin chrome basket .....	Each 79.95
MRD-S 15	6x9" DVC Speaker with neodymium magnet & ultra thin chrome basket .....	Each 59.95

## Dash-Mount Dual Speakers by Kenwood

Improve the sound of your audio system, without modifications! This speaker set handles 50 watts of power and enhances the sound produced by your other speakers.

Model S07	65/66;	
	Per Set.....	70.65
Model S08	67/73; w/AC	
	Per Set.....	79.95
Model S09	67/73; w/o AC	
	Per Set.....	79.95



## OEM Style Speakers

M 18808A



M 18808A	65/66; Front (AM Radio).....	Each	14.95
M 18808B	65/66; Front Door (Stereo) 4" x 8" ....	Pair	24.24
M 18808D	72; Front (AM w/3.2 Ohm System) 5" x 7" .....	Each	20.15
M 18808E	69/73; Front Door .....	Pair	40.35

## 6" x 9" Parcel Shelf Speakers Pump Out the Sounds In Your Mustang!

Parcel Shelf Speakers are one of the most popular ways to mount speakers in the rear of many vehicles, including Mustangs. Our new 6 x 9" Parcel Shelf Speaker Kit are essentially 3 speakers in one: Woofer, Mid-Range & Tweeter! Easily handles 80 watts of power for clear sound.

**Model S-06** 65/73 ..... Pair 60.55

## Speakers to fit in your 1967-68 Mustang's doors- Without Modifications!

When it's time to upgrade the speakers in your Mustang's door, choose the 4" x 6" 2-way speaker (30 watts) designed for 1967/68 Mustangs. Easy installation without modifications.

**Model S-10** 4 x 6" 2-way/30W ..... Pair 40.35



*Dedicated to Excellence*

Larry's gift certificates make great gifts! Ask our Sales Specialists for complete details

## Antennas, Radio Bezels & Door Grilles

### Dash Repair Panels for Radios

MRD LMR-PPB	65/66; Steel.....	19.95
<b>M 04772/3</b>	<b>Radio Side Trim Panel</b>	
M 04772A	69/70 ..... Pair	23.18
<b>M 04774</b>	<b>Radio Panel Center Bezel</b>	
M 04774B	69/70; Black .....	29.50
M 04774C	71/73; Woodgrain, With Gauge Holes .....	Each 179.95
M 04774D	71/73; Woodgrain, Without Gauge Holes .....	Each 139.95
M 04774E	71/73; Black, With Gauge Holes.....	Each 189.95



MRD LMR-PPB Dash Repair Panel



M 18842B Bezel



M 04774B Bezel

### Door Speaker Wire Loom

M 13769B	65/66; Pony Interior, Door Lamp & Speaker .	Each	32.27
M 13769C	67; Deluxe Interior, Door Lamp & Speaker .	Each	32.32
<b>M 18813</b>	<b>Radio Antenna</b>		
M 18813A	65/67; Repro. Of Original.....	21.95	
M 18813B	68 .....	19.14	
M 18813C	69/72; Replacement.....	21.95	
M 18813D	71/72; Exact Repro.....	74.69	
M 18813E	73; Exact Repro.....	74.69	
M 18813F	73; Mast Only.....	22.17	

See Page 125 For Attaching Parts Kit MHK 417

<b>M 18832</b>	<b>Radio Voltage Regulator Capacitor</b>		
M 18832A	66/73 .....	Each	61.15
<b>M 18842</b>	<b>Radio Bezel</b>		
M 18842A	67/68; Without Console.....	58.25	
M 18842B	71-73; Radio/Heater .....	69.50	
<b>M 18919</b>	<b>Antenna Base Pad</b>		
M 18919A	65/67 .....	Each	2.09
<b>M 18978</b>	<b>Door Speaker Grilles</b>		
M 18978A	69/70 .....	Pair	39.34
M 18978B	71/73; RH or LH.....	Each	21.16

## Original Style Door Panel Grille

An authentic reproduction of original Door Panel Grille.

MRD MS-MSG  
65/66 ..... Pair 49.95  
See Page 125 For Attaching Parts Kit MHK 176



## Door Lower Moulding

These Aluminum moldings exact copies with polished edges and semi-gloss black recessed areas. Has cutouts for door courtesy lights and speakers. Black dust screen over speaker holes installed. Original equipment on all 1967-1968 cars with deluxe interior and/or optional radio. Also fits 1964-1966.

**M 20956** Door Lower Moulding  
M 20956A 67/68; Deluxe Interior..... Pair 141.35



# PAINT & DYES

## Engine Compartment Detailing Paint\*

Here's a quick way to make your engine compartment look new again! A new coat of Engine Compartment Black Paint will enhance the appearance of your engine, as well as protect vital components from rust and the elements. Matches original Ford color and shine consistency.

<b>MPT 640 Engine Black*</b> (13 oz. Can) All Years/Models .....	6.95
<b>MPT 1752 Power Steering Pump Blue*</b> (13 oz. Can) 65/66 .....	8.03
<b>MPT 1753 Grille Gun Metal Blue*</b> (13 oz. Can) 64/65 .....	9.04

## Factory-Matched Engine Detailing Paint\*

All paints featured by Larry's are color-matched to original Ford factory specifications and are easy to use. Paints are heat resistant to offer years of extended use when applied properly. All spray cans come in 11 oz. size, with directions for proper application.

<b>MPT 1612 Black</b> '65; All Engines (Block, Heads, Intake Manifold) .....	7.50
<b>MPT 1909 Ford Light Blue</b> '64 1/2; 260 8-Cylinder (Air Cleaner & Rocker Covers) .....	7.50
<b>MPT 1705 Ford Gold</b> '65; 289 8-Cylinder (Air Cleaner & Rocker Covers) .....	7.50
<b>MPT 1923 Ford Dark Blue</b> '66/73; All Engines (All Engine Parts Applicable)	7.50
<b>M 19000A Argent (Silver)</b> '65/73; All Engines (All Engine Parts Applicable)	8.50

## Trunk "Splatter" Paint

When restoring your trunk area, be sure to use paint that gives you the proper "splatter" pattern. Easy to use, yet gives a factory-type appearance. Thoroughly clean and prepare trunk area before painting for proper results.

MPT 100 71/73 Gray & White..... Each 8.03



## GT Wheel Paint

Give your 65/67 GT Wheels a like-new luster with a coat of our GT Wheel Paint. Formulated to match the original factory look. Used on inset sections of GT Wheels that were finished in metallic charcoal. Also protects those expensive wheels from rust and pitting along the way.

M 1007S GT Wheel Paint for '65/67 GT Wheels..... Each 8.95

## Factory-Matched Interior Vinyl Dye\*

You are assured of getting a great color match with our Interior Vinyl Dye because each color is specifically formulated and matched to original Mustang interiors. Specify Item Number, Year & Color of car when ordering. (See Chart at right for correct year & colors required). For best adhesion of vinyl dyes we recommend using the Vinyl Prep Agent to prepare surface.

<b>MVD K Interior Vinyl Dye Kit*</b> (13 oz. Can) (Kit Includes 13 oz. Vinyl Prep) .....	17.85
<b>MVD Interior Vinyl Dye Only*</b> (13 oz. Can) .....	9.75
<b>MVD 100 Interior Vinyl Prep Only*</b> (13 oz. Can) .....	9.75

## Factory-Matched Interior Enamel Paint\*

Our Interior Enamel Paint is a necessity in touching up scratches or worn areas on steering columns, door metals, dash areas, consoles or any other area that needs a new coat of paint. Specify Item Number, Year & Color of car when ordering. See chart at right for Correct Year & Colors.

<b>MPT Interior Enamel Paint*</b> (13 oz. Can) .....	8.95
---	------

## Cast Blast

High-performance coating suitable for heads, blocks, or other cast iron parts, restoring them to their original lustre. Cast Blast prevents rust, is quick drying, and durable.

<b>TPT CB Cast Blast*</b> (12 oz. Can) .....	10.35
---	-------

## Vinyl Dye & Enamel Application Chart

Year/Color	Interior Lacquer	Vinyl Dye
<b>1965</b>		
65 Black	MPT L10	MVD 10
65 Lt. Blue (Pony Int.)	MPT L5	MVD 5
65 Med. Blue (Std. Int)	MPT L6	MVD 6
65 Light Ivy Gold	MPT L11	MVD 11
65 Medium Ivy Gold	MPT L44	MVD 44
65 Palomino	MPT L30	MVD 30
65 Red	MPT L1	MVD 1
65 Turquoise (Pony Int.)	MPT L20	MVD 20
65 White	MPT L7	MVD 7
<b>1966</b>		
66 Aqua	MPT L13	MVD 13
66 Black	MPT L10	MVD 10
66 Light Blue	MPT L5	MVD 5
66 Medium Blue	MPT L6	MVD 6
66 Dark Blue	MPT L24	MVD 24
66 Ember Glo	MPT L15	MVD 15
66 Light Ivy Gold	MPT L11	MVD 11
66 Medium Ivy Gold	MPT L44	MVD 44
66 Parchment	MPT L4	MVD 4
66 Red	MPT L9	MVD 9
66 White	MPT L7	MVD 7
<b>1967</b>		
67 Light Aqua	MPT L13	MVD 13
67 Medium Aqua	MPT L42	MVD 42
67 Black	MPT L10	MVD 10
67 Charcoal Black	MPT L19	MVD 19
67 Light Blue	MPT L5	MVD 5
67 Dark Blue	MPT L24	MVD 24
67 Light Ivy Gold	MPT L11	MVD 11
67 Medium Ivy Gold	MPT L44	MVD 44
67 Parchment	MPT L12	MVD 12
67 Red	MPT L9	MVD 9
67 Saddle	MPT L26	MVD 26
<b>1968</b>		
68 Light Aqua	MPT L13	MVD 13
68 Medium Aqua	MPT L42	MVD 42
68 Black	MPT L10	MVD 10
68 Charcoal Black	MPT L19	MVD 19
68 Light Blue	MPT L5	MVD 5
68 Dark Blue	MPT L24	MVD 24
68 Light Ivy Gold	MPT L11	MVD 11
68 Medium Ivy Gold	MPT L44	MVD 44
68 Light Nugget	MPT L14	MVD 14
68 Dark Nugget	MPT L34	MVD 34
68 Parchment	MPT L12	MVD 12
68 Red	MPT L16	MVD 16
68 Saddle	MPT L26	MVD 26

**\*Unfortunately we cannot ship paints, dyes or other hazardous materials by air delivery or to any foreign countries.**

# INDEX

Accessories.....	141-145	Emblem Kits .....	77, 133, 134	Lamp Gasket Kits.....	67, 116	Stop Light Switch .....	19
Air Cleaner .....	50	Engine Dress Up Kits.....	36	Landau Top.....	11	Stripe Kits.....	90
Air Conditioner Kit.....	89	Engine Fastener Kits.....	33	Leaf Spring .....	22	Strut Rod.....	21
Alternator .....	63	Engine Paints.....	38	Main Wire Loom .....	58	Suspension Arms .....	21
Arm Rest .....	97	Equalizer Bar .....	41	Manuals .....	135-140	Suspension Bumpers .....	20
Arm Rest Pad.....	9/97	Exhaust Hangers .....	29	Master Cylinder Cap.....	17	Sway Bar.....	22
		Exhaust System .....	31, 32	Mirror Pads .....	117		
		Export Brace .....	76	Mirrors.....	85		
				Monte Carlo Bar .....	76		
Back Up Lamps.....	70	Fan Shroud .....	43			Tail Lamp Lens .....	69
Back Up Switch.....	42	Fender Cover .....	75	Neutral Safety Switch.....	40	Tail Lamp Bezels .....	69
Ball Joints.....	20	Fenders.....	76			Tailpipe Tips.....	30
Battery.....	64	Firewall Insulator .....	54	Oil Filler Caps.....	35	Tie Rod Ends.....	24
Battery Tray.....	64	Flasher Switch .....	59	Oil Pan .....	34	Tonneau Cover.....	11
Belt Kits.....	93	Floor Mats .....	3			Top Boot .....	111
Body Panels.....	120-123	Fog Light Bars.....	46	Package Tray .....	12	Top Switch.....	59
Brake Booster.....	16	Front End Kits .....	20	Padded Dash .....	54	Top Weatherstrips .....	113
Brake Cable.....	19	Fuel Pump.....	37	Paint.....	151	Transmission Lines.....	39
Brake Caliper.....	17	Fuel Sender.....	49	Park Lamp Body .....	68	Transmission Parts .....	39
Brake Drums .....	16	Fuel Tanks .....	47	Parking Brake Handle.....	19	Trunk Lid .....	106
Brake Hoses .....	16	Fuses.....	72	Patch Panels.....	80	Trunk Lock Set .....	108
Brake Lines .....	18			Pertronix Ignition.....	65	Trunk Mats.....	109
Brake Pads.....	16	Gano Filter .....	44	Plug Kits.....	115	Turn Signal Lever .....	71
Brake Pedal Pads.....	18	Gas Caps.....	48, 105	Pony Door Trim Panels.....	9		
Brake Springs.....	16	Gas Pedal.....	51	Power Steering Hoses .....	27		
Bumper Arms.....	86	Generator .....	63	Power Steering Pumps.....	26	U-Joints .....	28
Bumpers .....	86	Glove Box .....	57			Upholstery Installation Kit	7
		Glove Box Door .....	57	Quarter Panel Extensions..	103		
		Grille Ornaments.....	45, 130	Quarter Panel Ornaments .	132	Valve Covers.....	34
		Grilles.....	44	Quarter Panels.....	103	Vinyl Roof .....	112
				Quarter Trim Covers.....	11	Visor Arms .....	53
Car Care Products .....	146	Hardware.....	124, 125	Radiator Caps .....	43	Visors Arms & Brackets ....	10
Car Covers.....	142	Head Lamp.....	68	Radiators.....	43	Visors.....	10, 53
Carpet.....	2,3	Headers .....	30	Radio Bezel .....	61	Voltage Regulator .....	63
Choke Tube .....	51	Headlight Switch.....	58, 67	Radios.....	147, 150		
Cigarette Lighter.....	59	Headliners.....	12, 112	Rear Axle Parts .....	28	Washer Bag .....	84
Clutch Parts .....	42	Heater Chamber.....	88	Rear Spoiler.....	108	Water Pump .....	46
Coat Hooks.....	12, 103	Heater Core .....	88	Rear Valance.....	107	Watershields .....	8
Coil.....	65	Hood .....	79	Rocker Panel Mouldings....	132	Weatherstrip .....	116-119
Coil Spring .....	22	Hood Bumpers .....	79			Wheel Bearings.....	15
Console .....	56	Hood Moulding .....	80	Scuff Plates.....	13, 91	Wheel Covers .....	14
Console Caddie.....	62	Horn Ring.....	71	Seat Belts .....	7, 114	Wheel Opening Moulding..	104
Convertible Top .....	110	Hose Clamps .....	45	Seat Covers .....	4-7	Wheels.....	14
Convertible Top Boot.....	111			Seat Foam .....	7	Windlace .....	9
Cowl Cap .....	88	Ignition Switch .....	58, 65	Seat Tracks.....	114	Window Regulator.....	96
Cowl Repair Kit.....	54	Instrument Cluster.....	81	Shift Boot .....	40	Window Tools .....	99
Crankshaft Pulley.....	33			Shift Lever .....	39	Windshield Moulding.....	52
Cylinder Seal Kits .....	27	Jack.....	15, 106	Shock Absorbers.....	23	Wiper Arm.....	83
				Side Scoops .....	104	Wiper Blades.....	83
		Keys .....	66	Sound Proofing - Floor .....	3	Wire Clip Kits .....	73
Dash.....	10/54	Kick Panel Carpet .....	3, 60	Spare Wheel Parts .....	15	Wiring.....	73
Dash Bulbs .....	72	Kick Panels .....	13, 60	Spark Plug Wires.....	66, 73	Wood Grain Kit.....	56
Dash Mat .....	10, 55			Speakers.....	61-62, 149-150		
Decals .....	126-129			Speedometer Cable.....	82		
Dipsticks.....	36			Starter Solenoid .....	64, 83		
Disc Brake Conversion Kit.	17			Steering Parts.....	25		
Distributor Cap.....	66			Steering Wheel .....	26		
Door Handles .....	95						
Door Hinges .....	96						
Door Panels.....	8, 101, 102						
Door Rubber Kits .....	92, 118						
Drag Link .....	24						
Drip Rail Mouldings.....	100, 113						
Dyes .....	151						



*Dedicated to Excellence*

**Supplying  
Concours-Quality  
Upholstery, Parts  
and Accessories  
for Over 40 Years!**



## Restoration Parts & Accessories



**Order your  
FREE  
Catalog!**



- ★ 1954-57 Ford Passenger
- ★ 1955-57 Thunderbird
- ★ 1958-66 Thunderbird
- ★ 1965-73 Mustang

**Toll Free Ordering!  
(800) 854-0393**

Larry's Thunderbird & Mustang Parts  
1180 California Ave #B • Corona, CA 92881  
Info: (951) 270-3223 • 24-Hour FAX (951) 270-3224



**Find us on the Web at: [www.larrystbird.com](http://www.larrystbird.com)**

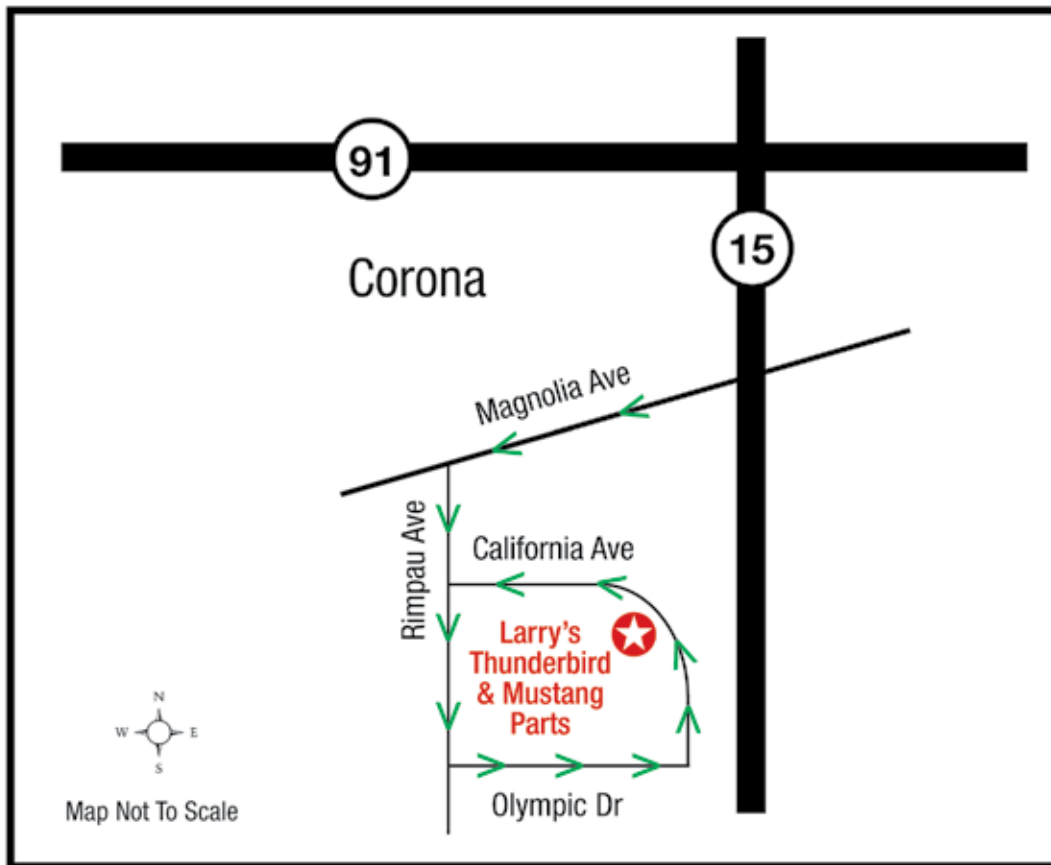


1180 California Ave. #B  
Corona, California 92881

**Order Toll Free: (800) 854-0393**

**In California Call (951) 270-3223 • 24-Hour FAX: (951) 270-3224**

**Contact us via e-mail: [info@larrystbird.com](mailto:info@larrystbird.com)**



**Our Address:**

1180 California Ave. #B  
Corona, California 92881

**Store Hours:**

Monday-Friday 7:00am to 5:00pm

**Find us on the Web! [www.larrystbird.com](http://www.larrystbird.com)**

# Ordering Information

## Placing Orders

It is our goal to ship all orders within one day of receipt. If we are out of stock on a part and cannot supply within a reasonable length of time, we will refund your check or money order. All VISA®, MasterCard™, Discovercard®, and American Express orders will be accepted. Personal checks are welcome, but we may have to hold the order for 14 days for check clearance. All COD Orders must be paid by certified funds. The shippers will not accept cash. There is an extra charge of \$9.00 for each COD package.

## To Order by Telephone

**Call Toll Free (800) 854-0393.** Have your credit card ready. Our phone ordering hours are Monday thru Friday: 7am to 5pm.

To Order by Fax Complete the Order Form and FAX 24 Hours to (951) 270-3224. Be sure to include your telephone number, credit card number, expiration date, and validation code as well as part numbers and accompanying descriptions.

## To Order by Mail

Fill out the Order Form completely and accurately, including all part numbers and accompanying descriptions and mail to: Larry's Thunderbird & Mustang Parts, 1180 California Ave. #B, Corona, CA 92881. If you are including payment with your order, be sure to allow for freight charges. Credit card numbers must be accompanied by expiration date and validation code.

## Internet Orders

Larry's catalogs are featured on our web site: [www.larrystbird.com](http://www.larrystbird.com). Follow instructions located on the site for proper ordering.

## Shipping Charges

Our shipping policy is simple. We charge according to the standard shipping rates of the carrier plus a small handling fee. In most cases we use UPS or Fedex. However, other carriers may be used depending on the destination and what is being shipped. **C.O.D. shipments will be charged an additional \$9.00 per package.** Please supply a street address. Most carriers will not deliver to a P.O. box.

## Air Delivery

For faster delivery service, we do also ship orders by 1 day, 2 day and 3 day delivery. **Delivery Services cost an additional amount, depending on size and weight of cartons.** Please specify when ordering if you would like these special shipping services.

## Foreign Shipments

Actual Shipping Charges will apply to foreign shipments. Customs fees, Duty charges, and other expenses are the responsibility of the customer.

**One Final Note:** Due to certain restrictions, we are not able to ship Hazardous Materials to any foreign countries; aerosol paint and vinyl dyes are shipped via surface delivery only and cannot be shipped via air delivery. These items will be noted by an asterisk\* where listed in the catalog.



## Returned/Refused Shipments

Customers will be responsible for all shipping charges, storage charges, and a *minimum* 10% handling fee on all refunded shipments. Merchandise returned that is not defective or damaged is subject to a *minimum* 10% restocking charge. The handling fee for parts purchased as 'used' is 15%. **No Returns Accepted on Special Order Items.**

## Damaged Merchandise/Missing Merchandise

Inspect your parts immediately upon receipt. If you should receive parts that are freight damaged or missing due to a broken box, contact the carrier (i.e. UPS, Post Office, or Freight Line) immediately. They will process your claim. **If you find a shortage in your order, you must advise us of that shortage within 7 days.** We can only accept responsibility for shortages reported within the 7-day time period. Please do not ship damaged parts back to us without prior authorization. We will do everything possible to see that you are taken care of quickly and efficiently.

## Guarantee

All new and reproduced products are guaranteed against defects in workmanship and materials. **Liability of Larry's Thunderbird & Mustang Parts is limited to the replacement of defective parts.** If you are not satisfied with your purchase and wish to make an exchange or return for refund, we ask that this be done within 30 days after purchase. If the reason for your return is our error, we will pay the shipping costs both ways. However, all parts must be returned Freight Prepaid, by way the least expensive transportation. Returns cannot be accepted on the following items: Electrical Parts, Stripe Kits, Books, or items with which installation has been attempted. **All returns must have a copy of your original invoice, as well as a letter of explanation and may be subject to a restocking charge.**

## Pricing

We attempt to maintain all prices included within this catalog, but because of normal market changes, we reserve the right to adjust prices without notice.

## Core Charges

A *Core Charge* is applied to most rebuilt items. This is in addition to the price of the part but is refundable upon supplying Larry's with your *correct* and *rebuildable* core. This is done so that we may continue to recycle good cores. If we run out of good cores, we must have your core in advance so that we can rebuild it and return it to you. **Cores must be assembled, rebuildable, authentically correct, and drained of all fluids to receive a core charge refund.**

## Change of Address/Duplicate Catalogs

If you are moving or receiving duplicate catalogs, please help us reduce waste by calling or faxing us with the correct address information. If you would like your name removed from our mailing list, call customer service at: (800) 854-0393 or e-mail us at [info@larrystbird.com](mailto:info@larrystbird.com).

## Catalog Information

We continue to maintain the largest supply of new, used and reproduced parts available anywhere for classic Thunderbirds, Ford Passenger cars and Mustangs. Our large inventory allows us to keep backorders to a minimum. We have tried to organize parts so that your ordering and restoration job is an easy one.

We continue to add new parts to our catalogs as they become available. If you are looking for a particular part and aren't able to locate it in this catalog, give us a call. It could be that the part is now available but wasn't when we put this catalog together. If you have any questions, give us a call or send a note via e-mail. We are more than happy to help meet your needs if at all possible. And thank you for your business. We appreciate it!

